

PARTS LIST FOR  
***3005 SERIES***  
***PORTABLE***  
***ELECTRIC DRIVEN/BELT DRIVE***  
COLD WATER PRESSURE WASHER

Motor Horsepower:	10 H.P.
Pump Oil Grade:	Pump Oil #AW-4085-0016
Pump Oil Capacity:	41 oz.
Nozzle Size:	5.5

This Parts Listing has been compiled for your benefit. You can be assured your new Cold Water Pressure Washer was constructed and designed with quality and performance in mind using over 25 years experience in the pressure washer business. Each component has been rigorously tested to insure the highest level of acceptance.

The contents of this Parts Listing are based on the latest product information available at the time of publication. The manufacturer reserves the right to make changes in price, color, materials, equipment, specifications or models at any time without notice.

**WARNING**

THIS IS A PROFESSIONAL HIGH PRESSURE, COLD WATER PRESSURE WASHER. CAUTION SHOULD BE OBSERVED WHEN USING OR REPAIRING THIS UNIT! READ AND FOLLOW THE SAFETY WARNINGS LISTED BELOW BEFORE ATTEMPTING ANY REPAIRS ON THIS PRESSURE WASHER!

**SAFETY WARNINGS**

1. NEVER alter or modify the equipment. Be sure any accessory items and system components being used will withstand the pressure developed. Use only genuine manufactured parts for repair of your pressure washer. Failure to do so can cause hazardous operating conditions and will VOID warranty.
2. NEVER make adjustments on machinery while the unit is connected to the engine without first removing the ignition cable from the spark plug. Turning over the machinery by hand during adjustment or cleaning might start the engine and machinery with it, causing serious injury to the operator.
3. Know how to stop and bleed pressures quickly. Be thoroughly familiar with controls.
4. Before servicing the unit, turn unit off, relieve the water pressure and allow the unit to cool down. Do not make repairs while the unit is running. Service in a clean, dry, flat area. Block the wheels to prevent the unit from moving. Be especially careful to properly dispose of any flammable materials.
5. After testing the machine, DO NOT leave the pressurized unit unattended. Shut off the unit and release trapped pressure before leaving.

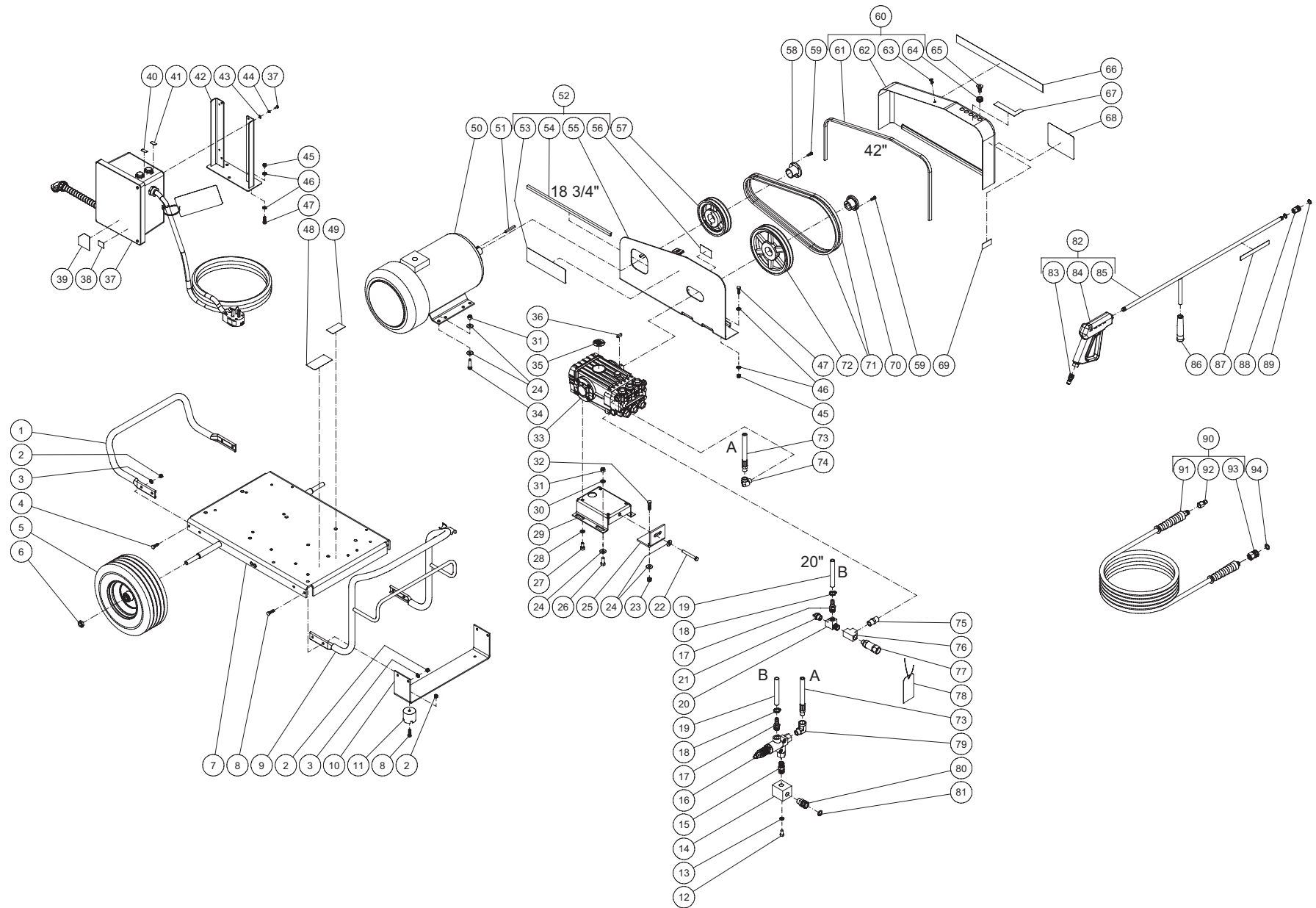
**TABLE OF CONTENTS**

<b>SPECIFICATIONS.....</b>	<b>3</b>
<b>FRAME ASSEMBLY FOR 3005 (SINGLE PHASE) .....</b>	<b>4</b>
<b>FRAME ASSEMBLY FOR 3005 (THREE PHASE).....</b>	<b>6</b>
<b>PUMP ASSEMBLY (3-0202) .....</b>	<b>8</b>
<b>UNLOADER ASSEMBLY (8-0032) .....</b>	<b>10</b>
<b>ELECTRIC BOX FOR 3005 (230 VOLT/SINGLE PHASE).....</b>	<b>12</b>
<b>WIRING SCHEMATIC FOR 3005 (230 VOLT/SINGLE PHASE).....</b>	<b>14</b>
<b>WIRING DIAGRAM FOR 3005 (230 VOLT/SINGLE PHASE).....</b>	<b>15</b>
<b>ELECTRIC BOX FOR 3005 (230 VOLT/THREE PHASE).....</b>	<b>16</b>
<b>WIRING SCHEMATIC FOR 3005 (230 VOLT/THREE PHASE).....</b>	<b>18</b>
<b>WIRING DIAGRAM FOR 3005 (230 VOLT/THREE PHASE).....</b>	<b>19</b>
<b>ELECTRIC BOX FOR 3005 (CX-0062 OPTION) (480 VOLT/THREE PHASE) .....</b>	<b>20</b>
<b>WIRING SCHEMATIC FOR 30053 (CX-0062 OPTION) (480 VOLT/THREE PHASE).....</b>	<b>22</b>
<b>WIRING DIAGRAM FOR 3005 (CX-0062 OPTION) (480 VOLT/THREE PHASE).....</b>	<b>23</b>

## SPECIFICATIONS

Operating Pressure (PSI/Bar):	3000/206.8	
High Pressure Nozzle:	5.5	
Water Volume (GPM/lpm):	4.8/18.2	
Motor:	TEFC	
Horsepower	10.0	
Voltage	230	230/460
RPM	1750	
Phase	Single	Three
Amperage	41.5	26.0/13.0
Service Factor	1.00	1.15
Pump:	Belt or Direct Driven, Oil Bath, Triplex Piston	
Oil Type	Pump Oil #AW-4085-0016	
Oil Capacity (oz./liters)	41/1.2	
Plungers	Ceramic	
Manifold	Forged Brass	
Valves	Stainless Steel	
Unloader:	Pre-set at the factory	
Heat Dump Valve:	Relieves heated water during unloader bypass stage	
Unit Net Weight (lbs/Kg)	396/179	376/170
Unit Shipping Weight (lbs/Kg)	470/213	450/204
Unit Net Dimension (in/cm)	45.5Lx32.5Wx30H/115.5Lx82.5Wx76.5H	
Unit Shipping Dimension (in/cm)	48.5Lx30.5Wx35.5H/123Lx77.5Wx90H	

# FRAME ASSEMBLY FOR 3005 (SINGLE PHASE)

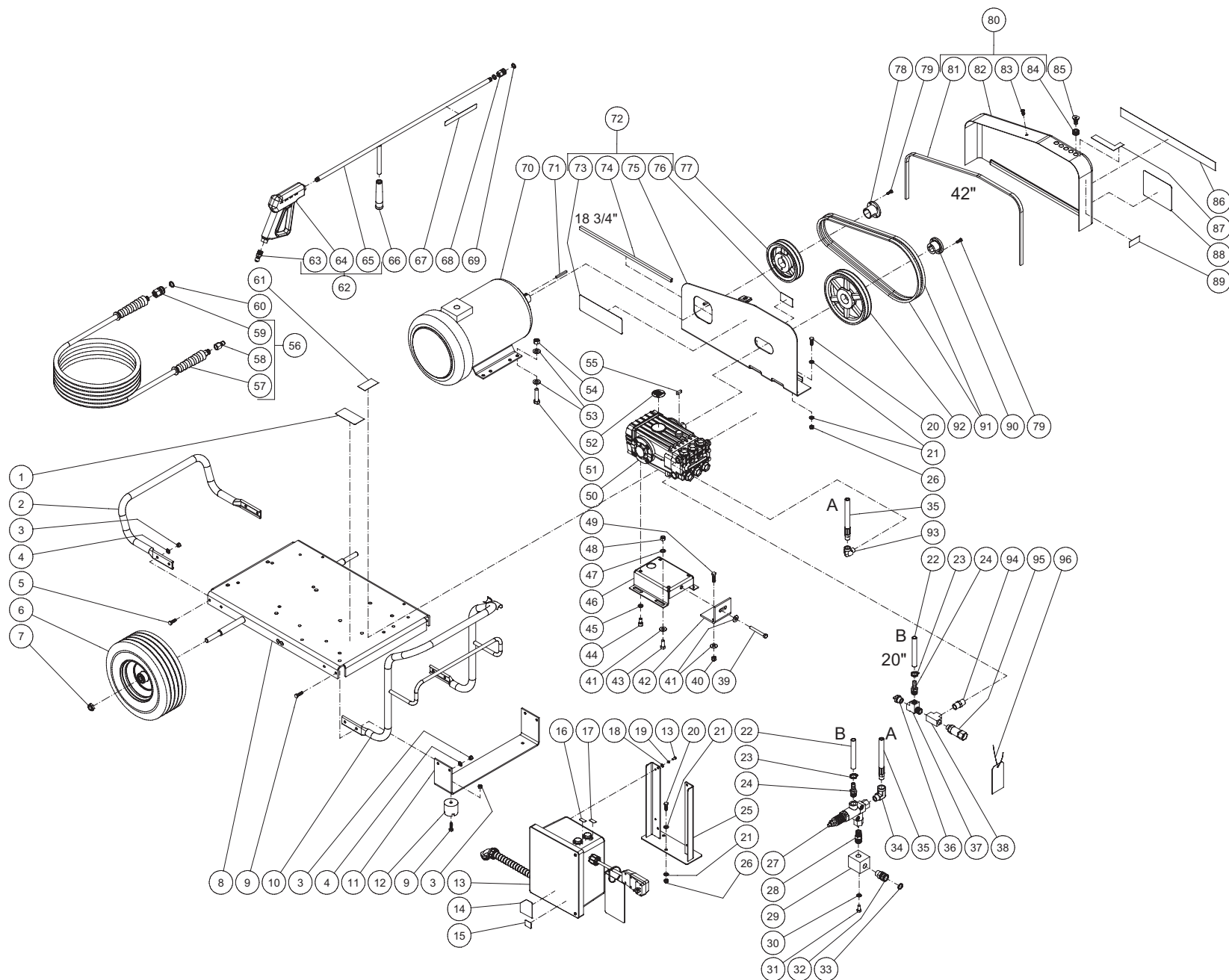


DC-3005-W0E2G 063017 JJR

FRAME ASSEMBLY							
ITEM	DESCRIPTION	PART #	QTY	ITEM	DESCRIPTION	PART #	QTY
1	REAR HANDLE	7-0105A01	1	50	MOTOR 10HP	2-0094	1
2	LOCKNUT	30-0157	10	51	KEY	43-0078	1
3	WASHER	28-0003	8	52	BELTGUARD BACK ASSY	851-0335	1
4	BOLT	27-0067	4	53	DECAL-WARNING/CAUTION/OPERATION	N/A	1
5	WHEEL	14-0150	2	54	EDGING *(TWO FEET REQUIRED)	33-0020	1
6	LOCKNUT	30-0117	2	55	BELT GUARD BACK	N/A	1
7	BASEPLATE	5-0334A01	1	56	DECAL - BELTGUARD IN PLACE (SEE 71-1044)	N/A	1
8	BOLT	27-0068	6	57	SHEAVE	10-0104	1
9	FRONT HANDLE	7-0102A01	1	58	BUSHING	9-0008	1
10	BRACKET	13-0015A01	1	59	BOLT	27-0015	4
11	ISOLATOR	14-0008	2	60	BELTGUARD COVER ASSY	850-0242	1
12	BOLT	27-0116	2	61	EDGING *(FOUR REQUIRED)	33-0020	1
13	LOCKWASHER	29-0008	2	62	BELTGUARD COVER	N/A	1
14	MANIFOLD BLOCK	51-0012	1	63	FASTENER	33-0197	1
15	NIPPLE	24-0031	1	64	GROMMET	33-0001	5
16	UNLOADER	8-0032	1	65	NOZZLE	18-0410	1
17	BARB	23-0045	2	-	NOZZLE	18-0411	1
18	HOSE CLAMP	42-0011	2	-	NOZZLE	18-0412	1
19	HOSE *(TWO FEET REQUIRED)	15-0007	1	-	NOZZLE	18-0413	1
20	TEE	23-0124	1	66	DECAL - STRIPE	N/A	1
21	RELIEF VALVE	22-0005	1	67	DECAL - NOZZLE	N/A	1
22	BOLT	27-0576	1	68	DECAL - LOGO	N/A	1
23	LOCKNUT	30-0159	2	69	DECAL - MADE IN USA	34-3553	1
24	WASHER	28-0023	15	70	BUSHING	9-0017	1
25	BRACKET	13-0003A01	1	71	BELT	11-0089	2
26	BOLT	27-0166	4	72	SHEAVE	10-0007	1
27	BOLT	27-8471	4	73	HIGH PRESSURE HOSE	15-0024	1
28	LOCKWASHER	29-0055	4	74	ELBOW	24-0105	1
29	PUMP BRACKET	5-0101A01	1	75	NIPPLE	23-0012	1
30	WASHER	28-0030	4	76	TEE	23-0043	1
31	LOCKNUT	30-0161	8	77	FILTER	19-0206	1
32	BOLT	27-0118	2	78	TAG - WATER SUPPLY INLET (E)	N/A	1
33	PUMP	3-0202	1	79	ELBOW	24-0006	1
34	BOLT	27-0119	4	80	QUICK CONNECT SOCKET	17-0029	1
35	DECAL - PUMP	N/A	1	81	O-RING	25-0123	1
36	KEY	43-0028	1	82	GUN/WAND ASSEMBLY	851-0095	1
37	STARTER ENCLOSURE	N/A	1	83	QUICK CONNECT	17-0005	1
38	DECAL - WARNING REMOVAL OF COVER	N/A	1	84	GUN	16-0001	1
39	DECAL - DO NOT SPRAY	N/A	1	85	WAND (INCLUDES GRIP & QUICK CONNECT)	16-0418	1
40	DECAL - RUN	N/A	1	86	GRIP	7-0002	1
41	DECAL - STOP	N/A	1	87	DECAL - RISK OF INJECTION (SEE 71-1044)	N/A	1
42	BRACKET	13-0227A01	1	88	QUICK CONNECT	17-0001	1
43	WASHER	28-0001	4	89	O-RING	25-0122	1
44	STAR WASHER	28-1009	4	90	HOSE ASSEMBLY	851-0338	1
45	LOCKNUT	30-0157	7	91	HOSE	15-0209	1
46	WASHER	28-0003	14	92	QUICK CONNECT	17-0006	1
47	BOLT	27-0067	7	93	QC SOCKET	17-0004	1
48	DECAL- SILVER STICKER	N/A	1	94	O-RING	25-0123	1
49	DECAL	N/A	1	-	DECAL SET	71-1044	1

\*MUST ORDER IN ONE FOOT LENGTHS

# FRAME ASSEMBLY FOR 3005 (THREE PHASE)

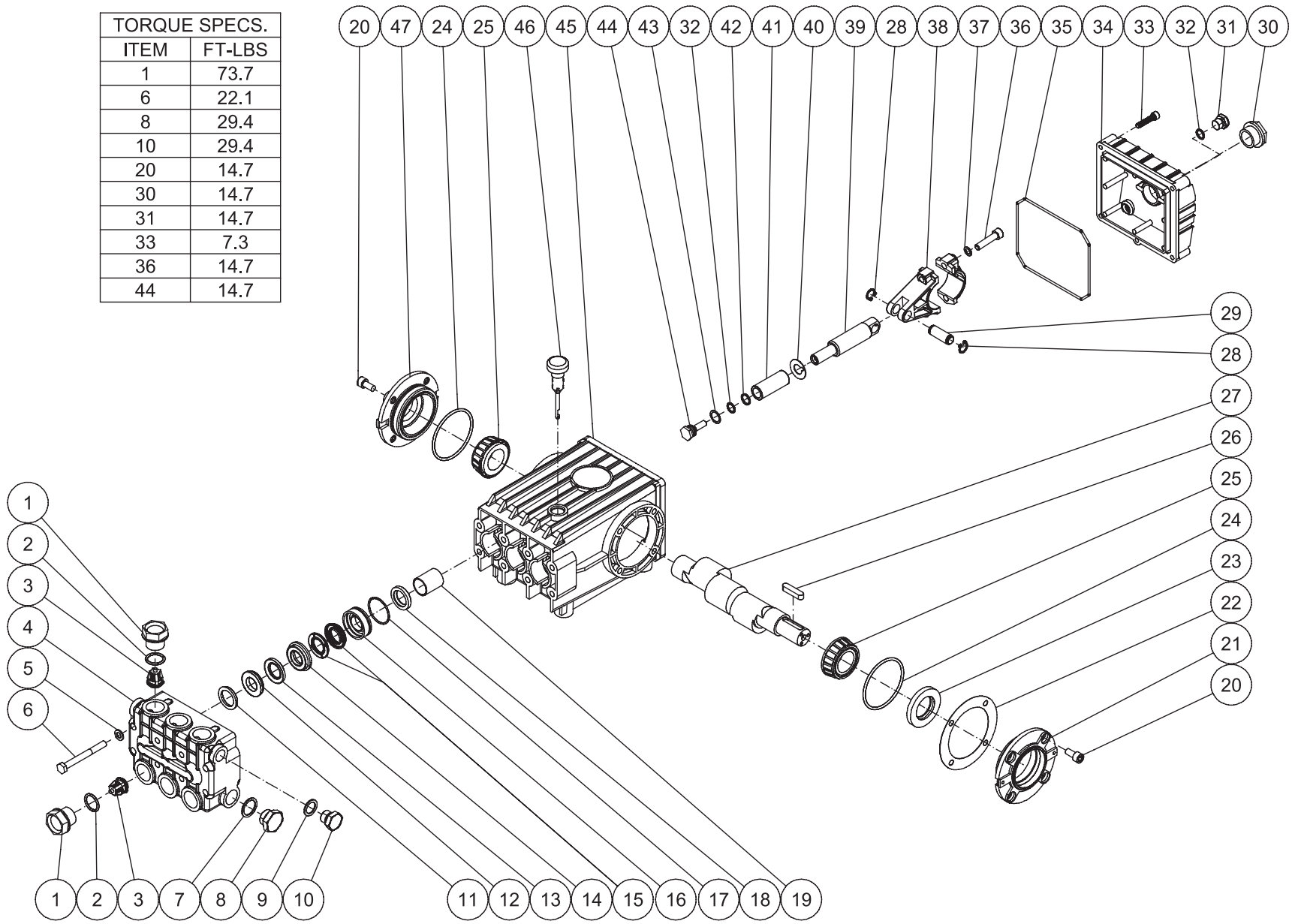


DC-3005-W0E3G 062017 JJR

FRAME ASSEMBLY							
ITEM	DESCRIPTION	PART #	QTY	ITEM	DESCRIPTION	PART #	QTY
1	DECAL- SILVER STICKER	N/A	1	51	BOLT	27-0220	4
2	REAR HANDLE	7-0105A01	1	52	DECAL - PUMP	N/A	1
3	LOCKNUT	30-0157	10	53	WASHER	28-0006	8
4	WASHER	28-0003	8	54	NUT	30-0163	4
5	BOLT	27-0067	4	55	KEY	43-0028	1
6	WHEEL	14-0150	2	56	HOSE ASSEMBLY	851-0338	1
7	LOCKNUT	30-0117	2	57	HOSE	15-0209	1
8	BASEPLATE	5-0334A01	1	58	QUICK CONNECT	17-0006	1
9	BOLT	27-0068	6	59	QC SOCKET	17-0004	1
10	FRONT HANDLE	7-0102A01	1	60	O-RING	25-0123	1
11	BRACKET	13-0015A01	1	61	DECAL	N/A	1
12	ISOLATOR	14-0008	2	62	GUN/WAND ASSEMBLY	851-0095	1
13	STARTER ENCLOSURE	N/A	1	63	QUICK CONNECT	17-0005	1
-	STARTER ENCLOSURE	N/A	1	64	GUN	16-0001	1
14	DECAL - DO NOT SPRAY	N/A	1	65	WAND (INCLUDES GRIP & QUICK CONNECT)	16-0418	1
15	DECAL - WARNING REMOVAL OF COVER	N/A	1	66	GRIP	7-0002	1
16	DECAL - RUN	N/A	1	67	DECAL - RISK OF INJECTION (SEE 71-1044)	N/A	1
17	DECAL - STOP	N/A	1	68	QUICK CONNECT	17-0001	1
18	WASHER	28-0001	4	69	O-RING	25-0122	1
19	STAR WASHER	28-1009	4	70	MOTOR	2-0095	1
20	BOLT	27-0067	7	71	KEY	43-0078	1
21	WASHER	28-0003	14	72	BELTGUARD BACK ASSY	851-0335	1
22	HOSE *(TWO FEET REQUIRED)	15-0007	2	73	DECAL-WARNING/CAUTION/OPERATION	N/A	1
23	HOSE CLAMP	42-0011	2	74	EDGING *(TWO FEET REQUIRED)	33-0020	1
24	BARB	23-0045	2	75	BELT GUARD BACK	N/A	1
25	BRACKET	13-0227A01	1	76	DECAL - BELTGUARD IN PLACE (SEE 71-1044)	N/A	1
26	LOCKNUT	30-0157	7	77	SHEAVE	10-0104	1
27	UNLOADER	8-0032	1	78	BUSHING	9-0008	1
28	NIPPLE	24-0031	1	79	BOLT	27-0015	4
29	MANIFOLD BLOCK	51-0012	1	80	BELTGUARD COVER ASSY	850-0242	1
30	LOCKWASHER	29-0008	2	81	EDGING *(FOUR FEET REQUIRED)	33-0020	1
31	BOLT	27-0116	2	82	BELTGUARD COVER	N/A	1
32	QUICK CONNECT SOCKET	17-0029	1	83	FASTENER	33-0197	1
33	O-RING	25-0123	1	84	GROMMET	33-0001	5
34	ELBOW	24-0006	1	85	NOZZLE	18-0410	1
35	HIGH PRESSURE HOSE	15-0024	1	-	NOZZLE	18-0411	1
36	RELIEF VALVE	22-0005	1	-	NOZZLE	18-0412	1
37	TEE	23-0124	1	-	NOZZLE	18-0413	1
38	TEE	23-0043	1	86	DECAL - STRIPE	N/A	1
39	BOLT	27-0576	1	87	DECAL - NOZZLE	N/A	1
40	LOCKNUT	30-0159	2	88	DECAL - LOGO	N/A	1
41	WASHER	28-0023	7	89	DECAL - MADE IN USA	34-3553	1
42	BRACKET	13-0003A01	1	90	BUSHING	9-0017	1
43	BOLT	27-0166	4	91	BELT	11-0089	2
44	BOLT	27-8471	4	92	SHEAVE	10-0007	1
45	LOCKWASHER	29-0055	4	93	ELBOW	24-0105	1
46	PUMP BRACKET	5-0101A01	1	94	NIPPLE	23-0012	1
47	WASHER	28-0030	4	95	FILTER	19-0206	1
48	LOCKNUT	30-0161	4	96	TAG - WATER SUPPLY INLET (E)	N/A	1
49	BOLT	27-0118	2	-	DECAL SET	71-1044	1
50	PUMP	3-0202	1	*MUST ORDER IN ONE FOOT LENGTHS			

# PUMP ASSEMBLY (3-0202)

TORQUE SPECS.	
ITEM	FT-LBS
1	73.7
6	22.1
8	29.4
10	29.4
20	14.7
30	14.7
31	14.7
33	7.3
36	14.7
44	14.7



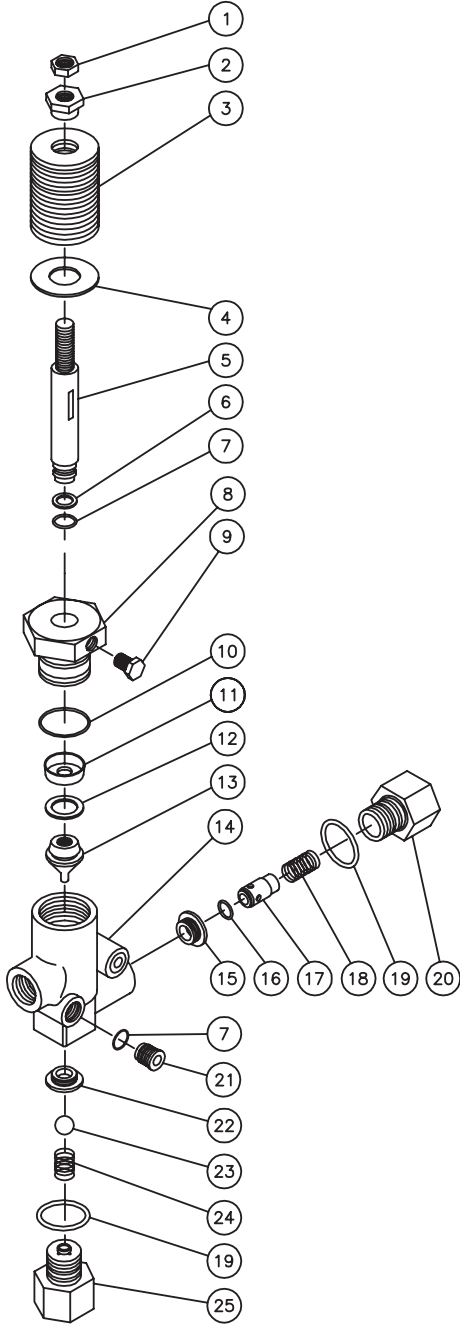
3-0202\_3-0203 082713



PUMP ASSEMBLY							
ITEM	DESCRIPTION	PART #	QTY	ITEM	DESCRIPTION	PART #	QTY
1	VALVE CAP	46-0889	6	25	BEARING	48-0012	2
2	O-RING	25-0012	6	26	KEY	43-0048	1
3	VALVE (SEE KIT 70-0009)	SEE KIT	6	27	CRANKSHAFT	N/A	1
4	MANIFOLD	46-0890	1	28	RETAINING RING	46-0103	6
5	WASHER	28-1039	8	29	CONNECTING ROD PIN	43-0032	3
6	BOLT	27-8185	8	30	OIL LEVEL INDICATOR	46-0114	1
7	WASHER	28-1038	2	31	PLUG	39-0017	1
8	PLUG	39-0019	2	32	O-RING	25-0014	4
9	WASHER	28-1002	2	33	BOLT	27-8404	5
10	PLUG	39-0018	2	34	CRANKCASE OPEN COVER	46-0295	1
11	HEAD RING (SEE KIT 70-0030 AND 852-0122)	SEE KIT	3	35	O-RING	25-0339	1
12	V-PACKING SUPPORT (SEE KIT 70-0147 AND 852-0122)	SEE KIT	3	36	BOLT	27-8435	6
13	O-RING (SEE KIT 70-0147 AND 70-0148 AND 852-0122)	SEE KIT	3	37	LOCKWASHER	29-0154	6
14	HIGH PRESSURE INTERMEDIATE SEAL RETAINER (SEE KIT 70-0148)	SEE KIT	3	38	CONNECTING ROD	46-0051	3
15	PRESSURE SEAL (SEE KIT 70-0147 AND 852-0122)	SEE KIT	3	39	PISTON ROD	46-0056	3
16	LOW PRESSURE SEAL RETAINER	46-0057	3	40	SLINGER WASHER	46-0146	3
17	O-RING (SEE KIT 852-0122)	SEE KIT	3	41	PLUNGER	46-0052	3
18	OIL SEAL	26-0047	3	42	BACK-UP RING	46-0109	3
19	BUSHING	9-0029	3	43	WASHER	28-0400	3
20	BOLT	27-8431	8	44	NUT / PISTON	46-0069	3
21	CRANKCASE COVER	46-0296	1	45	CRANKCASE	46-0047	1
22	SHIM	46-0113	1	46	OIL DIP STICK	46-0144	1
23	OIL SEAL	26-0049	1	47	CRANKCASE COVER	46-0336	1
24	O-RING	25-0013	2				

REPLACEMENT KITS				
KIT#	DESCRIPTION	ITEMS	# OF ASSEMBLIES	# OF CYLINDERS
70-0009	VALVES	3	6	3
70-0030	HEAD RING	11	3	3
70-0147	V-PACKING	12, 13, 15	3	3
70-0148	INTERMEDIATE RETAINER	13, 14	3	3
852-0122	V-PACKING ASSY	11-13, 15, 17	3	3

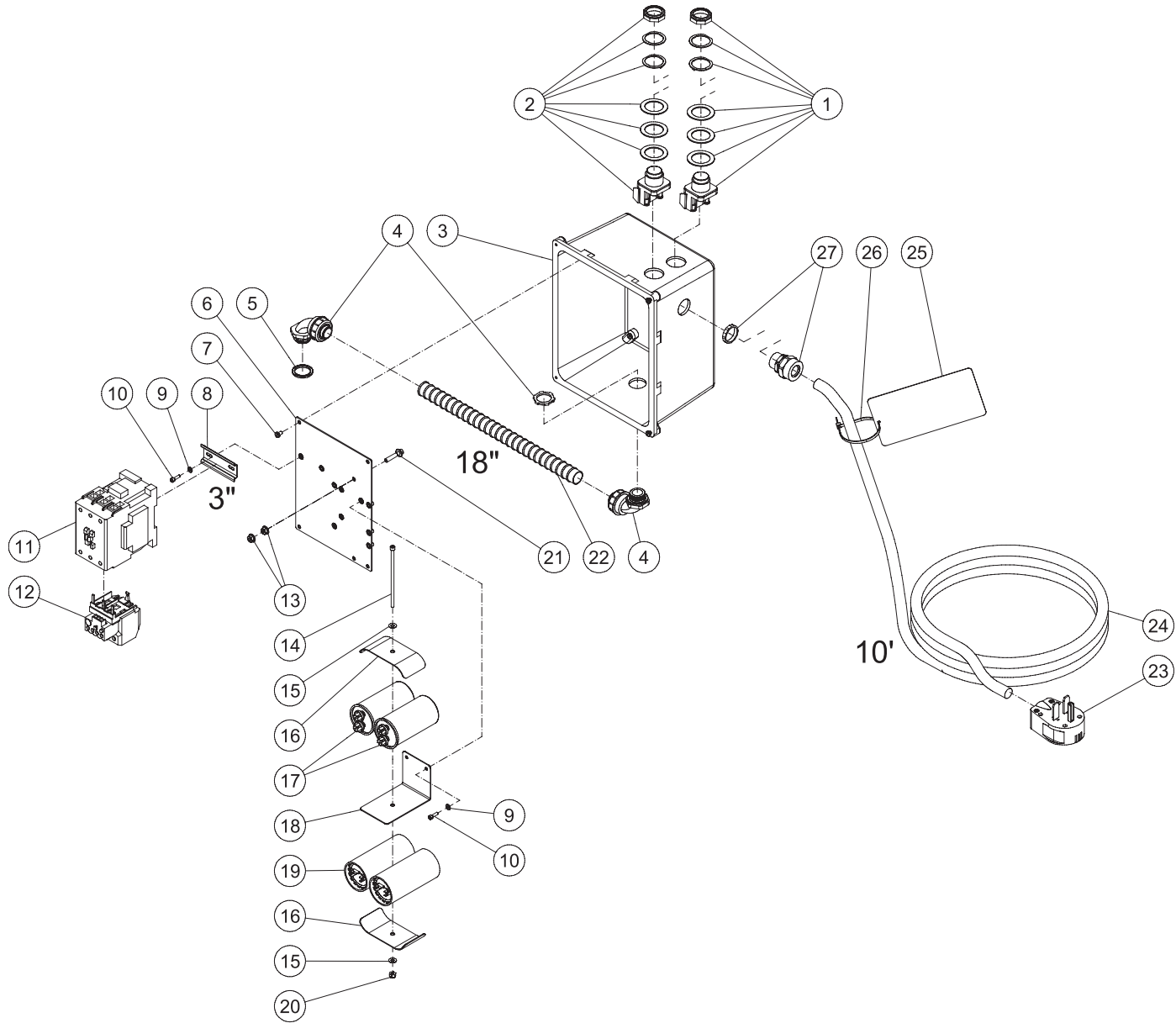
UNLOADER ASSEMBLY (8-0032)



8-0032 061113 MLK			
UNLOADER ASSEMBLY (8-0032)			
REF.#	DESCRIPTION	PART #	QTY.
1	LOCKNUT	30-3058	1
2	ADJUSTING NUT	8-0089	1
3	SPRING WASHERS - ORANGE	8-0009	15
4	WASHER	28-0250	1
5	VALVE STEM	8-0037	1
6	BACKUP RING (SEE KIT 70-0044)	8-0038	1
7	O-RING (SEE KIT 70-0044)	25-0009	5
8	VALVE CAP	8-0036	1
9	SET SCREW	8-0084	1
10	O-RING (SEE KIT 70-0044)	25-0008	1
11	CUP (SEE KIT 70-0044)	8-0034	1
12	BACK-UP RING (SEE KIT 70-0044)	8-0040	1
13	PISTON	8-0039	1
14	VALVE BODY	8-0164	1
15	OUTLET SEAT	8-0006	1
16	O-RING (SEE KIT 70-0044)	25-0011	1
17	OUTLET VALVE	8-0004	1
18	SPRING	49-0016	1
19	O-RING (SEE KIT 70-0044)	25-0010	2
20	OUTLET RETAINER	8-0003	1
21	BRASS PLUG	8-0011	4
22	VALVE SEAT	8-0005	1
23	BALL	8-0041	1
24	SPRING	49-0015	1
25	INLET RETAINER	8-0165	1

REPLACEMENT KITS			
KIT#	DESCRIPTION	ITEMS	QTY
70-0044	UNLOADER KIT	6, 7, 10-12, 16, 19	2, 5, 1, 1, 1, 1, 2

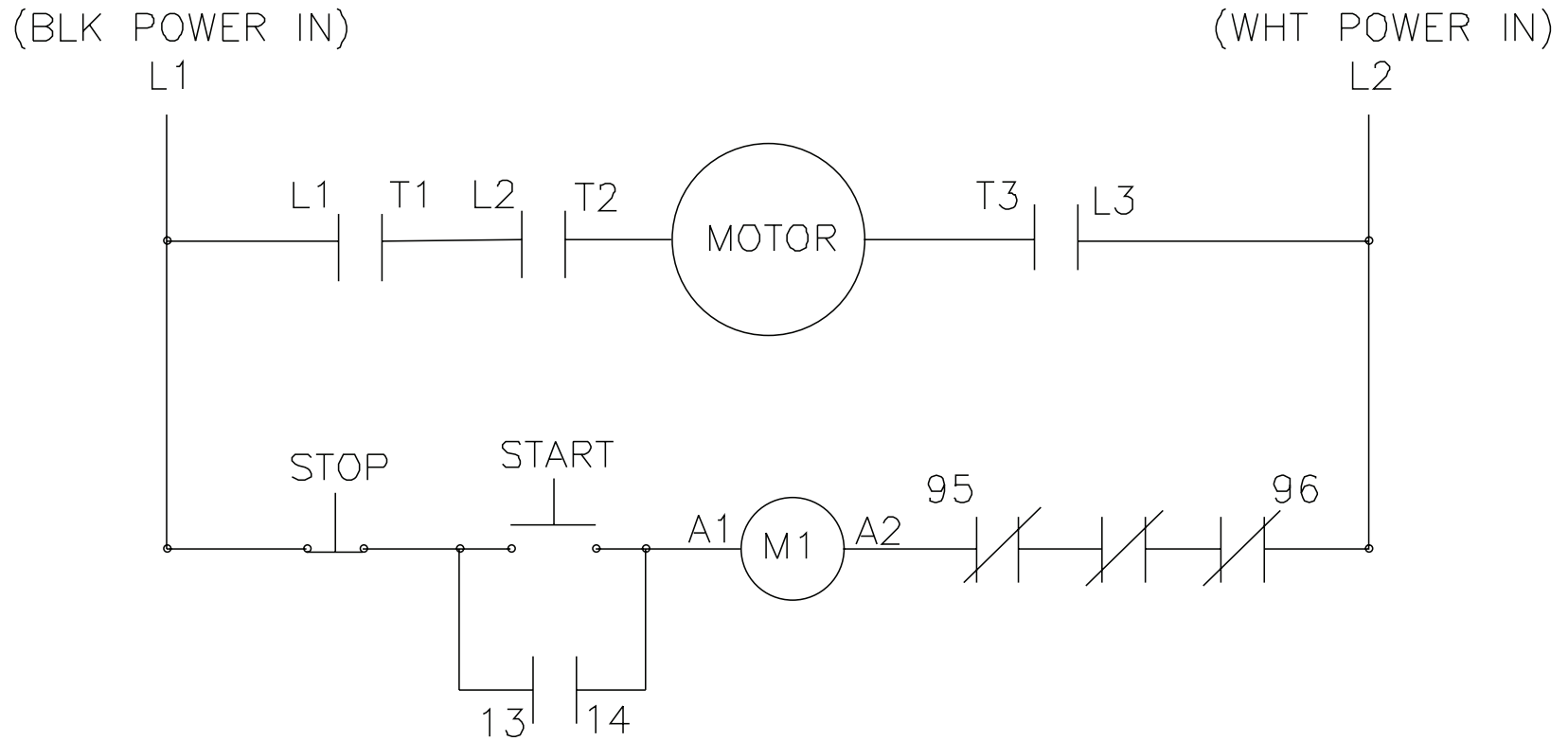
# ELECTRIC BOX FOR 3005 (230 VOLT/SINGLE PHASE)



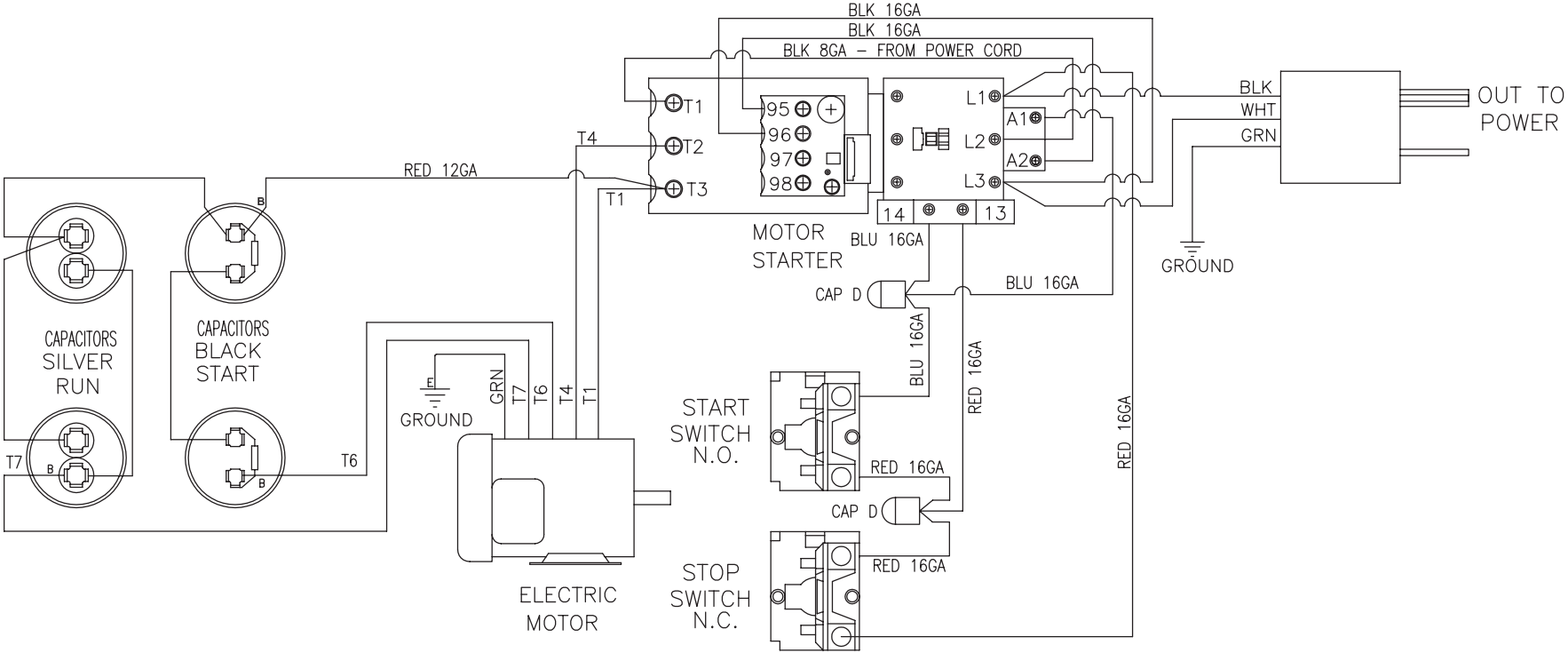
CW-A-0008 101316 ALC

CW-A-0008 101316 ALC			
ELECTRIC BOX			
ITEM	TITLE	PART #	QTY
1	SWITCH - RED	32-0306	1
2	SWITCH - GREEN	32-0305	1
3	ELECTRIC BOX	32-1119	1
4	CONDUIT ELBOW	32-0487	2
5	GASKET	26-0314	1
6	ELECTRIC PANEL	20-1293A06	1
7	BOLT	N/A	4
8	DIN RAIL *(ONE FOOT REQUIRED)	32-0316	1
9	WASHER	28-0010	4
10	SCREW	27-8835	4
11	CONTACTOR	32-0700	1
12	OVERLOAD	32-0490	1
13	NUT	30-3022	2
14	BOLT	27-0759	1
15	WASHER	28-0001	2
16	CAPACITOR CLAMP	20-0467	2
17	CAPACITOR	N/A	2
18	BRACKET - CAPACITORS	20-0556A06	1
19	CAPACITOR	N/A	2
20	NUT	30-0154	1
21	BOLT	27-8898	1
22	CONDUIT FLEX *(TWO FEET REQUIRED)	32-0486	1
23	PLUG	32-0012	1
24	CORD *(TEN FEET REQUIRED)	32-0021	1
25	TAG - WARNING RISK OF ELECTROCUTION	34-1035	1
26	CABLE TIE	33-0022	1
27	BUSHING	32-0040	1
*MUST ORDER IN ONE FOOT LENGTHS			

# WIRING SCHEMATIC FOR 3005 (230 VOLT/SINGLE PHASE)

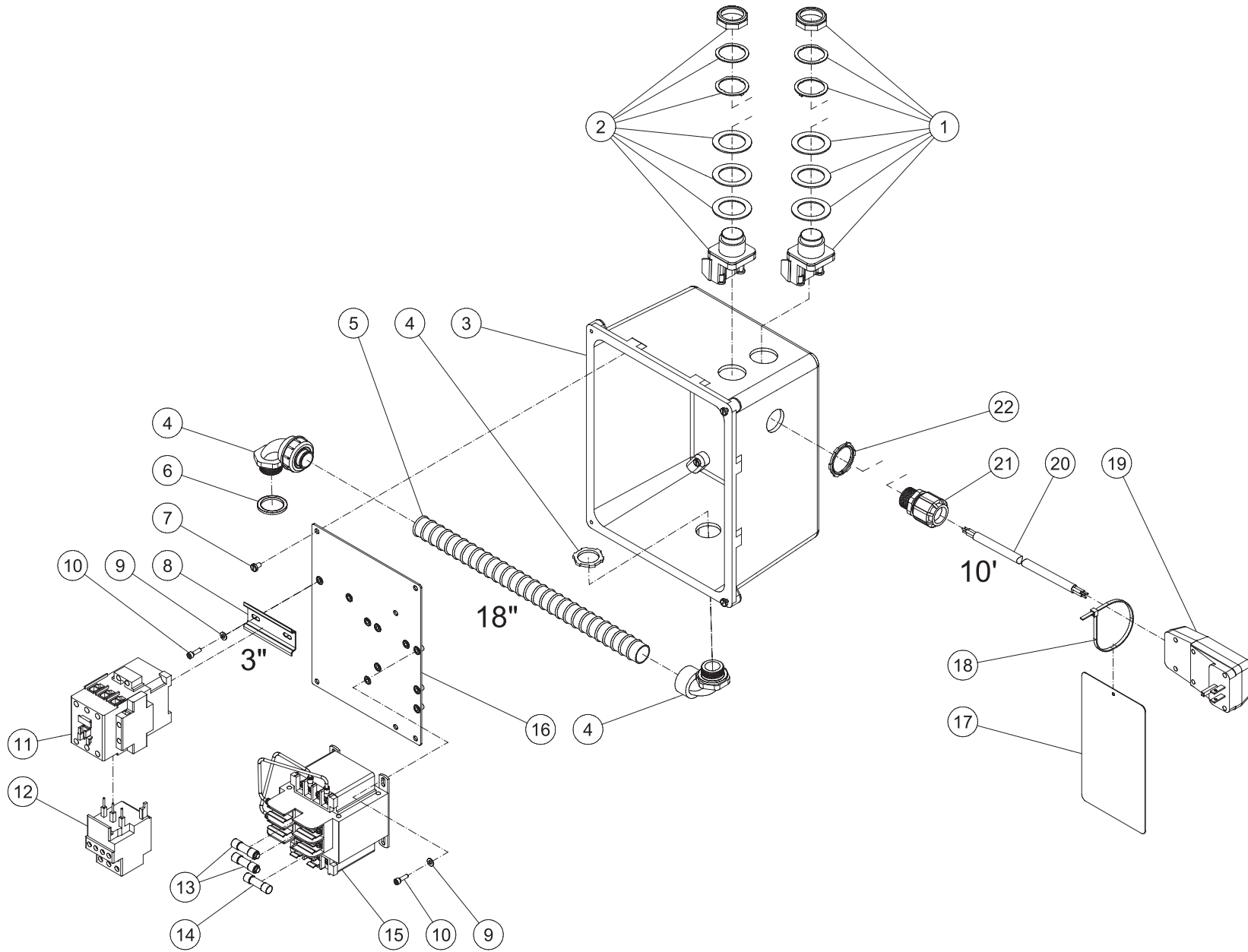


# WIRING DIAGRAM FOR 3005 (230 VOLT/SINGLE PHASE)



CW-WD-0005-D 101916 ALC

# ELECTRIC BOX FOR 3005 (230 VOLT/THREE PHASE)

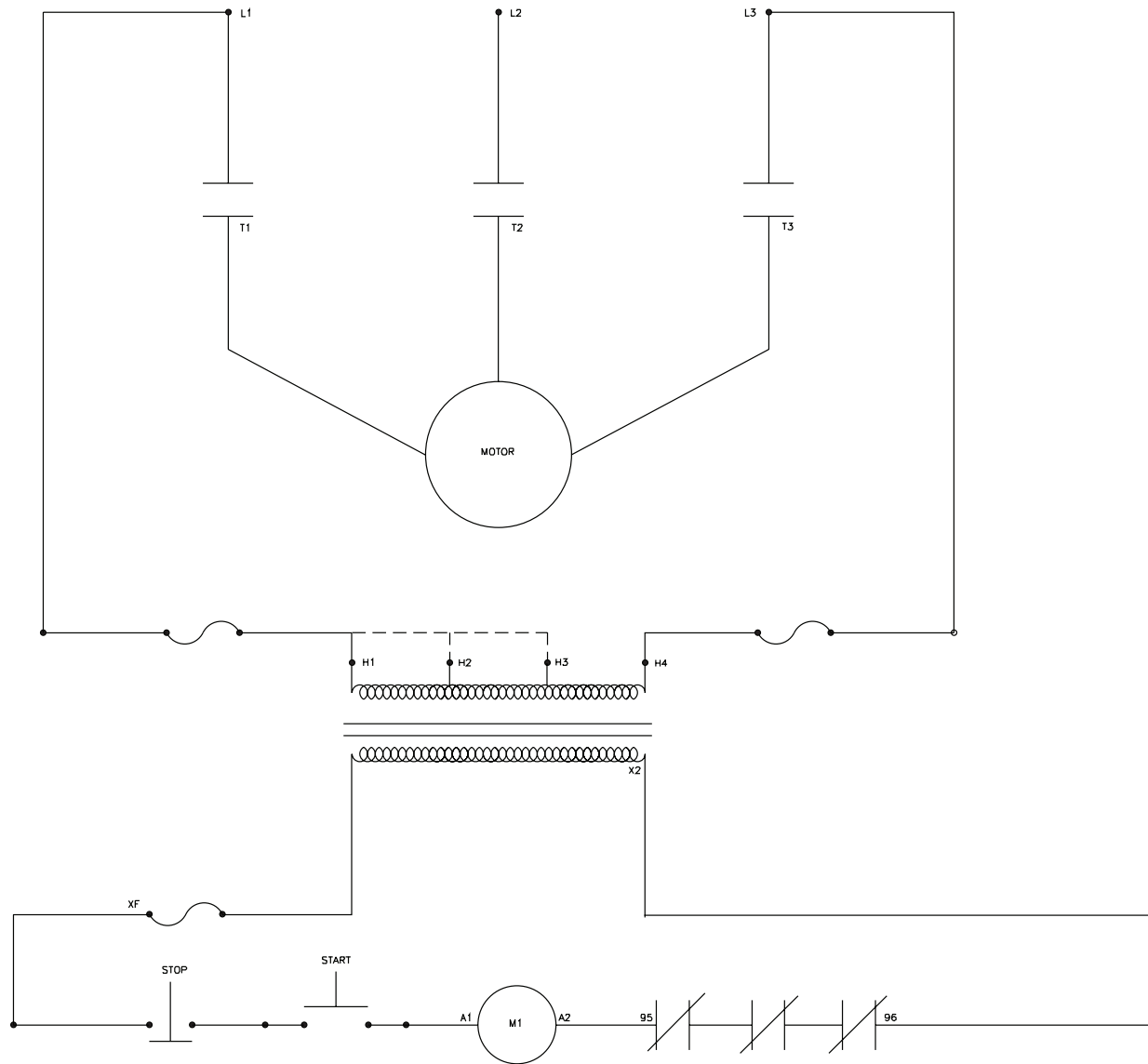


CW-A-0006 101316 ALC



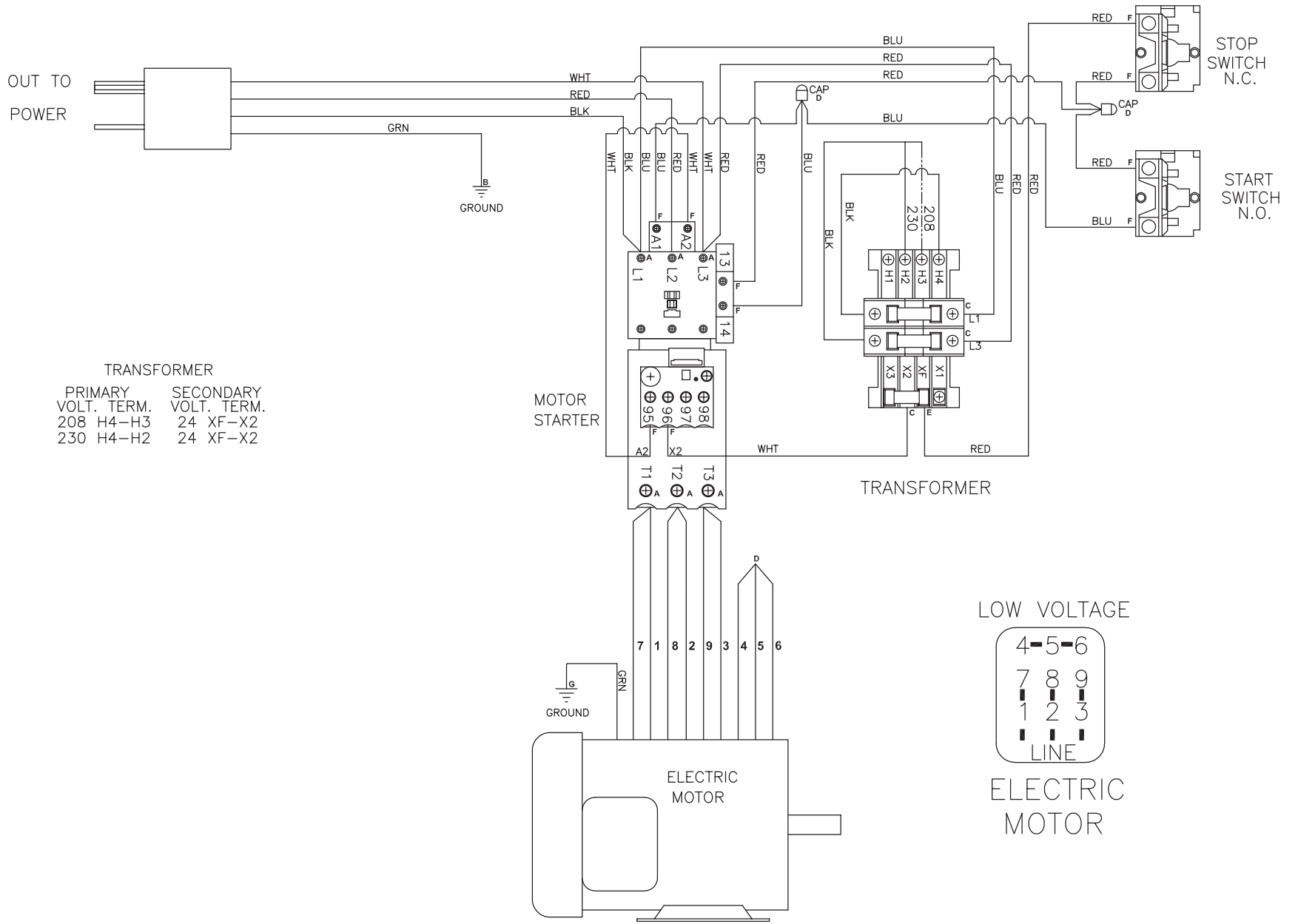
CW-A-0006 101316 ALC			
ELECTRIC BOX			
ITEM	TITLE	PART #	QTY
1	SWITCH - RED	32-0306	1
2	SWITCH - GREEN	32-0305	1
3	ELECTRIC BOX	32-1119	1
4	CONDUIT ELBOW	32-0487	2
5	CONDUIT FLEX *(TWO FEET REQUIRED)	32-0486	1
6	GASKET	26-0314	1
7	BOLT (W/ BOX)	N/A	1
8	DIN RAIL *(ONE FOOT REQUIRED)	32-0316	1
9	WASHER	28-0010	6
10	SCREW	27-8835	6
11	CONTACTOR - 30AMP	32-0597	1
12	OVERLOAD	32-1074	1
13	FUSE	32-0469	2
14	FUSE	32-0619	1
15	TRANSFORMER	32-0618	1
16	ELECTRIC PANEL	20-1293A06	1
17	TAG - WARNING RISK OF ELECTROCUTION	34-1035	1
18	CABLE TIE	33-0022	1
19	PLUG	32-0647	1
20	CORD *(TEN FEET REQUIRED)	32-0123	1
21	CORD RELIEF	9-0048	1
22	NUT	32-0515	1
*MUST OREDER IN ONE FOOT LENGTHS			

# WIRING SCHEMATIC FOR 3005 (230 VOLT/THREE PHASE)



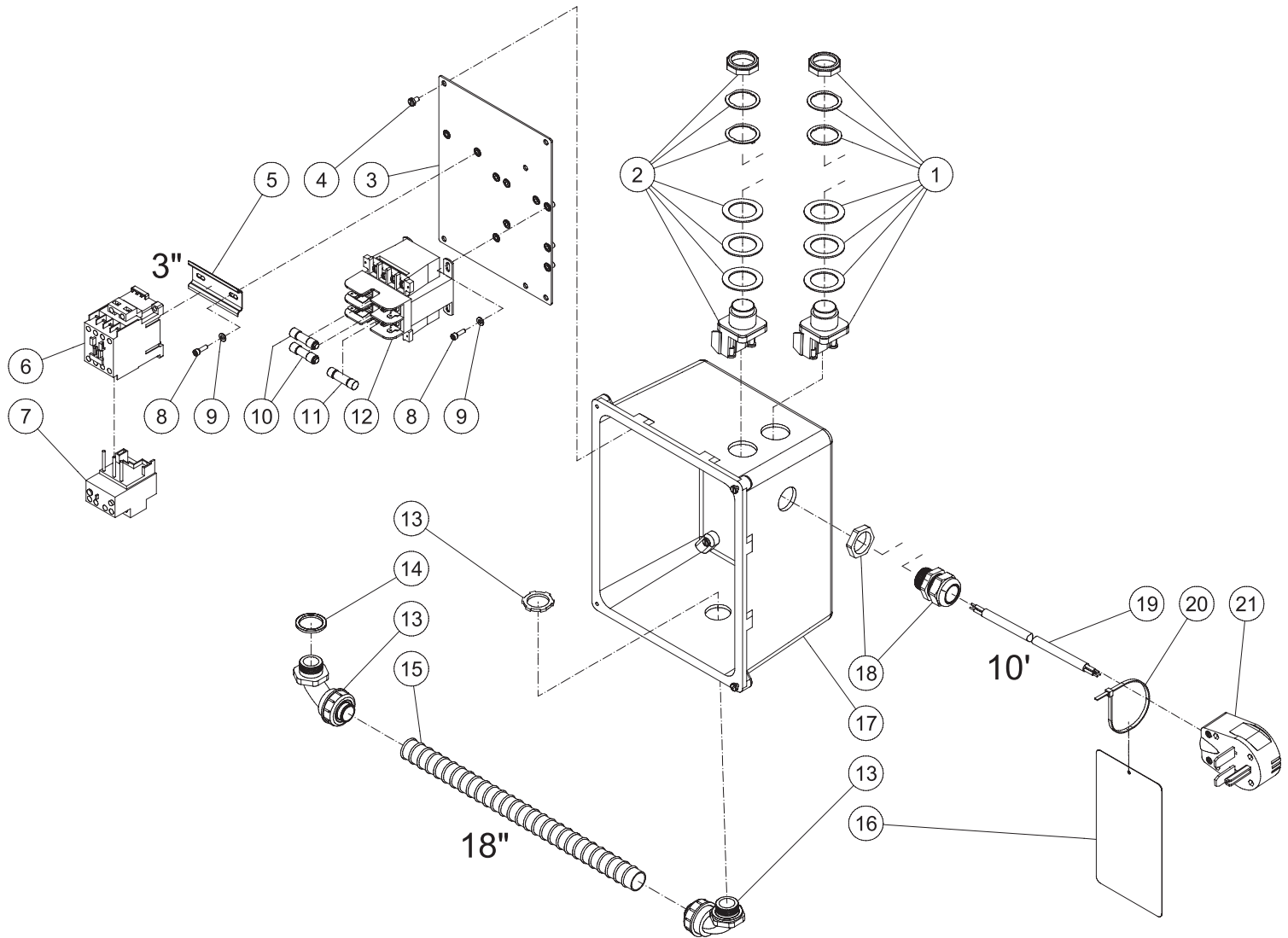
CW-WD-0001-112700-RD

# WIRING DIAGRAM FOR 3005 (230 VOLT/THREE PHASE)



CW-WD-0002-120517 JRC

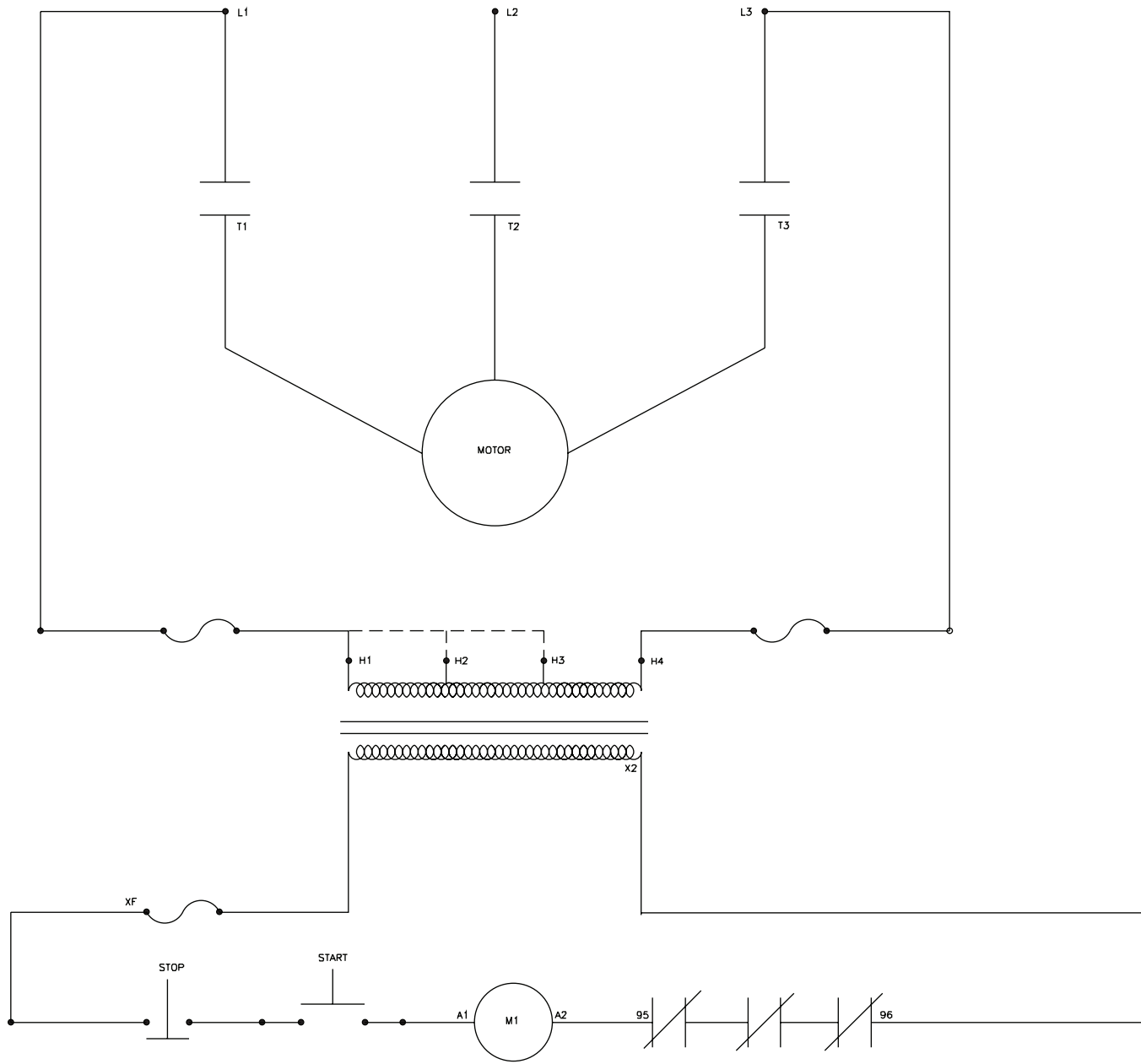
# ELECTRIC BOX FOR 3005 (CX-0062 OPTION) (480 VOLT/THREE PHASE)



C W-A-0007-101316 ALC

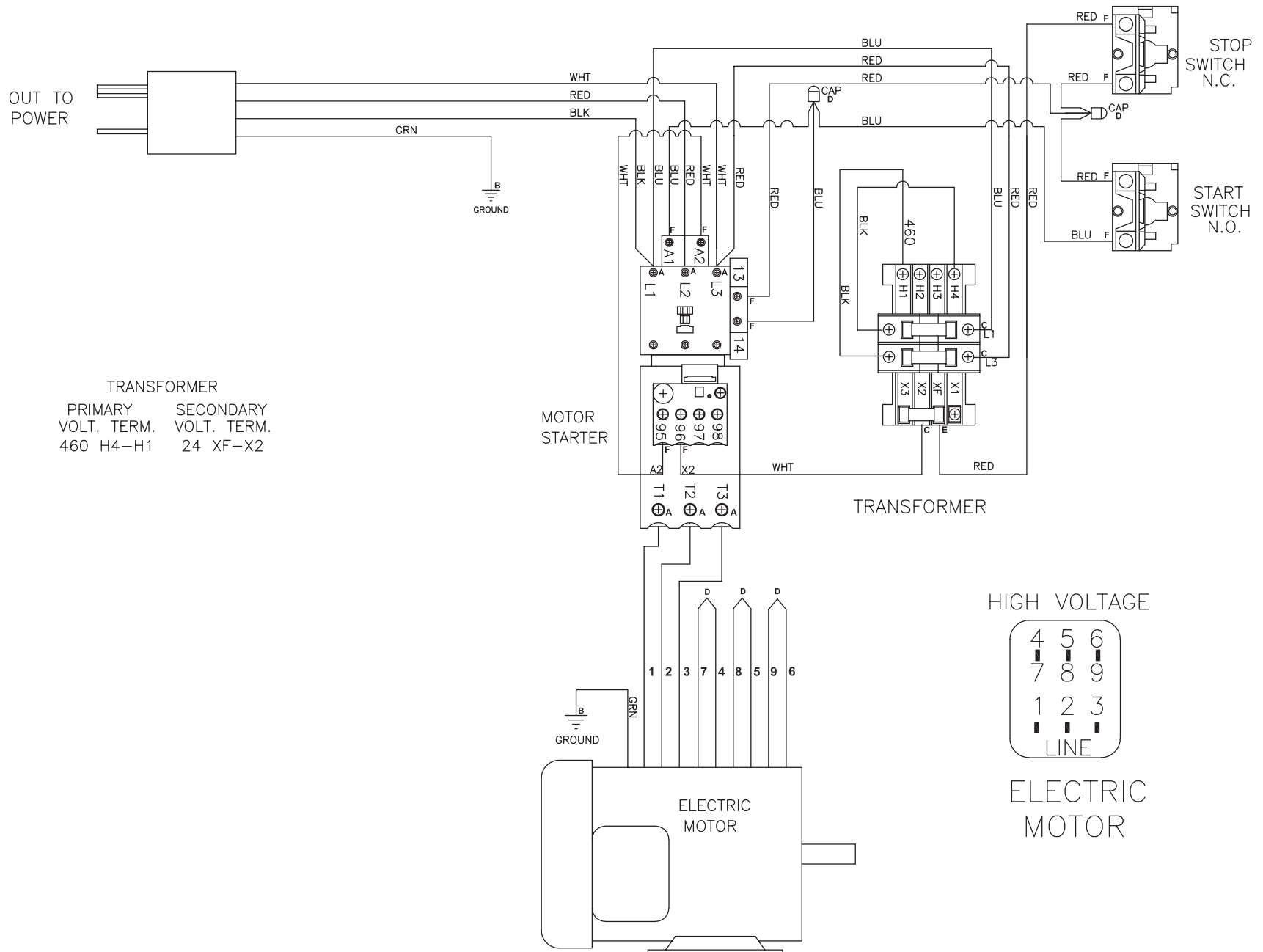
CW-A-0007 101316 ALC			
ELECTRIC BOX			
ITEM	TITLE	PART #	QTY
1	SWITCH - RED	32-0306	1
2	SWITCH - GREEN	32-0305	1
3	ELECTRIC PANEL	20-1293A06	1
4	BOLT (W/ BOX)	N/A	1
5	DIN RAIL *(ONE FOOT REQUIRED)	32-0316	1
6	CONTACTOR	32-0327	1
7	OVERLOAD RELAY	32-0482	1
8	SCREW	27-8835	6
9	WASHER	28-0010	6
10	FUSE	32-0325	2
11	FUSE	32-0323	1
12	TRANSFORMER	32-0313	1
13	CONDUIT ELBOW	32-0487	2
14	GASKET	26-0314	1
15	CONDUIT FLEX *(TWO FEET REQUIRED)	32-0486	1
16	TAG - WARNING RISK OF ELECTROCUTION	34-1035	1
17	ELECTRIC BOX	32-1119	1
18	CORD RELIEF	9-0046	1
19	CORD *(TEN FEET REQUIRED)	32-0023	1
20	CABLE TIE	33-0022	1
21	PLUG	32-0146	1
*MUST ORDER IN ONE FOOT LENGTHS			

# WIRING SCHEMATIC FOR 30053 (CX-0062 OPTION) (480 VOLT/THREE PHASE)



CW-WD-0001-112700-RD

# WIRING DIAGRAM FOR 3005 (CX-0062 OPTION) (480 VOLT/THREE PHASE)



CW-WD-0003-120517 JRC

