

PARTS LIST FOR  
***2505/3004 SERIES***  
***PORTABLE***  
***GASOLINE DRIVEN/BELT DRIVE***  
COLD WATER PRESSURE WASHER  
(AFTER SERIAL #10552631)

Engine Oil Grade:	SAE 10W-30
Engine Oil Capacity:	37 oz.
Pump Oil Grade:	Pump Oil #AW-4085-0016
Pump Oil Capacity:	40.6 oz.
Nozzle Size:	
	2505: 5.5
	3004: 4.0

This Parts Listing has been compiled for your benefit. You can be assured your new Cold Water Pressure Washer was constructed and designed with quality and performance in mind using over 25 years experience in the pressure washer business. Each component has been rigorously tested to insure the highest level of acceptance.

The contents of this Parts Listing are based on the latest product information available at the time of publication. The manufacturer reserves the right to make changes in price, color, materials, equipment, specifications or models at any time without notice.

**WARNING**

THIS IS A PROFESSIONAL HIGH PRESSURE, COLD WATER PRESSURE WASHER. CAUTION SHOULD BE OBSERVED WHEN USING OR REPAIRING THIS UNIT! READ AND FOLLOW THE SAFETY WARNINGS LISTED BELOW BEFORE ATTEMPTING ANY REPAIRS ON THIS PRESSURE WASHER!

**SAFETY WARNINGS**

1. NEVER alter or modify the equipment. Be sure any accessory items and system components being used will withstand the pressure developed. Use only genuine manufactured parts for repair of your pressure washer. Failure to do so can cause hazardous operating conditions and will VOID warranty.
2. NEVER make adjustments on machinery while the unit is connected to the engine without first removing the ignition cables from the spark plugs. Turning over the machinery by hand during adjustment or cleaning might start the machinery, causing serious injury to the operator.
3. Know how to stop and bleed pressures quickly. Be thoroughly familiar with controls.
4. Before servicing the unit, turn unit off, relieve the water pressure and allow the unit to cool down. Do not make repairs while the unit is running. Service in a clean, dry, flat area.
5. After testing the machine, DO NOT leave the pressurized unit unattended. Shut off the unit and release trapped pressure before leaving.

**Table of Contents**

**NOTES** ..... 3

**NOTES** ..... 4

**SPECIFICATIONS** ..... 5

**FRAME ASSEMBLY FOR 2505 (AFTER SERIAL #10552631)** ..... 6

**FRAME ASSEMBLY FOR 3004 (AFTER SERIAL #10552631)** ..... 8

**PUMP ASSEMBLY (3-0202) (AFTER SERIAL #10375000)** ..... 10

**UNLOADER ASSEMBLY (8-0032)** ..... 12

---

**NOTES**

**SERIAL NUMBER BREAK**

#10552631

**DATE**

121610

**REASON**

CHANGED PAINT CODE FROM A42 TO A01. (UNITS CHANGED FROM GRAY TO BLACK)

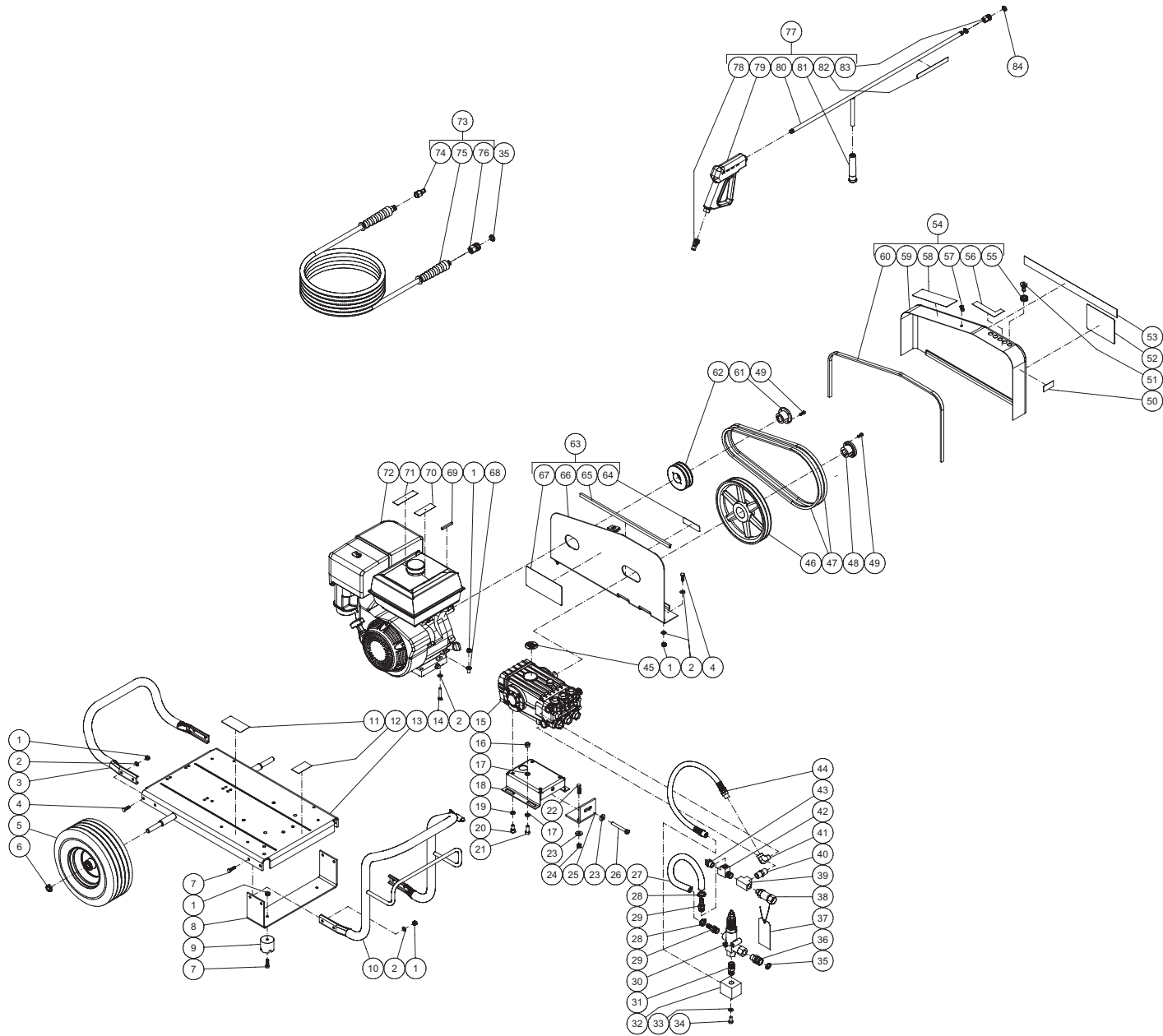
---

NOTES

## SPECIFICATIONS

Operating Pressure (PSI/Bar):	2500/172.4	3000/206.8
High Pressure Nozzle:	5.5	4.0
Water Volume (GPM/lpm):	4.4/16.6	3.5/13.2
Engine:	Honda	
Model Number:	GX390	
Engine Type:	4 Stroke, Overhead Valve, Single Cylinder	
Oil Type	SAE10W-30	
Oil Capacity (oz./liter)	37/1.1	
Low Oil Protection	Oil Alert	
Fuel Type	Unleaded Gasoline 86 Octane Minimum	
Fuel Capacity (gal./liter)	1.7/6.4	
Starting	Recoil	
Maximum No Load RPM	3600 (+/- 100) RPM	
Pump:	Belt Driven, Oil Bath, Triplex Piston	
Oil Type	Pump Oil #AW-4085-0016	
Oil Capacity (oz./liter)	40.6/1.2	
Plungers	Ceramic	
Manifold	Forged Brass	
Valves	Stainless Steel	
Unloader	Preset	
Heat dump Valve	Relieves heated water during unloader bypass stage	
Unit Net Weight (lbs/Kg)	221/100	
Unit Shipping Weight (lbs/Kg)	295/133.5	
Unit Net Dimensions (in/cm)	45.5L x 28W x 26.5H / 115.5L x 71W x 67H	
Unit Shipping Dimensions (in/cm)	48.5L x 30.5W x 35.5H / 123L x 77.5W x 90H	

# FRAME ASSEMBLY FOR 2505 (AFTER SERIAL #10552631)

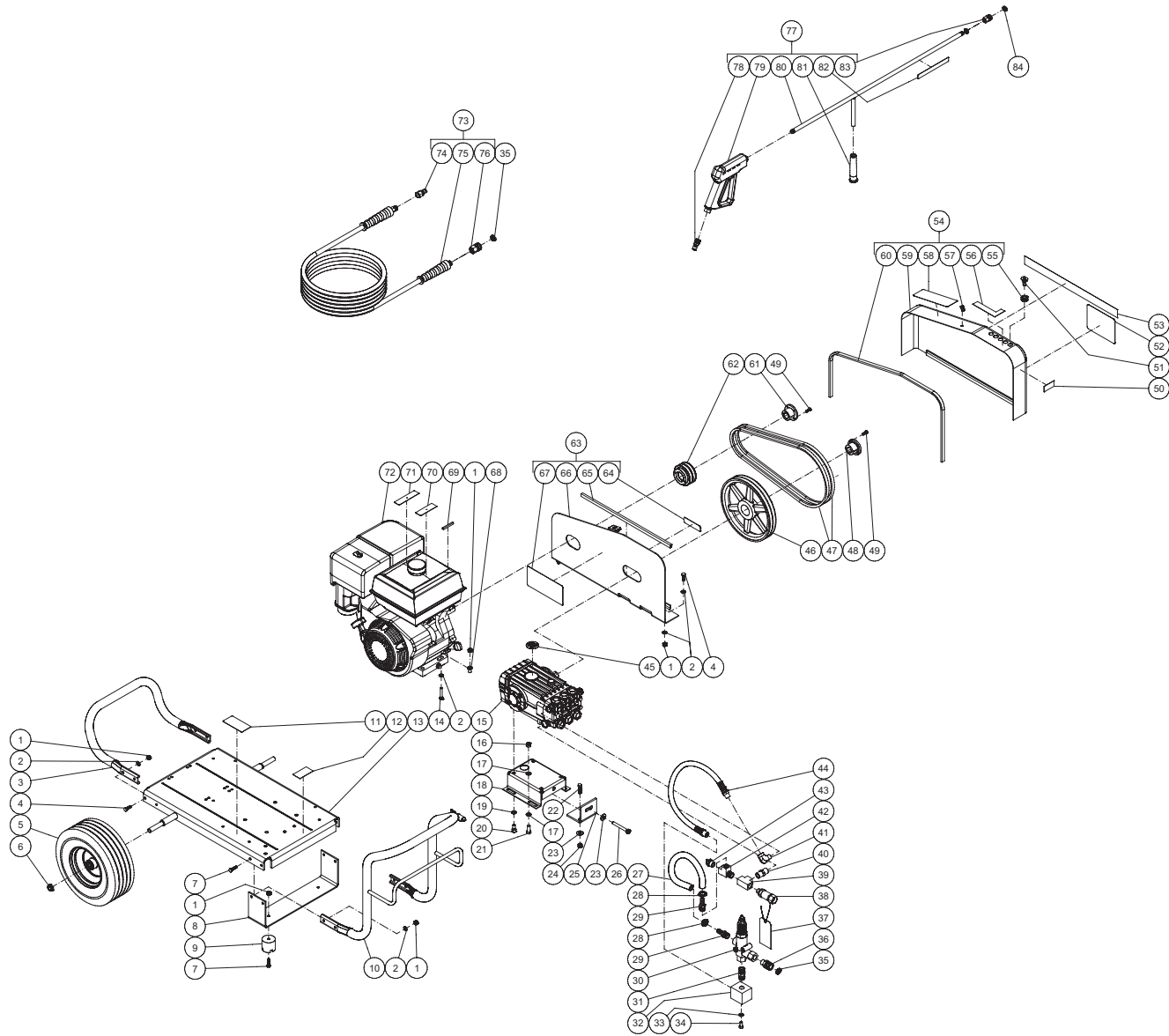


DC-2505-W4H6G 062217 JJR

FRAME ASSEMBLY							
ITEM	DESCRIPTION	PART #	QTY	ITEM	DESCRIPTION	PART #	QTY
1	LOCKNUT	30-0157	18	45	DECAL - PUMP	N/A	1
2	WASHER	28-0003	20	46	SHEAVE	10-0040	1
3	HANDLE	7-0175	1	47	BELT	11-0011	2
4	BOLT	27-0067	8	48	BUSHING	9-0017	1
5	WHEEL	14-0127	2	49	BOLT	27-0015	4
6	LOCKNUT	30-0117	2	50	DECAL - MADE IN USA	34-3553	1
7	BOLT	27-0068	6	51	NOZZLE	18-0410	1
8	UNDERBRACKET	13-0137A01	1	-	NOZZLE 15055 QC	18-0411	1
9	ISOLATOR	14-0008	2	-	NOZZLE 25055 QC	18-0412	1
10	HANDLE	7-0174A01	1	-	NOZZLE 40055 QC	18-0413	1
11	DECAL- SILVER STICKER	N/A	1	52	DECAL - LOGO	N/A	1
12	DECAL	N/A	1	53	DECAL - STRIPE	N/A	1
13	BASEPLATE	5-0078A01	1	54	BELTGUARD COVER	851-0348	1
14	BOLT	27-0070	4	55	GROMMET	33-0001	5
15	PUMP	3-0202	1	56	DECAL - NOZZLE	34-0500	1
16	LOCKNUT	30-0161	4	57	FASTENER	33-0197	1
17	WASHER	28-0030	8	58	DECAL - OPERATION (SEE 71-1032)	N/A	1
18	PUMP BRACKET	5-0101A01	1	59	BELTGUARD COVER	N/A	1
19	LOCKWASHER	29-0055	4	60	EDGING *(FOUR FEET REQUIRED)	33-0020	1
20	BOLT	27-8471	4	61	BUSHING	9-0005	1
21	BOLT	27-0166	4	62	SHEAVE	10-0067	1
22	BOLT	27-0118	2	63	BELTGUARD BACK	851-0349	1
23	WASHER	28-0023	3	64	DECAL - WARNING (SEE 71-1032)	N/A	1
24	LOCKNUT	30-0159	2	65	EDGING *(TWO FEET REQUIRED)	33-0020	1
25	BRACKET	13-0003A01	1	66	BELTGUARD BACK	N/A	1
26	BOLT	27-0576	1	67	DECAL - WARNING (SEE 71-1032)	N/A	1
27	HOSE	15-0035	1	68	SHIM	33-0169	4
28	HOSE CLAMP	42-0011	2	69	KEY	43-0078	1
29	BARB	23-0045	2	70	DECAL - RISK OF FIRE (SEE 71-1032)	N/A	1
30	UNLOADER	8-0032	1	71	DECAL - RISK OF BURNS (SEE 71-1032)	N/A	1
31	NIPPLE	24-0031	1	72	ENGINE - HONDA	1-0086	1
32	MANIFOLD BLOCK	51-0012	1	73	HOSE ASSEMBLY	851-0338	1
33	LOCKWASHER	29-0008	2	74	QUICK CONNECT	17-0006	1
34	BOLT	27-0116	2	75	HOSE	15-0209	1
35	O-RING	25-0123	2	76	QC SOCKET	17-0004	1
36	QUICK CONNECT SOCKET	17-0029	1	77	GUN/WAND ASSEMBLY	851-0095	1
37	TAG - WATER SUPPLY INLET (E)	N/A	1	78	QUICK CONNECT	17-0005	1
38	FILTER	19-0206	1	79	GUN	16-0001	1
39	TEE	23-0043	1	80	WAND (INCLUDES GRIP & QUICK CONNECT)	16-0418	1
40	NIPPLE	23-0012	1	81	GRIP	7-0002	1
41	ELBOW	24-0105	1	82	DECAL - RISK OF INJECTION (SEE 71-1032)	N/A	1
42	TEE	23-0124	1	83	QUICK CONNECT	17-0001	1
43	RELIEF VALVE	22-0005	1	84	O-RING	25-0122	1
44	HOSE	15-0024	1	-	DECAL SET	71-1032	1

\*MUST ORDER IN ONE FOOT LENGTHS

# FRAME ASSEMBLY FOR 3004 (AFTER SERIAL #10552631)



DC-3004-W4H6G 062317 JJR

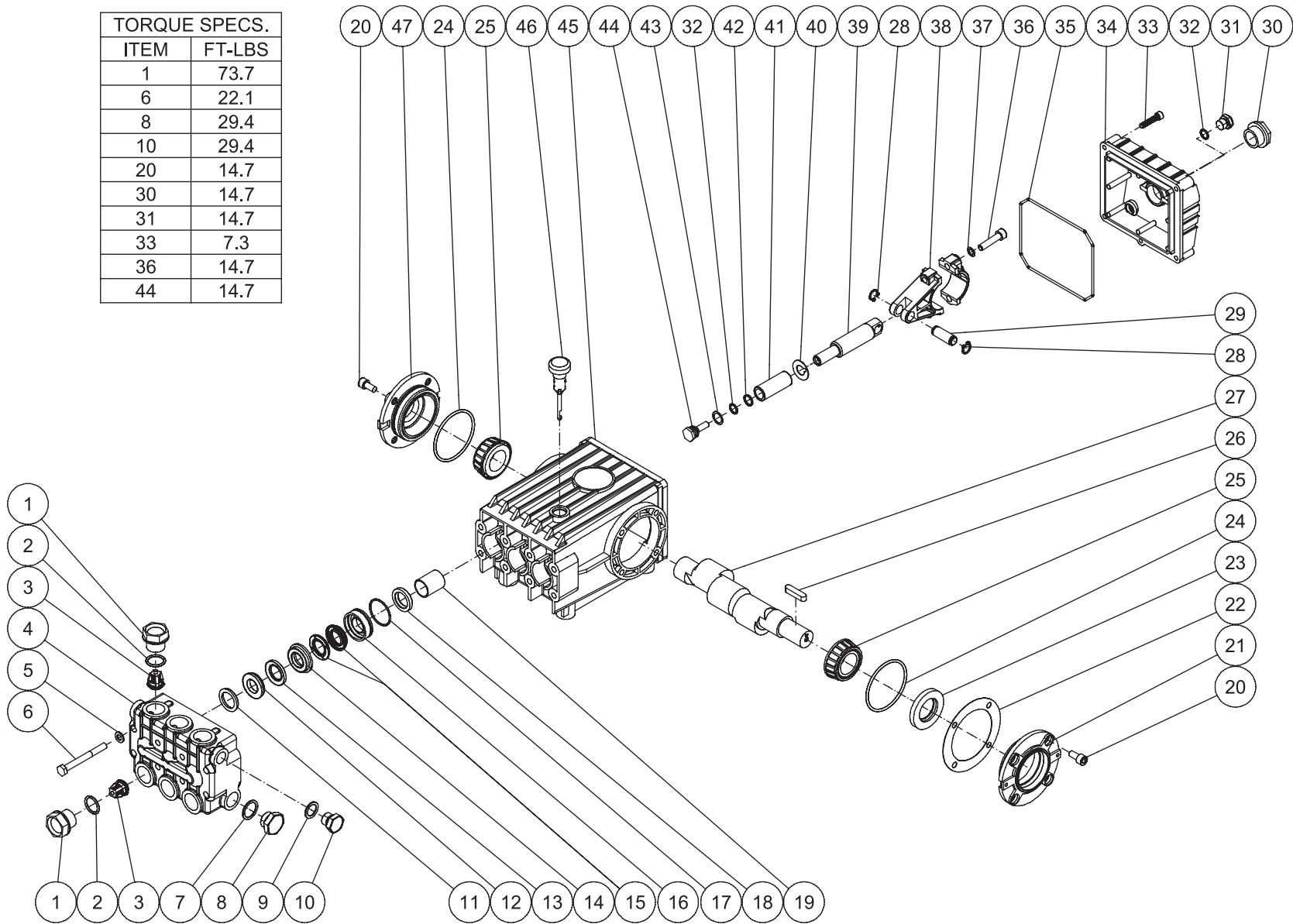


FRAME ASSEMBLY							
ITEM	DESCRIPTION	PART #	QTY	ITEM	DESCRIPTION	PART #	QTY
1	LOCKNUT	30-0157	18	45	DECAL - PUMP	34-2177	1
2	WASHER	28-0003	20	46	SHEAVE	10-0040	1
3	HANDLE	7-0175	1	47	BELT	11-0036	2
4	BOLT	27-0067	8	48	BUSHING	9-0017	1
5	WHEEL	14-0127	2	49	BOLT	27-0015	4
6	LOCKNUT	30-0117	2	50	DECAL - MADE IN USA	34-3553	1
7	BOLT	27-0068	6	51	NOZZLE	18-0397	1
8	UNDERBRACKET	13-0137A01	1	-	NOZZLE 15040 QC	18-0399	1
9	ISOLATOR	14-0008	2	-	NOZZLE 25040 QC	18-0400	1
10	HANDLE	7-0174A01	1	-	NOZZLE 40040 QC	18-0401	1
11	DECAL- SILVER STICKER	34-0075	1	52	DECAL - LOGO	N/A	1
12	DECAL	N/A	1	53	DECAL - STRIPE	N/A	1
13	BASEPLATE	5-0078A01	1	54	BELTGUARD COVER	851-0348	1
14	BOLT	27-0070	4	55	GROMMET	33-0001	5
15	PUMP	3-0202	1	56	DECAL - NOZZLE	N/A	1
16	LOCKNUT	30-0161	4	57	FASTENER	33-0197	1
17	WASHER	28-0030	8	58	DECAL - OPERATION (SEE 71-1035)	N/A	1
18	PUMP BRACKET	5-0101A01	1	59	BELTGUARD COVER	N/A	1
19	LOCKWASHER	29-0055	4	60	EDGING *(FOUR FEET REQUIRED)	33-0020	1
20	BOLT	27-8471	4	61	BUSHING	9-0005	1
21	BOLT	27-0166	4	62	SHEAVE	10-0029	1
22	BOLT	27-0118	2	63	BELTGUARD BACK	851-0349	1
23	WASHER	28-0023	3	64	DECAL - WARNING (SEE 71-1035)	N/A	1
24	LOCKNUT	30-0159	2	65	EDGING *(TWO FEET REQUIRED)	33-0020	1
25	BRACKET	13-0003A01	1	66	BELTGUARD BACK	N/A	1
26	BOLT	27-0576	1	67	DECAL - WARNING (SEE 71-1035)	N/A	1
27	HOSE	15-0035	1	68	SHIM	33-0169	4
28	HOSE CLAMP	42-0011	2	69	KEY	43-0078	1
29	BARB	23-0045	2	70	DECAL - RISK OF FIRE (SEE 71-1035)	N/A	1
30	UNLOADER	8-0032	1	71	DECAL - RISK OF BURNS (SEE 71-1035)	N/A	1
31	NIPPLE	24-0031	1	72	ENGINE - HONDA	1-0086	1
32	MANIFOLD BLOCK	51-0012	1	73	HOSE ASSEMBLY	851-0338	1
33	LOCKWASHER	29-0008	2	74	QUICK CONNECT	17-0006	1
34	BOLT	27-0116	2	75	HOSE	15-0209	1
35	O-RING	25-0123	2	76	QC SOCKET	17-0004	1
36	QUICK CONNECT SOCKET	17-0029	1	77	GUN/WAND ASSEMBLY	851-0095	1
37	TAG - WATER SUPPLY INLET (E)	34-0097	1	78	QUICK CONNECT	17-0005	1
38	FILTER	19-0206	1	79	GUN	16-0001	1
39	TEE	23-0043	1	80	WAND (INCLUDES GRIP & QUICK CONNECT)	16-0418	1
40	NIPPLE	23-0012	1	81	GRIP	7-0002	1
41	ELBOW	24-0105	1	82	DECAL - RISK OF INJECTION (SEE 71-1035)	N/A	1
42	TEE	23-0124	1	83	QUICK CONNECT	17-0001	1
43	RELIEF VALVE	22-0005	1	84	O-RING	25-0122	1
44	HOSE	15-0024	1	-	DECAL SET	71-1035	1

\*MUST ORDER IN ONE FOOT LENGTHS

# PUMP ASSEMBLY (3-0202) (AFTER SERIAL #10375000)

TORQUE SPECS.	
ITEM	FT-LBS
1	73.7
6	22.1
8	29.4
10	29.4
20	14.7
30	14.7
31	14.7
33	7.3
36	14.7
44	14.7

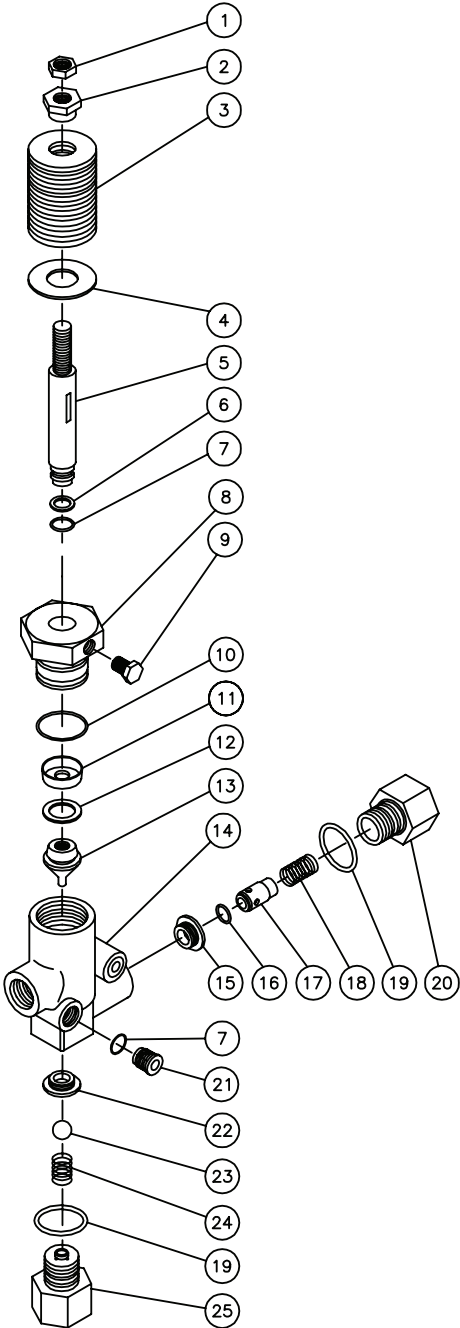


3-0202\_3-0203 042914

PUMP ASSEMBLY							
ITEM	DESCRIPTION	PART #	QTY	ITEM	DESCRIPTION	PART #	QTY
1	VALVE CAP	46-0889	6	25	BEARING	48-0012	2
2	O-RING	25-0012	6	26	KEY	43-0048	1
3	VALVE (SEE KIT 70-0009)	22-0056	6	27	CRANKSHAFT	46-0050	1
4	MANIFOLD	46-0890	1	28	RETAINING RING	46-0103	6
5	WASHER	28-1039	8	29	CONNECTING ROD PIN	43-0032	3
6	BOLT	27-8185	8	30	OIL LEVEL INDICATOR	46-0114	1
7	WASHER	28-1038	2	31	PLUG	39-0017	1
8	PLUG	39-0019	2	32	O-RING	25-0014	4
9	WASHER	28-1002	2	33	BOLT	27-8404	5
10	PLUG	39-0018	2	34	CRANKCASE OPEN COVER	46-0295	1
11	HEAD RING (SEE KIT 70-0030 AND 852-0122)	70-0030	3	35	O-RING	25-0339	1
12	V-PACKING SUPPORT (SEE KIT 70-0147 AND 852-0122)	26-0098	3	36	BOLT	27-8435	6
13	O-RING (SEE KIT 70-0147 AND 70-0148 AND 852-0122)	25-0207	3	37	LOCKWASHER	29-0154	6
14	HIGH PRESSURE INTERMEDIATE SEAL RETAINER (SEE KIT 70-0148)	46-0659	3	38	CONNECTING ROD	46-0051	3
15	PRESSURE SEAL (SEE KIT 70-0147 AND 852-0122)	26-0197	3	39	PISTON ROD	46-0056	3
16	LOW PRESSURE SEAL RETAINER	46-0057	3	40	SLINGER WASHER	46-0146	3
17	O-RING (SEE KIT 852-0122)	25-0015	3	41	PLUNGER	46-0052	3
18	OIL SEAL	26-0047	3	42	BACK-UP RING	46-0109	3
19	BUSHING	9-0029	3	43	WASHER	28-0400	3
20	BOLT	27-8431	8	44	NUT / PISTON	46-0069	3
21	CRANKCASE COVER	46-0296	1	45	CRANKCASE	46-0047	1
22	SHIM	46-0113	1	46	OIL DIP STICK	46-0144	1
23	OIL SEAL	26-0049	1	47	CRANKCASE COVER	46-0336	1
24	O-RING	25-0013	2				

REPLACEMENT KITS				
KIT#	DESCRIPTION	ITEMS	# OF ASSEMBLIES	# OF CYLINDERS
70-0009	VALVES	3	6	3
70-0030	HEAD RING	11	3	3
70-0147	V-PACKING	12, 13, 15	3	3
70-0148	INTERMEDIATE RETAINER	13, 14	3	3
852-0122	V-PACKING ASSY	11-13, 15, 17	3	3

# UNLOADER ASSEMBLY (8-0032)



UNLOADER ASSEMBLY (8-0032)			
REF.#	DESCRIPTION	PART #	QTY.
1	Locknut	30-3058	1
2	Adjusting Nut	8-0089	1
3	Spring Washers - Orange	8-0009	15
4	Washer	28-0250	1
5	Valve Stem	8-0037	1
6	Backup Ring	8-0038	1
7	O-ring	25-0009	5
8	Valve Cap	8-0036	1
9	Set Screw	8-0084	1
10	O-ring	25-0008	1
11	Cup	8-0034	1
12	Back-up Ring	8-0040	1
13	Piston	8-0039	1
14	Valve Body	8-0164	1
15	Outlet Seat	8-0006	1
16	O-ring	25-0011	1
17	Outlet Valve	8-0004	1
18	Spring	49-0016	1
19	O-ring	25-0010	2
20	Outlet Retainer	8-0003	1
21	Brass Plug	8-0011	4
22	Valve Seat	8-0005	1
23	Ball	8-0041	1
24	Spring	49-0015	1
25	Inlet Retainer	8-0165	1
	Unloader Repair Kit (Inc. 6, 7, 10-12, 16 and 19)	70-0044	

