



PARTS LIST FOR
CHV-0525-OME1/OME3

Motor Horsepower:	10 HP
Pump Oil Grade:	SAE 40W Hydraulic Lubricant
Pump Oil Capacity:	40 oz.
Nozzle Size:	5.5mm

This Parts Listing has been compiled for your benefit. You can be assured your Mi-T-M Cold Water Pressure Washer was constructed and designed with quality and performance in mind using over 35 years experience in the pressure washer business. Each component has been rigorously tested to insure the highest level of acceptance.

The contents of this Parts Listing are based on the latest product information available at the time of publication. Mi-T-M reserves the right to make changes in price, color, materials, equipment, specifications or models at any time without notice.

WARNING

THIS IS A PROFESSIONAL HIGH PRESSURE, COLD WATER PRESSURE WASHER. CAUTION SHOULD BE OBSERVED WHEN USING OR REPAIRING THIS UNIT! READ AND FOLLOW THE SAFETY WARNINGS LISTED BELOW BEFORE ATTEMPTING ANY REPAIRS ON THIS PRESSURE WASHER!

SAFETY WARNINGS

1. NEVER alter or modify the equipment. Be sure any accessory items and system components being used will withstand the pressure developed. Use only genuine Mi-T-M parts for repair of your pressure washer. Failure to do so can cause hazardous operating conditions and will VOID warranty.
2. NEVER make adjustments on machinery while the unit is connected to the power source. Accidentally starting the unit, while working on it, may cause serious injury to the operator.
3. Know how to stop and bleed pressures quickly. Be thoroughly familiar with controls.
4. Before servicing the unit, turn unit off, relieve the water pressure and allow the unit to cool down. Do not make repairs while the unit is running. Service in a clean, dry, flat area.
5. After testing the machine, DO NOT leave the pressurized unit unattended. Shut off the unit and release trapped pressure before leaving.

Table of Contents

SPECIFICATIONS.....3

ASSEMBLY CHV-0525-0ME1.....4

ELECTRIC BOX ASSEMBLY FOR CHV-0525-0ME16

CHV-0525-0ME1 230V WIRING DIAGRAM8

CHV-0525-0ME1 230V WIRING SCHEMATIC9

ASSEMBLY CHV-0525-0ME3.....10

ELECTRIC BOX ASSEMBLY FOR CHV-0525-0ME312

CHV-0525-0ME3 230V-480V WIRING DIAGRAM.....14

CHV-0525-0ME3 230V-480V WIRING SCHEMATIC15

PUMP16

CONTROL UNIT18

GUN.....20

CX-0072 OPTION 300 GALLON TANK ASSEMBLY22

CX-0073 OPTION.....24

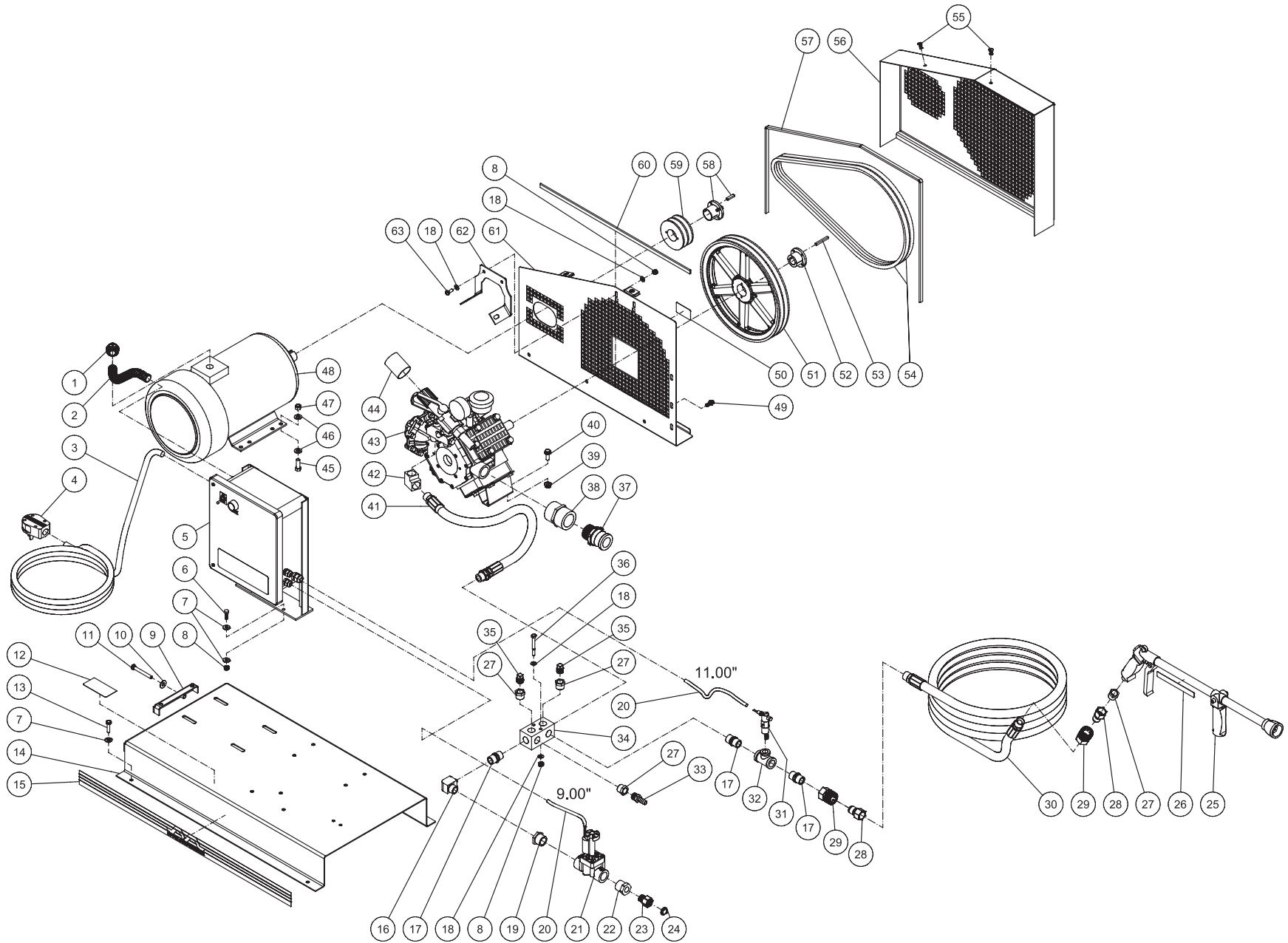
CX-0074 LEG EXTENSION KIT25

CX-0075 REMOTE BOX ASSEMBLY.....26

SPECIFICATIONS

MODEL NUMBER	CHV-0525-0ME1	CHV-0525-0ME3
Operating Pressure (PSI/Bar):	500/35.2	
High Pressure Nozzle (mm):	5.5mm	
Water Volume (GPM/lpm):	25/94.6	
Motor:	Totally enclosed fan cooled, thermal overload protection,	
10ft. power supply cord		
Horsepower	10	
Voltage/Hertz	230/60	
Phase	Single	Three
Amps	41.5	25.6
Pump:	Belt Driven, Oil Bath, Diaphragm Pump	
Oil Type	SAE 40W Hydraulic Lubricant	
Oil Capacity (oz./liters)	40/1.18	
Pulsation Dampener	"Brass 3/4" Male Inlet"	
Manifold	Aluminum	
Valves	Stainless Steel	
Control Unit	Pump mounted pressure regulator with Manual Dump Lever and guage	
Unit Net Weight (lbs/Kg)	372	347
Unit Shipping Weight (lbs/Kg)	432	407
Unit Net Dimension (in/cm)	38Lx23.5Wx24H/97Lx60Wx61H	
Unit Shipping Dimension (in/cm)	45Lx19Wx32H/115Lx49Wx82H	

ASSEMBLY CHV-0525-0ME1

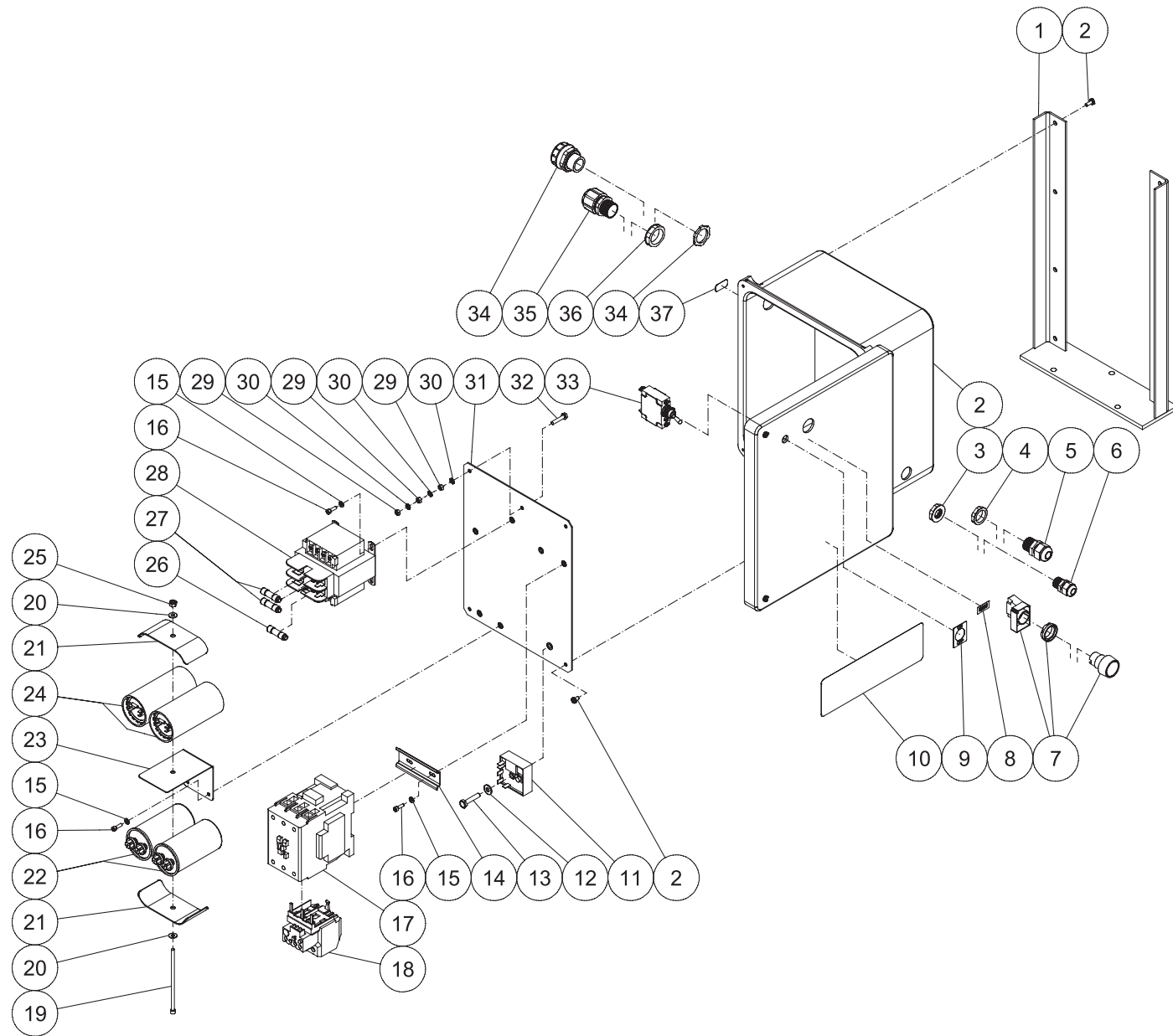


CHV-0525-0ME1-101806-JJT

ASSEMBLY FOR CHV-0525-0ME1

REF #	DESCRIPTION	PART #	QTY	REF #	DESCRIPTION	PART #	QTY	REF #	DESCRIPTION	PART #	QTY
1	Conduit Elbow	32-0487	1	25	Gun with Nozzle	16-0440	1	49	Bolt	27-9524	3
2	Conduit	32-0486	1	26	Decal - Warning Risk of Injection (E/S)	N/A Sep.	1	50	Decal - Beltguard in Place	N/A Sep.	1
3	Cord *(Ten Feet Required)	32-0021	1	27	Bushing	23-0023	4	51	Sheave	10-0137	1
4	Plug	32-0012	1	28	Plug	17-0069	2	52	Bushing	9-0005	1
5	Electric Box Assy (Next Page)	N/A	1	29	Socket	17-0070	2	53	Key	43-0078	1
6	Bolt	27-0067	3	30	Hose	15-0267	1	54	Belt	11-0071	2
7	Washer	28-0022	10	31	Flow Switch	32-0924	1	55	Fastener	33-0197	2
8	Locknut	30-0157	7	32	Tee	23-0009	1	56	Beltguard Cover	6-0086A01	1
9	Bracket	13-0181A01	1	33	Hose	23-0045	1	57	Edging *(Five Feet Required)	33-0020	1
10	Flatwasher	28-0023	1	34	Manifold Block	51-9035	1	58	Bushing Motor	9-0008	1
11	Bolt	27-0576	1	35	Plug	39-0016	2	59	Sheave	10-0042	1
12	Decal - Silver Sticker	N/A Sep.	1	36	Bolt	27-0074	2	60	Edging	33-0020	1
13	Lag Bolt (For Shipping)	27-2276	4	37	Adapter	55-0024	1	61	Beltguard Back	6-0114A01	1
14	Baseplate	5-0258A01	1	38	Pipe Coupling	55-6892	1	62	Beltguard Support Bracket	13-0178A01	1
15	Decal - Mi-T-M Stripe w/logo	34-0725	1	39	Nut	30-3030	4	63	Bolt	27-0066	2
16	Elbow	23-0081	1	40	Bolt	27-8923	4		Decal Kit (Inc. 12, 15, 41, 49)	34-9027	1
17	Nipple	23-0026	3	41	Hose	15-0268	1	Shipped With			
18	Washer	28-0003	8	42	Elbow	23-0391	1	-	Hose *(50 Feet Required)	15-0033	1
19	Bushing	23-0150	1	43	Diaphragm Pump	3-0281	1	-	Clamp	42-0003	2
20	Hose *(Two Feet Required)	15-0021	1	44	Heat Shrink *(One Foot Required)	33-0127	1	-	Dome Isolator	14-0109	4
21	Solenoid Valve	55-0102	1	45	Bolt	27-0167	4	-	Bolt	27-0117	4
22	Reducer	23-0226	1	46	Washer	28-0005	8	-	Washer	28-0023	4
23	Swivel	23-0095	1	47	Locknut	30-0161	4	*Must Order in Foot Lengths			
24	Inlet Filter	19-0001	1	48	Motor	2-0094	1				

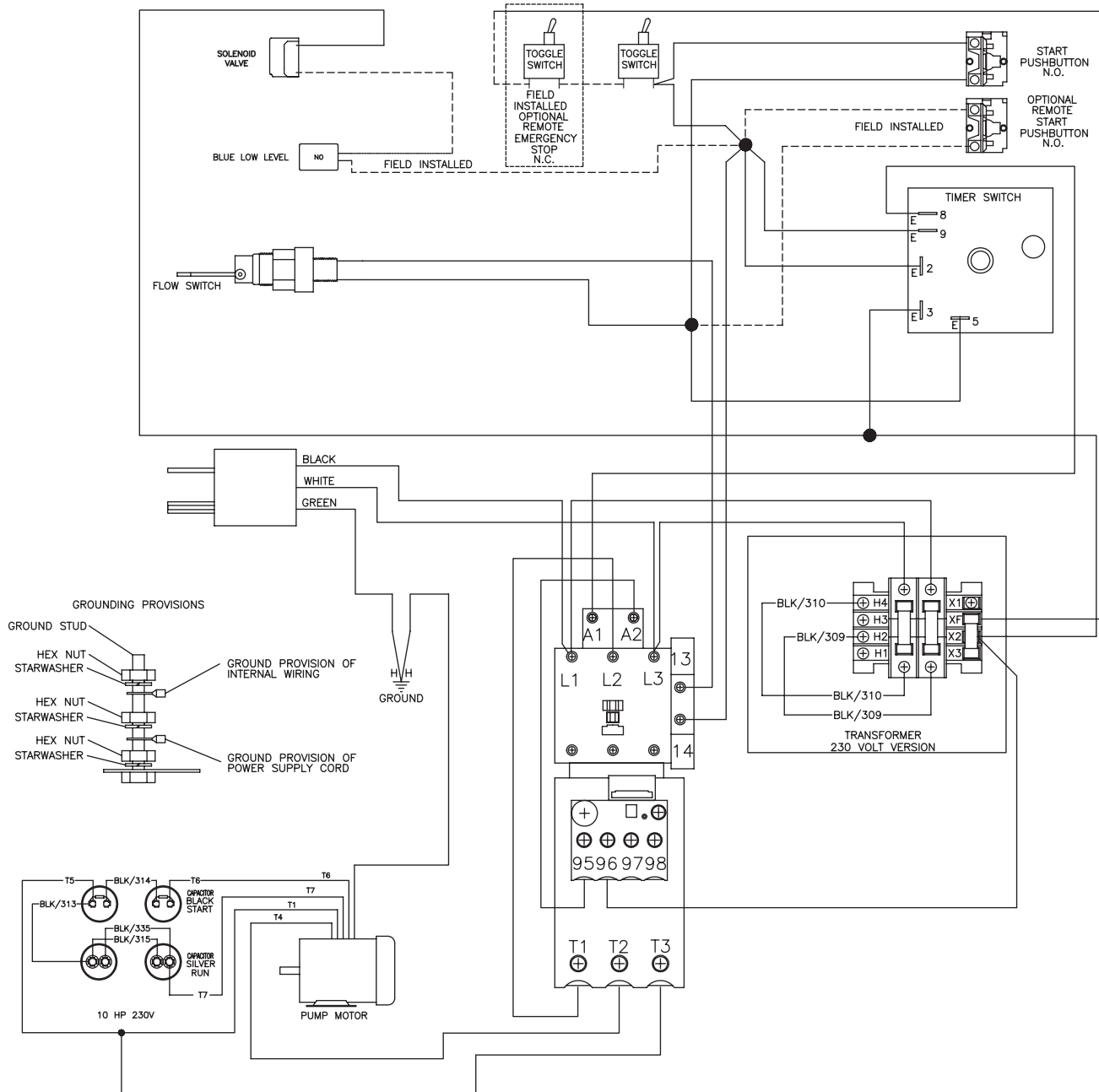
ELECTRIC BOX ASSEMBLY FOR CHV-0525-0ME1



851-0368-100506-JJT

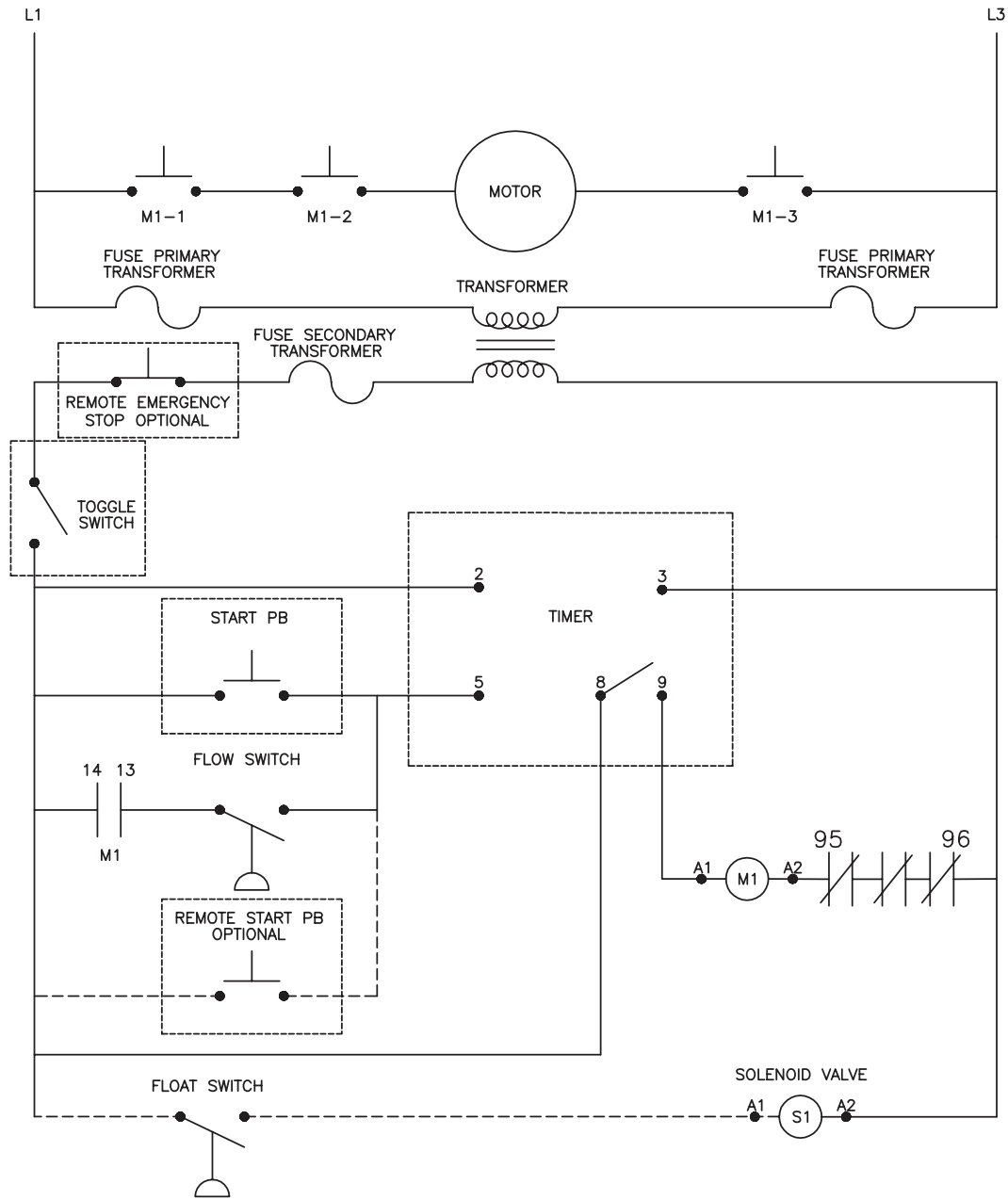
ELECTRIC BOX ASSEMBLY FOR CHV-0525-0ME1								
REF. #	DESCRIPTION	PART #	QTY.		REF. #	DESCRIPTION	PART #	QTY.
1	Bracket	13-0182A01	1		20	Flatwasher	28-0001	2
2	Electric Box	32-0931	1		21	Clamp	20-0467	2
3	Locknut	32-0587	2		22	Capacitor - Run	N/A	2
4	Locknut	32-0108	1		23	Bracket	20-0556A06	1
5	Strain Relief	32-0437	1		24	Capacitor - Start	N/A	2
6	Strain Relief	32-0586	2		25	Locknut	30-0154	1
7	Switch Push Button Green	32-0534	1		26	Fuse	32-0743	1
8	Decal - Run	34-0250	1		27	Fuse	32-0741	2
9	Decal - ON/OFF	34-0612	1		28	Transformer	32-0735	1
10	Decal - Warning/Caution/Operation	34-0925	1		29	Locknut	30-6001	3
11	Timer Switch	32-0800	1		30	Lockwasher	28-1009	3
12	Washer	28-0002	1		31	Electric Plate Assembly	20-0940A06	1
13	Bolt	27-0017	1		32	Bolt	27-8807	1
14	Din Rail *(One Inch Required)	32-0316	1		33	Switch	32-0408	1
15	Washer	28-0010	6		34	Conduit	32-0488	1
16	Bolt	27-8835	6		35	Cord Relief	9-0046	1
17	Contactora	32-0598	1		36	Locknut	32-0292	1
18	Overload Relay	32-0490	1		37	Decal - Volt	34-0898	1
19	Bolt	27-0759	1		*Must Order in Inches			

CHV-0525-0ME1 230V SINGLE PHASE WIRING DIAGRAM



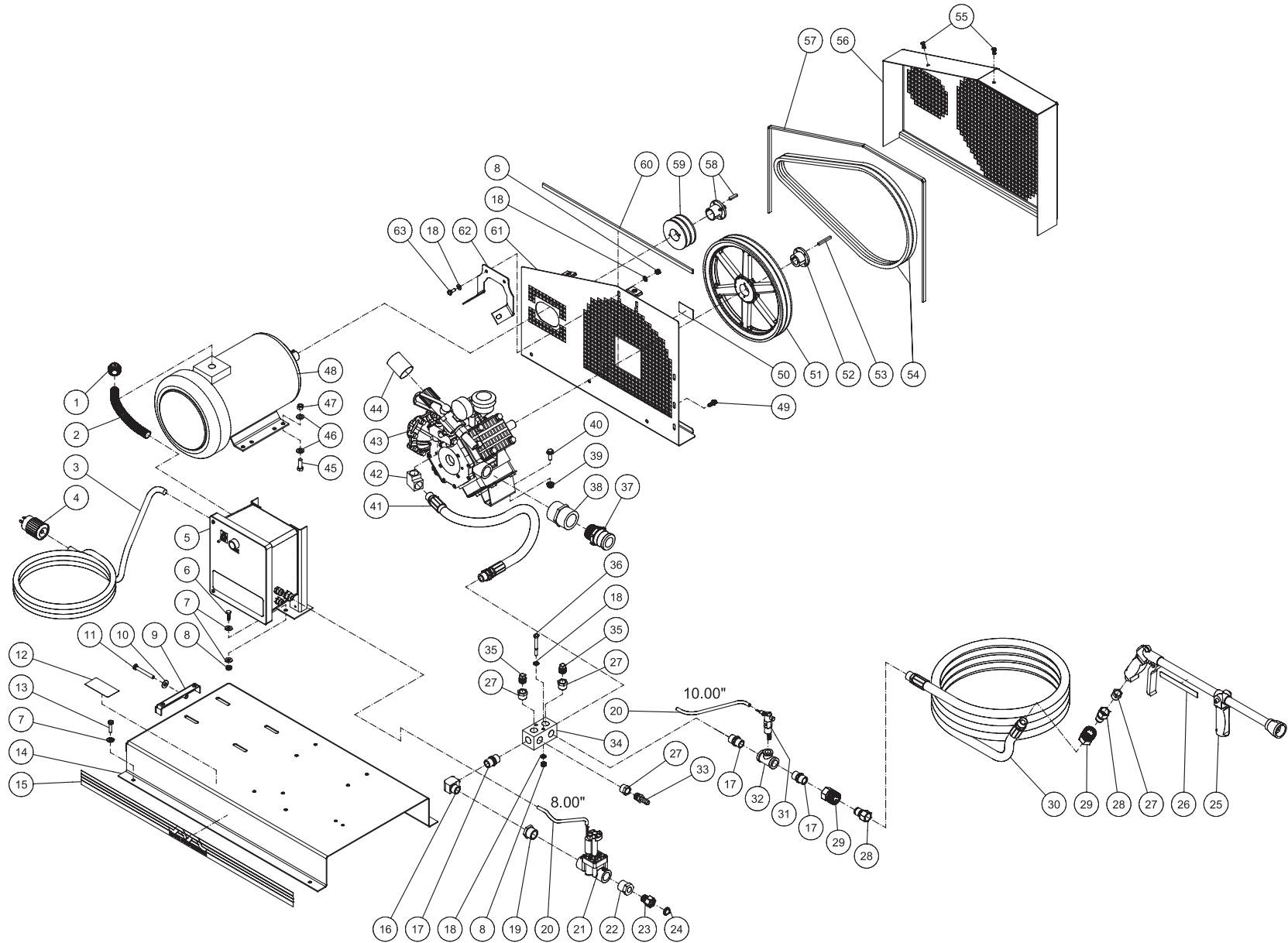
CHV-0525-0ME1-230V WIRING DIAGRAM 111610

CHV-0525-0ME1 230V SINGLE PHASE WIRING SCHEMATIC



CHV-0525-0ME1-230V WIRING SCHEMATIC 111610

ASSEMBLY CHV-0525-0ME3

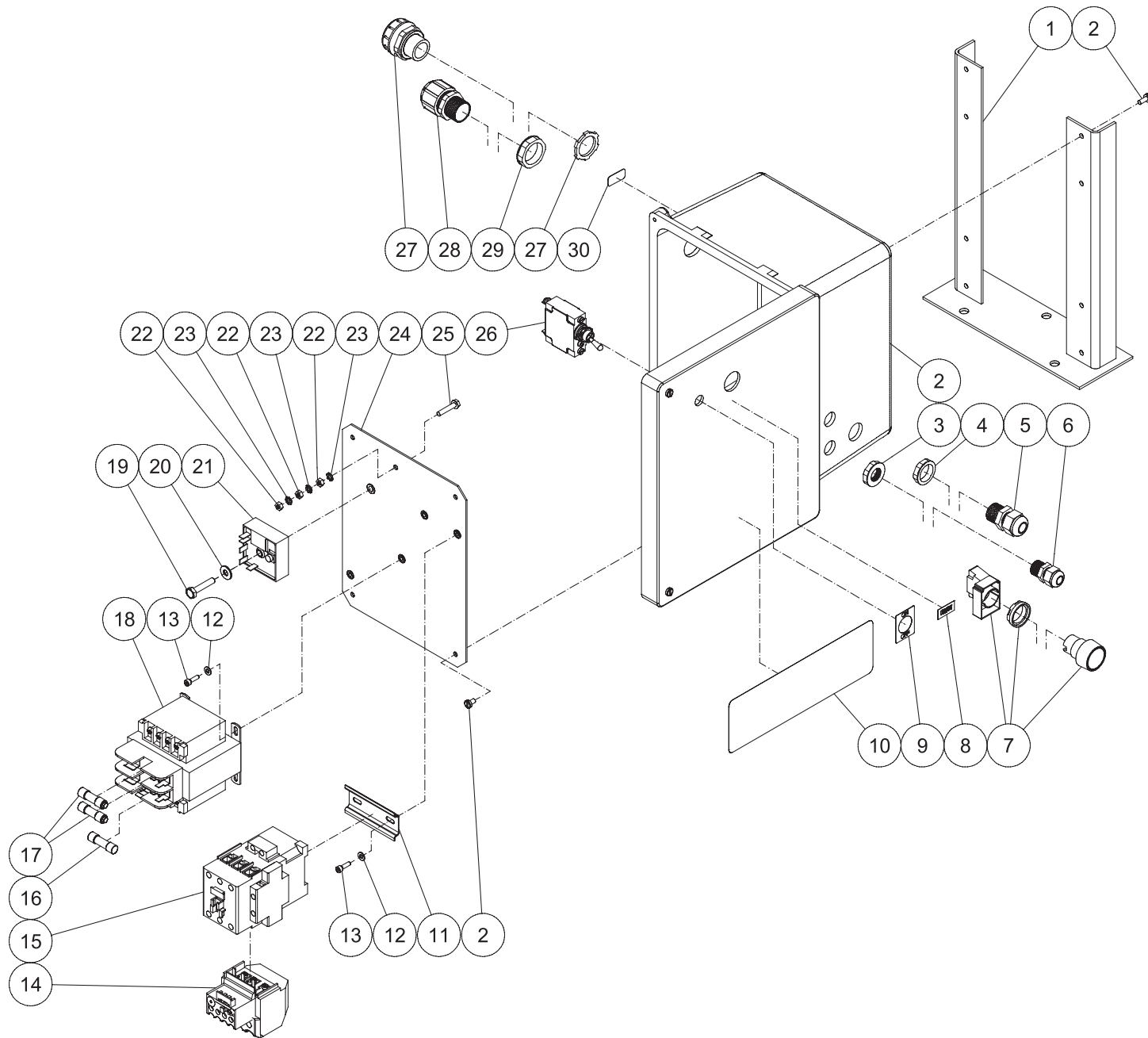


CHV-0525-0ME3-091106-JJT

ASSEMBLY FOR CHV-0525-0ME3

REF #	DESCRIPTION	PART #	QTY	REF #	DESCRIPTION	PART #	QTY	REF #	DESCRIPTION	PART #	QTY
1	Conduit Elbow	32-0487	1	25	Gun with Nozzle	16-0440	1	49	Bolt	27-9524	3
2	Conduit *(One Foot Required)	32-0486	1	26	Decal - Warning Risk of Injection (E/S)	N/A Sep.	1	50	Decal - Beltguard in Place	N/A Sep.	1
3	Cord *(Ten Feet Required)	32-0023	1	27	Bushing	23-0023	4	51	Sheave	10-0137	1
4	Plug	32-0037	1	28	Plug	17-0069	2	52	Bushing	9-0005	1
5	Electric Box Assy (Next Page)	N/A	1	29	Socket	17-0070	2	53	Key	43-0078	1
6	Bolt	27-0067	3	30	Hose	15-0267	1	54	Belt	11-0071	2
7	Washer	28-0022	10	31	Flow Switch	32-0924	1	55	Fastener	33-0197	2
8	Locknut	30-0157	7	32	Tee	23-0009	1	56	Beltguard Cover	6-0086A01	1
9	Bracket	13-0181A01	1	33	Hose	23-0045	1	57	Edging *(Five Feet Required)	33-0020	1
10	Flatwasher	28-0023	1	34	Manifold Block	51-9035	1	58	Bushing	9-0008	1
11	Bolt	27-0576	1	35	Plug	39-0016	2	59	Sheave	10-0042	1
12	Decal - Silver Sticker	N/A	1	36	Bolt	27-0074	2	60	Edging *(Three Feet Required)	33-0020	1
13	Lag Bolt (For Shipping)	27-2276	4	37	Adapter	55-0024	1	61	Beltguard Back	6-0114A01	1
14	Baseplate	5-0258A01	1	38	Pipe Coupling	55-6892	1	62	Beltguard Support Bracket	13-0178A01	1
15	Decal - Mi-T-M Stripe w/logo	34-0725	1	39	Nut	30-3030	4	63	Bolt	27-0066	2
16	Elbow	23-0081	1	40	Bolt	27-8923	4		Decal Kit (Inc. 15, 41, 49)		
17	Nipple	23-0026	3	41	Hose	15-0268	1	Shipped With			
18	Washer	28-0003	8	42	Elbow	23-0391	1	-	Hose *(50 Feet Required)	15-0033	1
19	Bushing	23-0150	1	43	Diaphragm Pump	3-0281	1	-	Clamp	42-0003	2
20	Hose *(Two Feet Required)	15-0021	1	44	Heat Shrink *(One Foot Required)	33-0127	1	-	Dome Isolator	14-0109	4
21	Solenoid Valve	55-0102	1	45	Bolt	27-0167	4	-	Bolt	27-0117	4
22	Reducer	23-0226	1	46	Washer	28-0005	8	-	Washer	28-0023	4
23	Swivel	23-0095	1	47	Locknut	30-0161	4	*Must Order in Foot Lengths			
24	Inlet Filter	19-0001	1	48	Motor	2-0095	1				

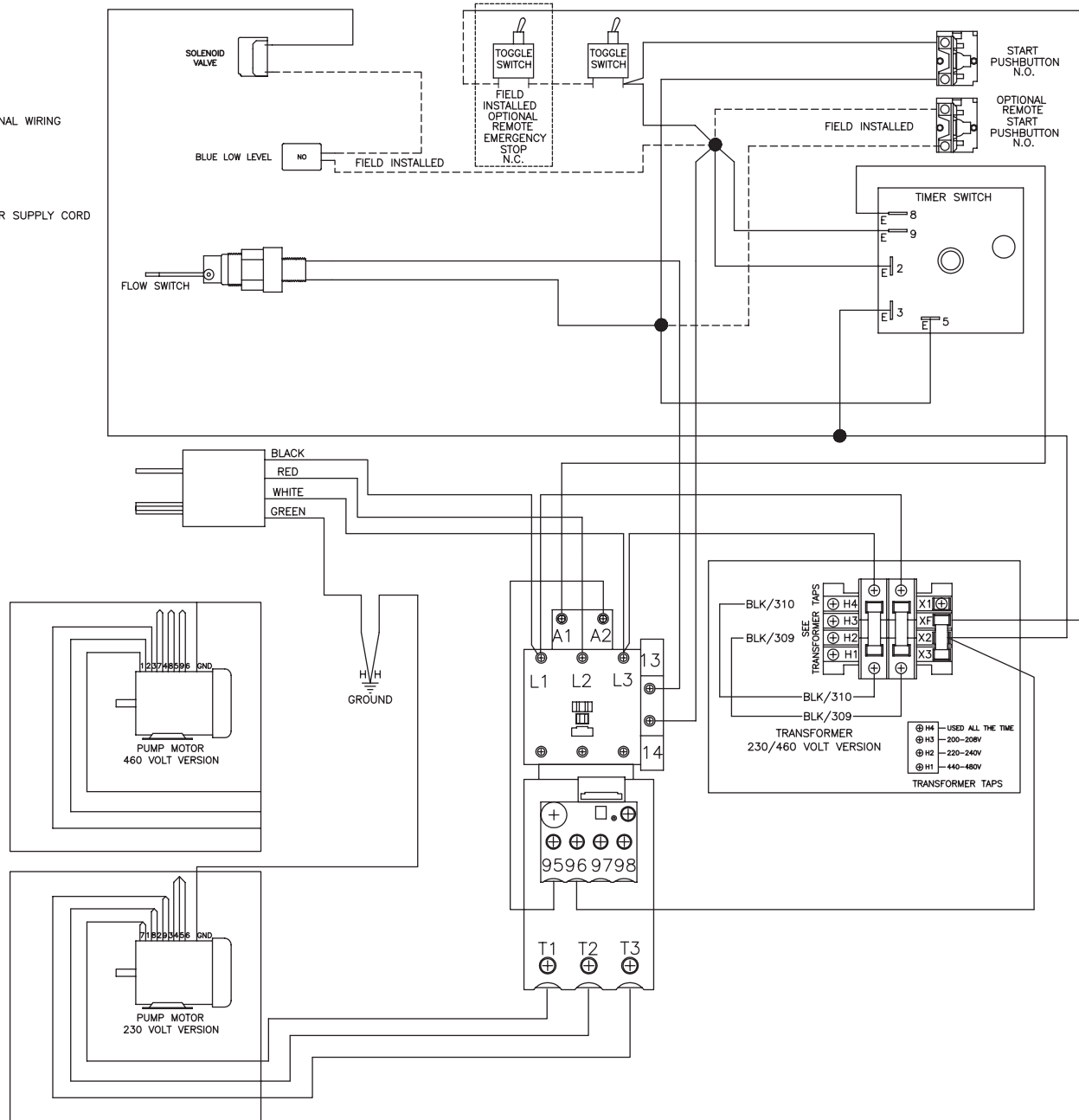
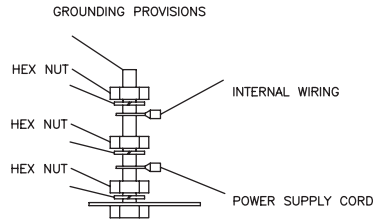
ELECTRIC BOX ASSEMBLY FOR CHV-0525-0ME3



851-0369-100506-JJT

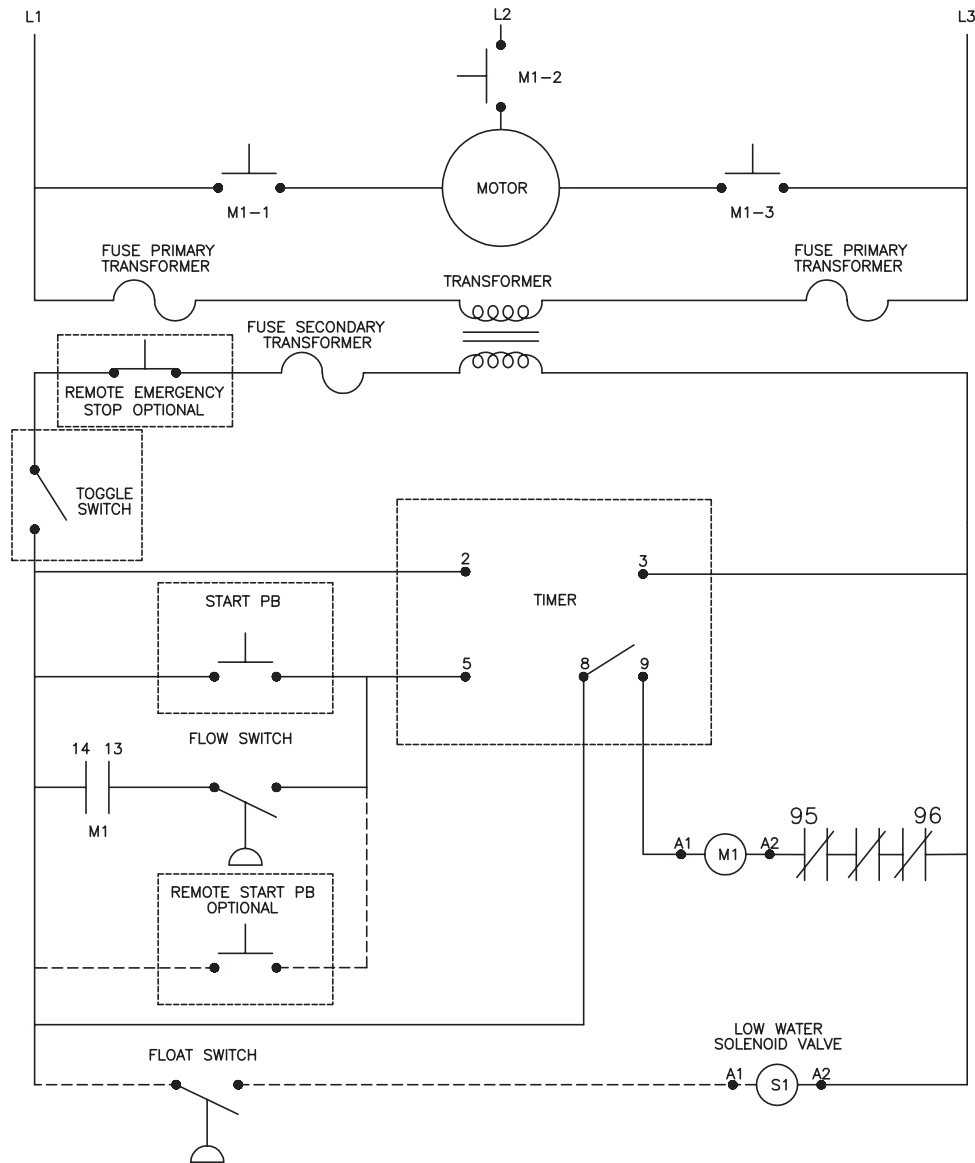
ELECTRIC BOX ASSEMBLY FOR CHV-0525-0ME3								
REF. #	DESCRIPTION	PART #	QTY.		REF. #	DESCRIPTION	PART #	QTY.
1	Bracket	13-0140A01	1		16	Fuse	32-0619	1
2	Electric Box	32-0927	1		17	Fuse	32-0469	2
3	Locknut	32-0587	2		18	Transformer	32-0735	1
4	Locknut	32-0108	1		19	Bolt	27-0017	1
5	Strain Relief	32-0437	1		20	Washer	28-0002	1
6	Strain Relief	32-0586	2		21	Timer Switch	32-0800	1
7	Switch Push Button Green	32-0534	1		22	Bolt	30-6001	3
8	Decal - Run	34-0250	1		23	Lockwasher	28-1009	3
9	Decal - ON/OFF	34-0612	1		24	Electric Plate	20-0938A06	1
10	Decal - Warning/Caution/Operation	34-0925	1		25	Bolt	27-8807	1
11	Din Rail *(One Inch Required)	32-0316	1		26	Switch	32-0408	1
12	Washer	28-0010	4		27	Conduit	32-0488	1
13	Bolt	27-8835	4		28	Cord Relief	9-0046	1
14	Overload Relay	32-0484	1		29	Locknut	32-0292	1
15	Contacto	32-0597	1		30	Decal - Volt	34-0898	1
					*Must Order in Inches			

CHV-0525-0ME3 230V-460V THREE PHASE WIRING DIAGRAM



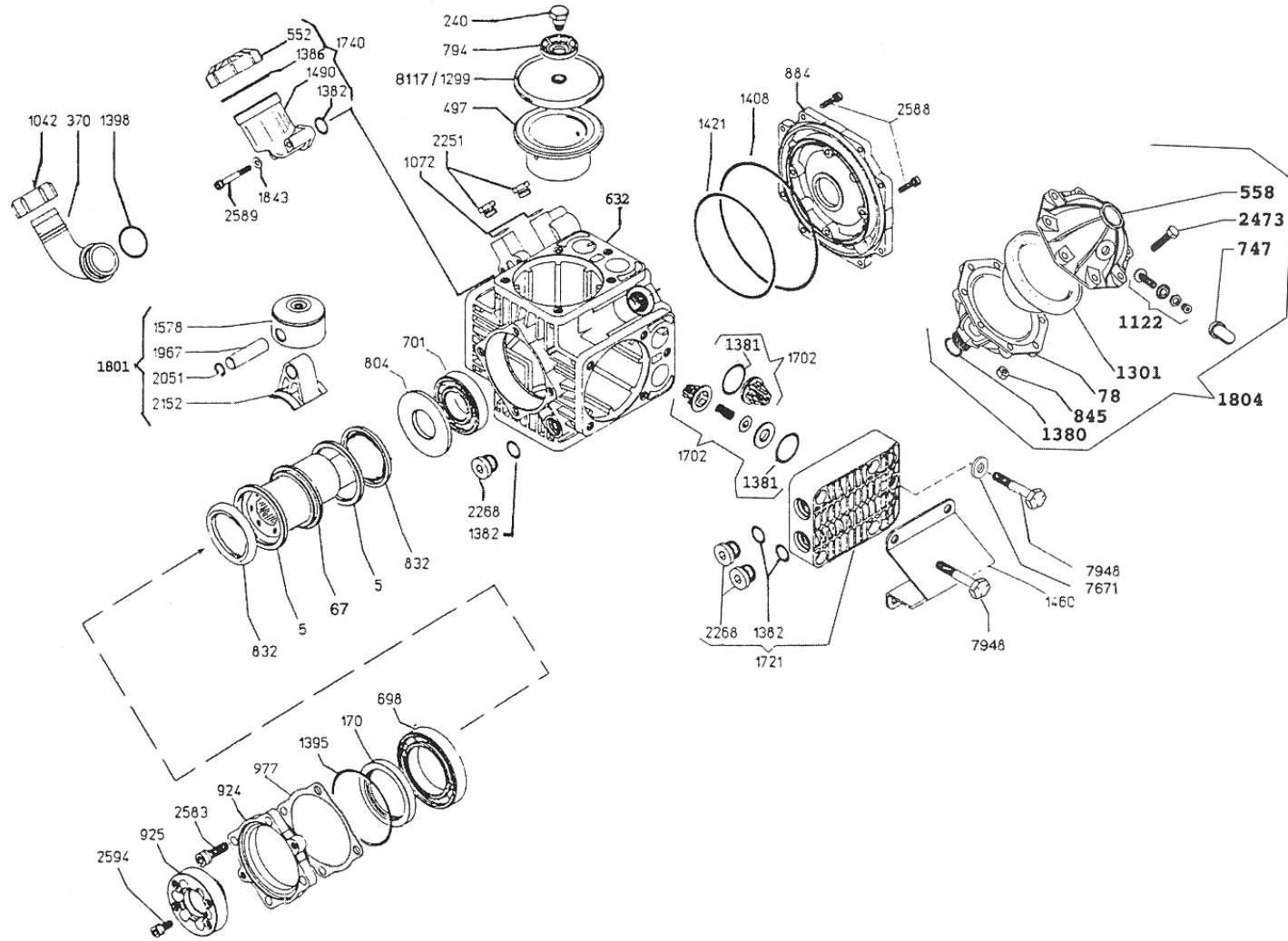
CHV-0525-0ME3-230V-460V WIRING DIAGRAM 111610

CHV-0525-0ME3 230V-460V THREE PHASE WIRING SCHEMATIC



CHV-0525-0ME3-230V-460V WIRING SCHEMATIC 111610

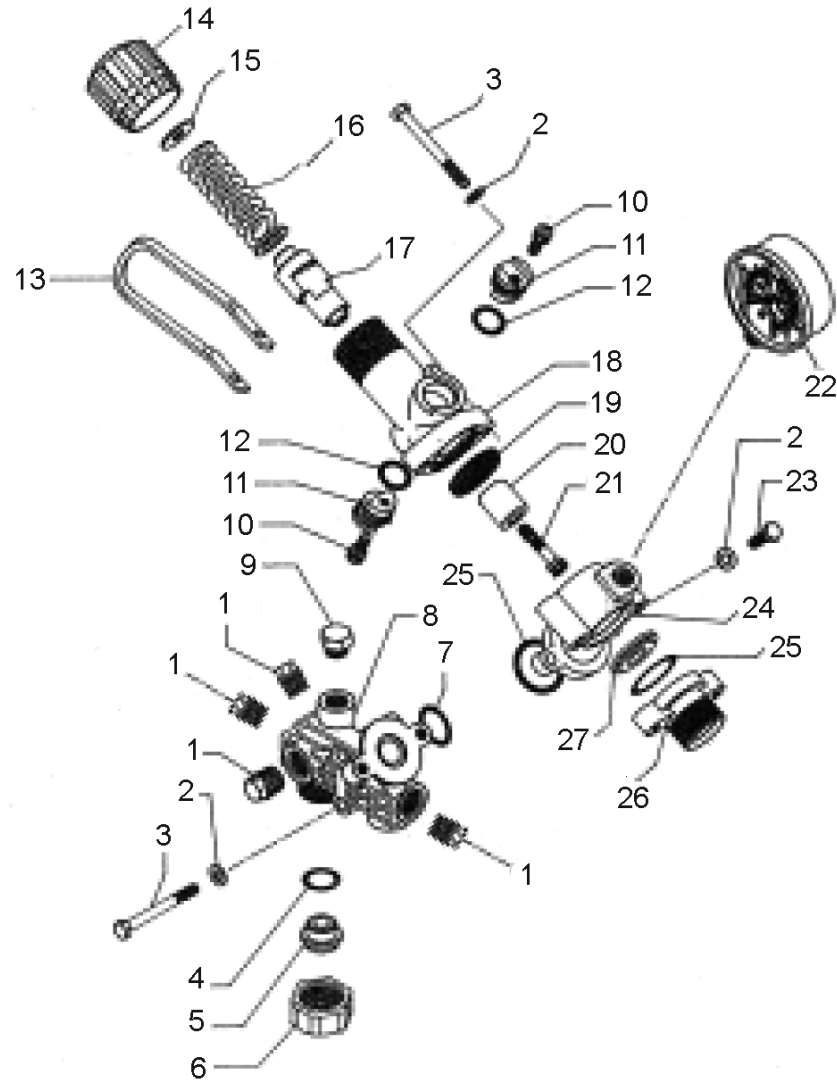
PUMP(3-0281)



3-0281A 091506

PUMP											
REF #	DESCRIPTION	PART #	QTY	REF #	DESCRIPTION	PART #	QTY	REF #	DESCRIPTION	PART #	QTY
5	Retainer Ring	C/F	2	1042	Nut	C/F	1	1843	Washer	C/F	2
67	Crankshaft	C/F	1	1072	Gasket	C/F	2	1845	Washer	C/F	6
78	Pressure Accumulator	C/F	1	1122	Air Valve Assy	C/F	1	1967	Pin	C/F	4
170	Seal	C/F	1	1299	Diaphragm	46-1303	4	2051	Snap Ring	C/F	8
240	Diaphragm Bolt	46-1300	4	1301	Diaphragm	46-1304	1	2152	Connecting Rod	C/F	4
370	Elbow	C/F	1	1380	O-Ring	C/F	1	2251	Oil Plug	C/F	2
497	Sleeve	46-1301	4	1381	O-Ring	C/F	8	2268	Head Plug	C/F	9
552	Oil Reservoir	46-1267	1	1382	O-Ring	25-0598	10	2473	Bolt	C/F	8
558	Accumulator Head	C/F	1	1386	O-Ring	25-0599	1	2583	Bolt	C/F	4
632	Pump Body	C/F	1	1398	O-Ring	C/F	1	2588	Bolt	C/F	12
698	Ball Bearing	C/F	1	1408	O-Ring	C/F	1	2589	Bolt	C/F	2
701	Ball Bearing	C/F	1	1421	O-Ring	C/F	1	2593	Bolt	C/F	8
747	Air Valve Cap Protector	C/F	1	1460	Mounting Rail	C/F	2	2594	Bolt	C/F	6
794	Washer	46-1302	4	1490	Oil Reservoir	46-1305	1	2603	Bolt	C/F	12
832	Washer	C/F	2	1578	Piston	C/F	4	7671	Washer	C/F	12
845	Nut	C/F	8	1702	Valve Assy (Eight Required) Includes 1381	46-1267	1	7948	Bolt	C/F	20
871	Nut	C/F	2	1721	Head Assy	C/F	4	8117	Diaphragm	C/F	4
884	Manifold Cover	C/F	1	1740	Oil Reservoir	70-0495	1	-	Kit- Diaphragm (Four 1301, Eight 1381, Four 8117)	70-0463	
924	Flange	C/F	1	1801	Piston/Rod Assy	C/F	4				
925	Shaft Adapter	C/F	1	1804	Accumulator Assy	70-0494	1				

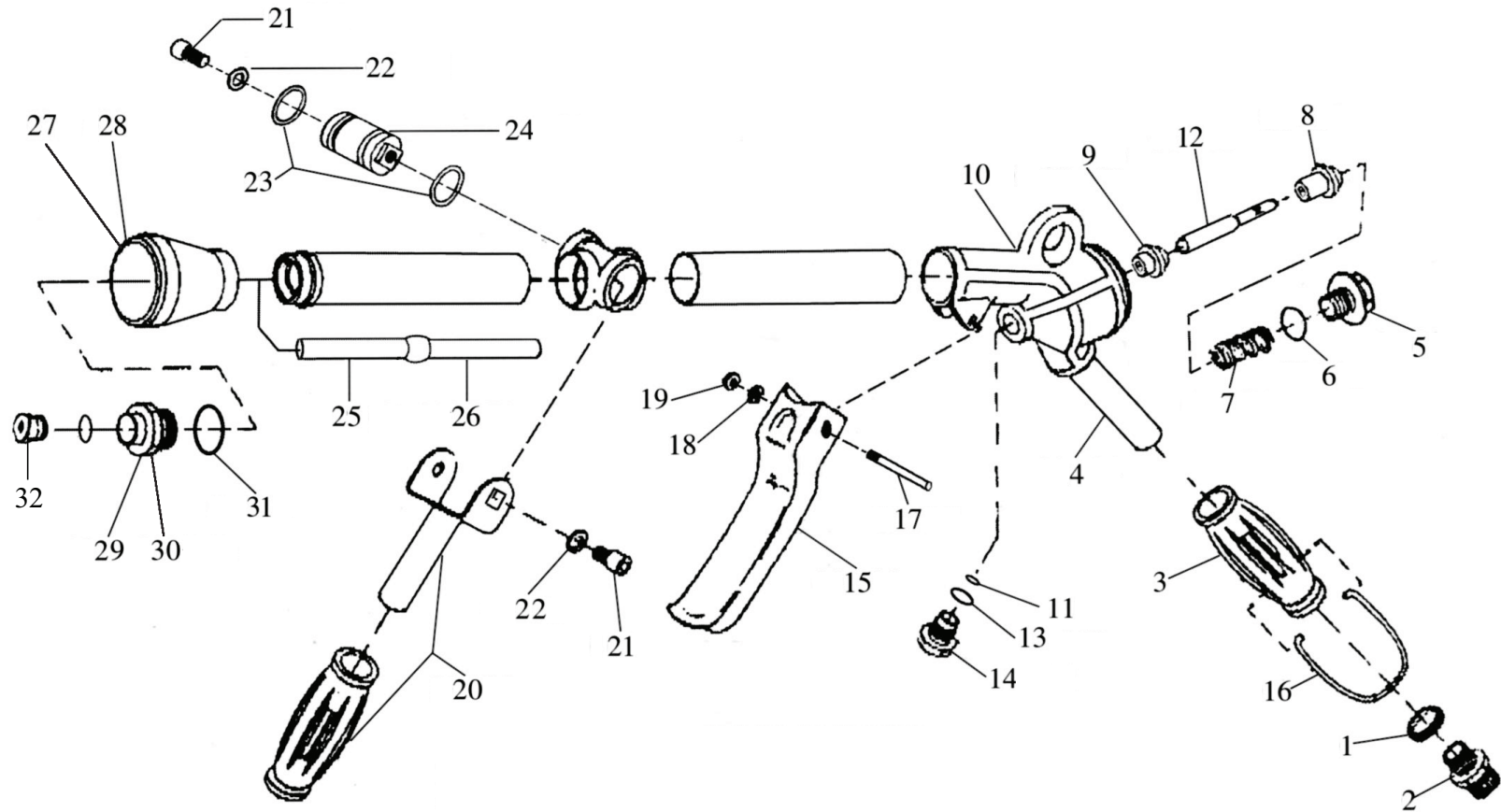
CONTROL UNIT (8-0587)



CONTROL UNIT FOR CHV-0525-0ME1_0ME3

REF. #	DESCRIPTION	PART #	QTY.		REF. #	DESCRIPTION	PART #	QTY.
-	Control Unit Complete	8-0587	1		14	Knob	7-0211	1
1	Plug	C/F	4		15	Washer	8-0588	1
2	Washer	C/F	3		16	Spring	C/F	1
3	Bolt	C/F	2		17	Valve Cylinder	8-0589	1
4	O-Ring	C/F	1		18	Valve Body	C/F	1
5	Plug	C/F	1		19	Diaphragm	8-0590	1
6	Nut	C/F	1		20	Poppet	C/F	1
7	O-Ring	C/F	1		21	Bolt	C/F	1
8	Main Body	C/F	1		22	Guage	22-0425	1
9	Plug	C/F	1		23	Bolt	C/F	1
10	Bolt	C/F	2		24	Adapter	C/F	1
11	Valve Cylinder Cam	C/F	2		25	O-Ring	C/F	2
12	O-Ring	C/F	2		26	Flange	C/F	1
13	Dump Valve Lever	C/F	1		27	Seat	C/F	1

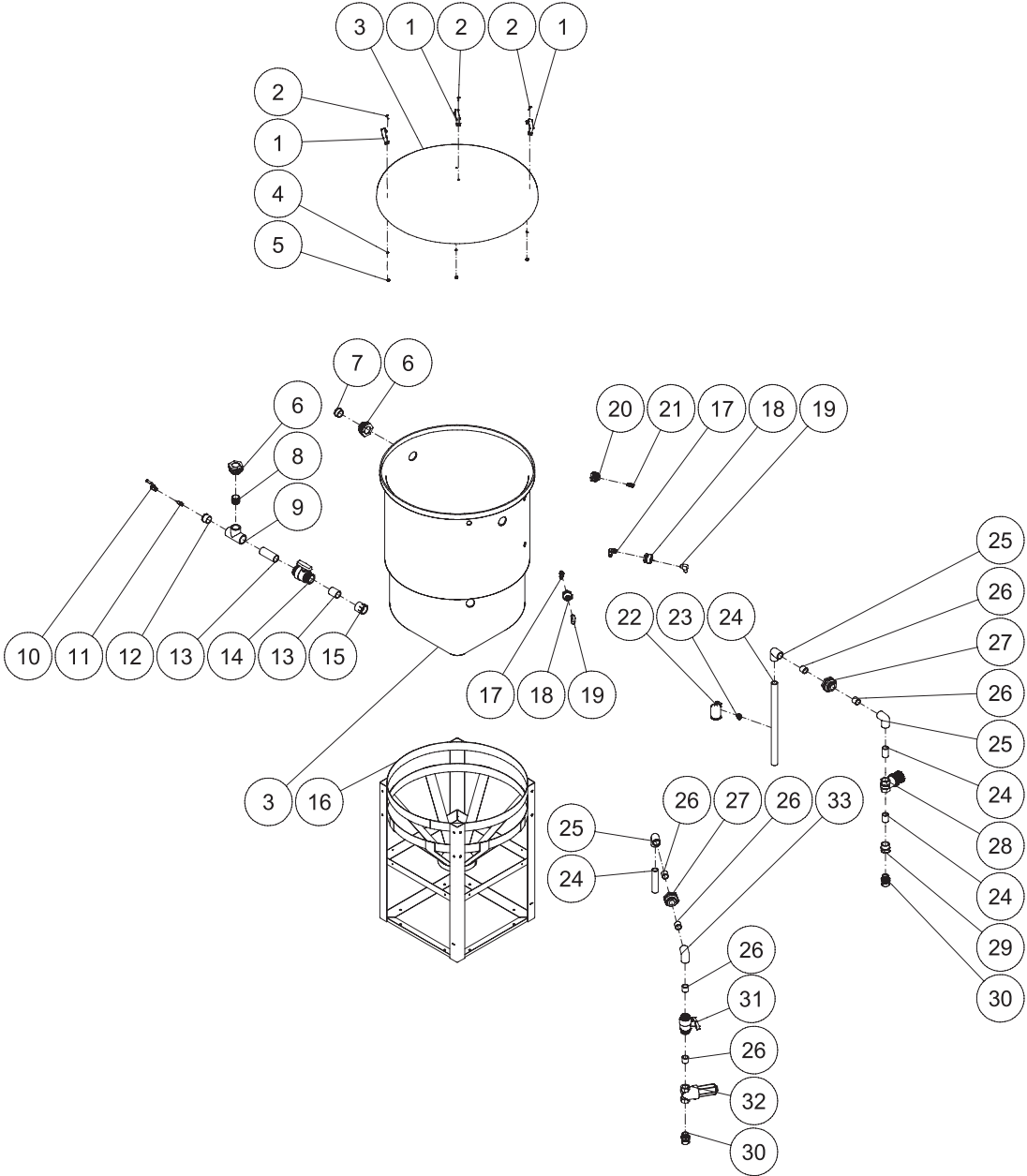
GUN (16-0440)



GUN FOR CHV-0525-0ME1_0ME3

REF. #	DESCRIPTION	PART #	QTY.	REF. #	DESCRIPTION	PART #	QTY.
-	Gun complete	16-0440	1	17	Trigger Pin	C/F	1
1	Washer	C/F	1	18	Washer	C/F	1
2	Inlet Adapter	C/F	1	19	Nut	C/F	1
3	Handle	C/F	1	20	Front Grip Assy	C/F	1
4	Inlet Tube	C/F	1	21	Bolt	C/F	2
5	Plug	C/F	1	22	Washer	C/F	2
6	O-Ring	C/F	1	23	O-Ring	C/F	2
7	Spring	C/F	1	24	Regulator	C/F	1
8	Poppet	C/F	1	25	Inner Tube	C/F	1
9	Seat	C/F	1	26	Inner Tube- Long Range	C/F	1
10	Body	C/F	2	27	Nozzle Protector	C/F	1
11	O-Ring	C/F	1	28	Nozzle Protector- Long Range	C/F	1
12	Plunger	C/F	1	29	Nozzle Retainer	C/F	1
13	O-Ring	C/F	1	30	Nozzle Retainer- Long Range	C/F	1
14	Guide	C/F	1	31	O-Ring	C/F	1
15	Trigger	C/F	1	32	Nozzle	18-0376	1
16	Trigger Clip	C/F	1				

CX-0072 OPTION 300 GALLON TANK ASSEMBLY



CX-0072-080106-CAW

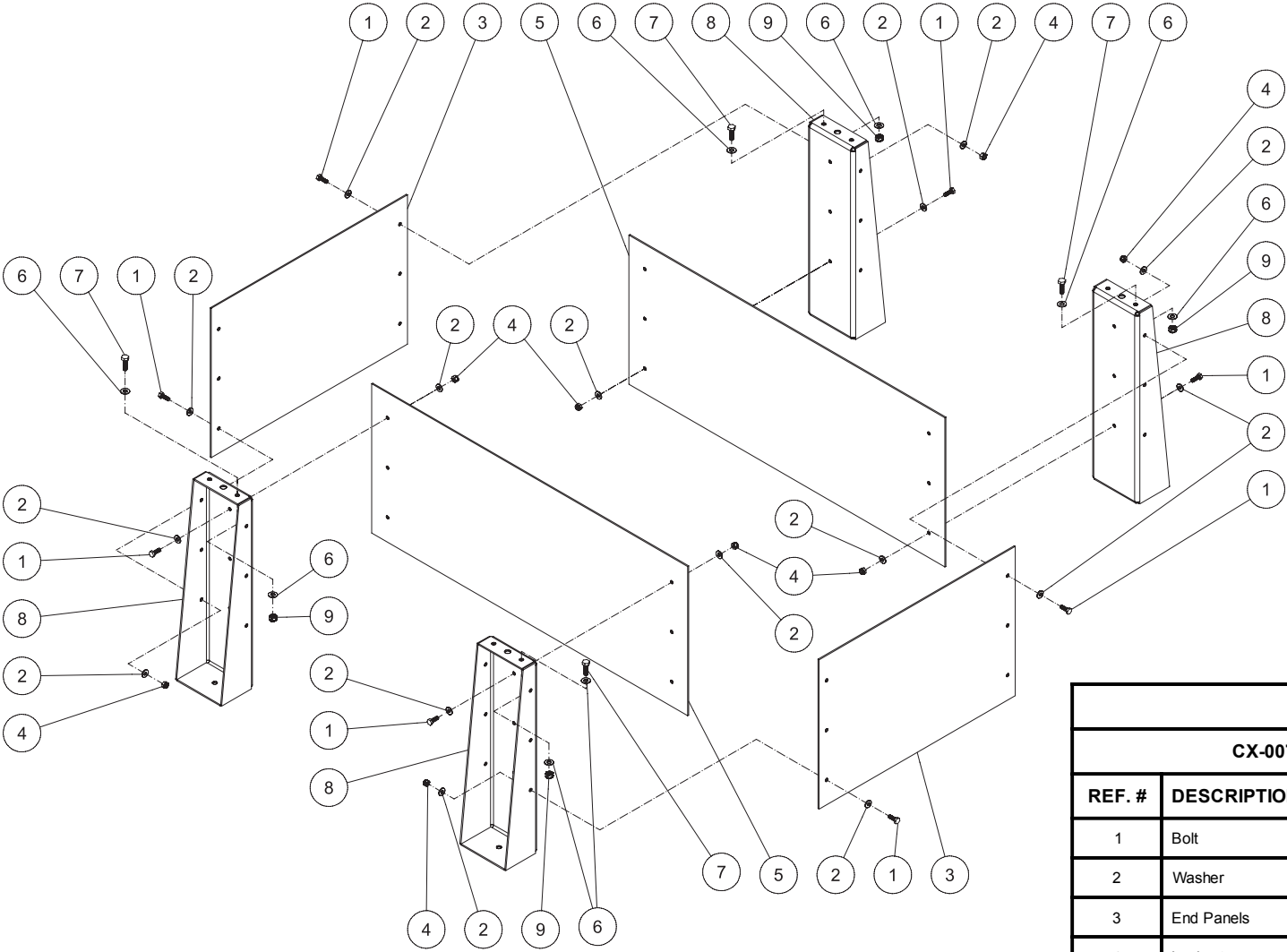
300 GALLON TANK ASSEMBLY								
REF #	DESCRIPTION	PART #	QTY		REF #	DESCRIPTION	PART #	QTY
1	Handle	07-0164	3		18	O-Ring	55-0010	2
2	Screw	27-501-	6		19	Elbow	23-0364	2
3	Clarifier Tank	12-0072	1		20	O-Ring	55-0886	1
4	Washer	28-0121	12		21	Strain Relief	32-0437	1
5	Locknut	30-5155	6		22	Cord *(50 Feet Required)	32-0530	1
6	O-Ring	55-1886	2		23	Clamp	42-0018	1
7	Pug	55-1840	1		24	Pipe *(Four Feet Required)	55-1600	1
8	Nipple	55-1874	1		25	Elbow	55-1610	3
9	Tee	55-1807	1		26	Nipple	55-1674	6
10	Ball Valve	22-0278	1		27	O-Ring	55-1686	2
11	Nipple	23-0012	1		28	Gate Valve	55-1671	1
12	Reducer	55-1832	1		29	Femail Adapter	55-1621	1
13	Pipe *(One Foot Required)	55-1800	1		30	Cam and Grove	55-0024	2
14	Ball Valve	55-1855	1		31	Ball Valve	55-1654	1
15	Female Adapter	55-1821	1		32	Filter	19-0239	1
16	Tank Stand	20-0597	1		33	Elbow	55-1611	1
17	Elbow	55-0069	2		*Must Order in Foot Lengths			

CX-0073 OPTION

CHV-0525-0ME3 CX-0073 091106-JJT

CX-0073 460V 3 PHASE OPTION							
Removes 230V Components				Adds 480V Components			
REF #	DESCRIPTION	PART #	QTY	REF #	DESCRIPTION	PART #	QTY
1	Cord *(Ten Feet Required)	32-0023	1	1	Cord *(Ten Feet Required)	32-0025	1
2	Plug	32-0037	1	2	Plug	32-0117	1
Removes 230V Components Electric Box				Adds 480V Components Electric Box			
3	Overload	32-0484	1	3	Overload	32-0842	1
4	Contactora	32-0597	1	4	Contactora	32-0327	1
5	Fuse	32-0619	1	5	Fuse	32-0323	1
6	Fuse	32-0469	1	6	Fuse	32-0325	1

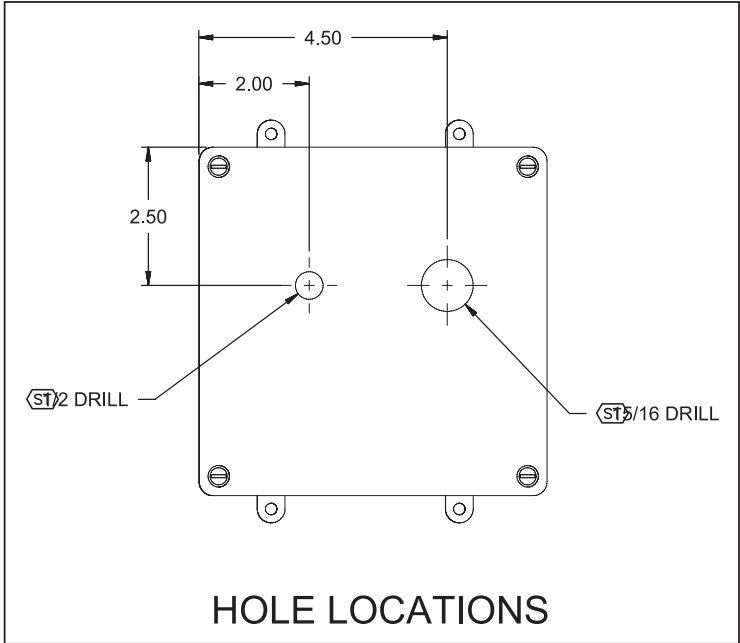
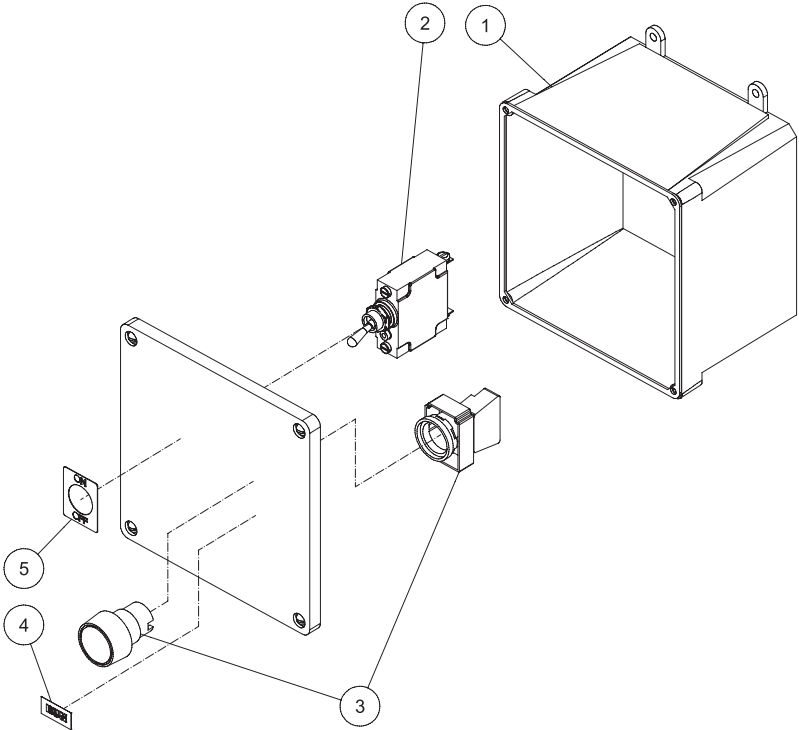
CX-0074 LEG EXTENSION KIT



CX-0074-100506-CAW			
CX-0074 LEG EXTENSION KIT			
REF. #	DESCRIPTION	PART #	QTY.
1	Bolt	27-0015	24
2	Washer	28-0002	48
3	End Panels	20-0942A01	2
4	Locknut	30-0155	24
5	Side Panels	20-0941A01	2
6	Washer	28-0003	16
7	Bolt	27-0067	8
8	Leg Bracket	13-0183A01	4
9	Locknut	30-0157	8

CX-0074-100506-CAW

CX-0075 REMOTE BOX ASSEMBLY



CX-0075-100506-JJT

CX-0075 REMOTE BOX ASSEMBLY			
REF. #	DESCRIPTION	PART #	QTY.
1	Electrical Box	32-0702	1
2	Switch	32-0408	1
3	Switch Push Button	32-0534	1
4	Decal- Run	34-0250	1
5	Decal- ON/OFF	34-0612	1

CX-0075-100506-JJT

Manufactured by Mi-T-M
8650 Enterprise Drive, Peosta IA 52068
563-556-7484/ Fax 563-556-1235