



PARTS LIST FOR
AIR COMPRESSOR/GENERATOR/WELDER
AGW-SH22-20M

ENGINE:	HONDA
ENGINE OIL GRADE:	SAE 10W-30
ENGINE OIL CAPACITY:	67.6 oz.
MAXIMUM PRESSURE:	175 PSI
COMPRESSOR OIL GRADE:	SAE30W Non-Detergent
COMPRESSOR OIL CAPACITY:	48 oz.
WATTS W/COMPRESSOR:	150 psi - 4500 watts
WATTS W/O COMPRESSOR:	4500

This Parts Listing has been compiled for your benefit. You can be assured your Mi-T-M Air Compressor/Generator/Welder was constructed and designed with quality and performance in mind. Each component has been rigorously tested to insure the highest level of acceptance.

The contents of this Parts Listing are based on the latest product information available at the time of publication. Mi-T-M reserves the right to make changes in price, color, materials, equipment, specifications or models at any time without notice.

WARNING

THIS IS A PROFESSIONAL AIR COMPRESSOR/GENERATOR/WELDER. CAUTION SHOULD BE OBSERVED WHEN USING OR REPAIRING THIS UNIT! READ AND FOLLOW THE SAFETY WARNINGS LISTED BELOW BEFORE ATTEMPTING ANY REPAIRS ON THIS AIR COMPRESSOR/GENERATOR!

SAFETY WARNINGS

1. NEVER alter or modify the equipment. Be sure any accessory items and system components being used will withstand the pressure developed. Serious injury may occur from an air compressor malfunction or exploding accessories if incorrect system components, attachments or accessories are used. NEVER exceed manufactures maximum allowable pressure rating of attachments. Use only genuine Mi-T-M parts for repair of your air compressor/generator/welder. Failure to do so can cause hazardous operating conditions and will VOID warranty.
2. NEVER make adjustments on machinery while the unit is connected to the engine without first removing the ignition cable from the spark plug. Turning over the machinery by hand during adjustment or cleaning might start the engine and machinery with it, causing serious injury to the operator.
3. Know how to stop and bleed pressures quickly. Be thoroughly familiar with controls. Do not operate without protective covers/ guards.
4. Before servicing the unit, turn unit off, relieve the pressure and allow the unit to cool down. Service in a clean, dry, flat area. Block the wheels to prevent the unit from moving. Be especially careful to properly dispose of any flammable materials.
5. After testing the machine, DO NOT leave the pressurized unit unattended. Shut off the unit and release pressure before leaving.

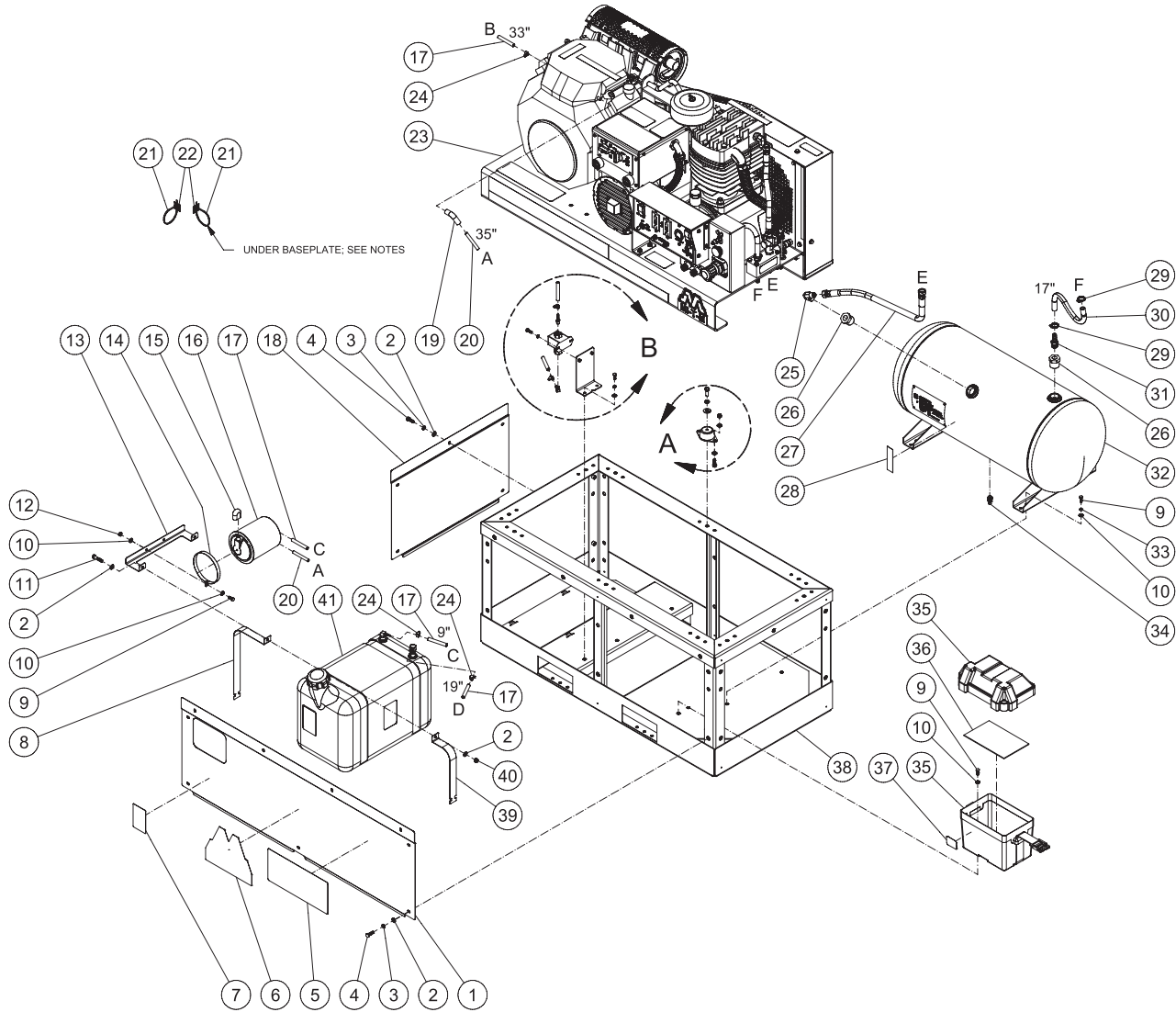
Table of Contents

SPECIFICATIONS	3
FRAME ASSEMBLY	4
BASEPLATE ASSEMBLY	6
CONTROL BOX ASSEMBLY	8
GAS TANK ASSEMBLY	10
ENGINE ASSEMBLY	12
PUMP ASSEMBLY (3-0304)	14
PILOT VALVE (22-0270)	16
WIRING DIAGRAM	18
WIRING SCHEMATIC	19

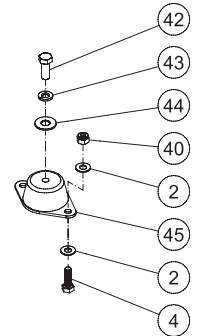
SPECIFICATIONS

MODEL NUMBER	AGW-SH22-20M	
Engine:	Honda	
Model	GX690	
Oil Type	SAE10W 30	
Oil Capacity	67.6 oz.	
Low Oil Protection	Oil Alert	
Fuel Type	Unleaded Gasoline 87 Octane Minimum	
Fuel Capacity	10 Gallon	
Maximum No Load RPM	3600	
Generator/Welder:	AC Output	DC Amps
Voltage/Amps	120V - 37.5A 240V - 17.8A	50A - 220A
Watts	4500	
Compressor Pump:		
Number of Cylinders	2	
Compression Stages	2	
First Stage Bore	4.72"	
Second Stage Bore	2.56"	
Stroke	3.15"	
Max RPM	1000	
Flywheel	16.5"	
Lubrication	Splash	
Oil Quantity	48.0 oz.	
Oil Type	30 W Non Detergent	
Crankcase	Cast Iron	
Bearings	Ball	
Cylinder	Cast Iron	
Valves	Reed	
Head	Cast Iron	
Filter	Canister	
Pilot Valve Setting:		
Cut-out	175 PSI	
Cut-in	125 PSI	
Air Tank:		
Capacity	20 Gallons	
Performance:		
CFM @ 175 PSI	29.0	
Maximum Pressure	175 PSI	
Pump-up Time: 0-125 PSI	1 min. 10 sec	
Recovery Time: 90-125 PSI	15 sec	
Weight:		
Net	803 lbs	
Shipping	870 lbs	
Dimensions:		
Basic L x W x H	47" x 24" x 47.5"	
Shipping L x W x H	47" x 32" x 48.5"	

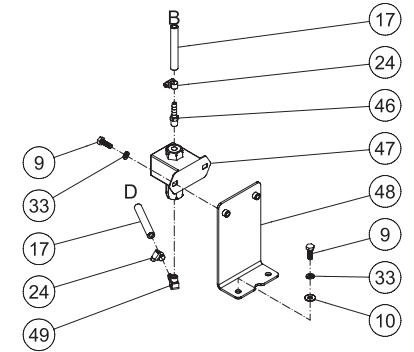
FRAME ASSEMBLY



(21) (22) (21)
 UNDER BASEPLATE; SEE NOTES



DETAIL A



DETAIL B

AGW-SH22-20M 111518 JJR

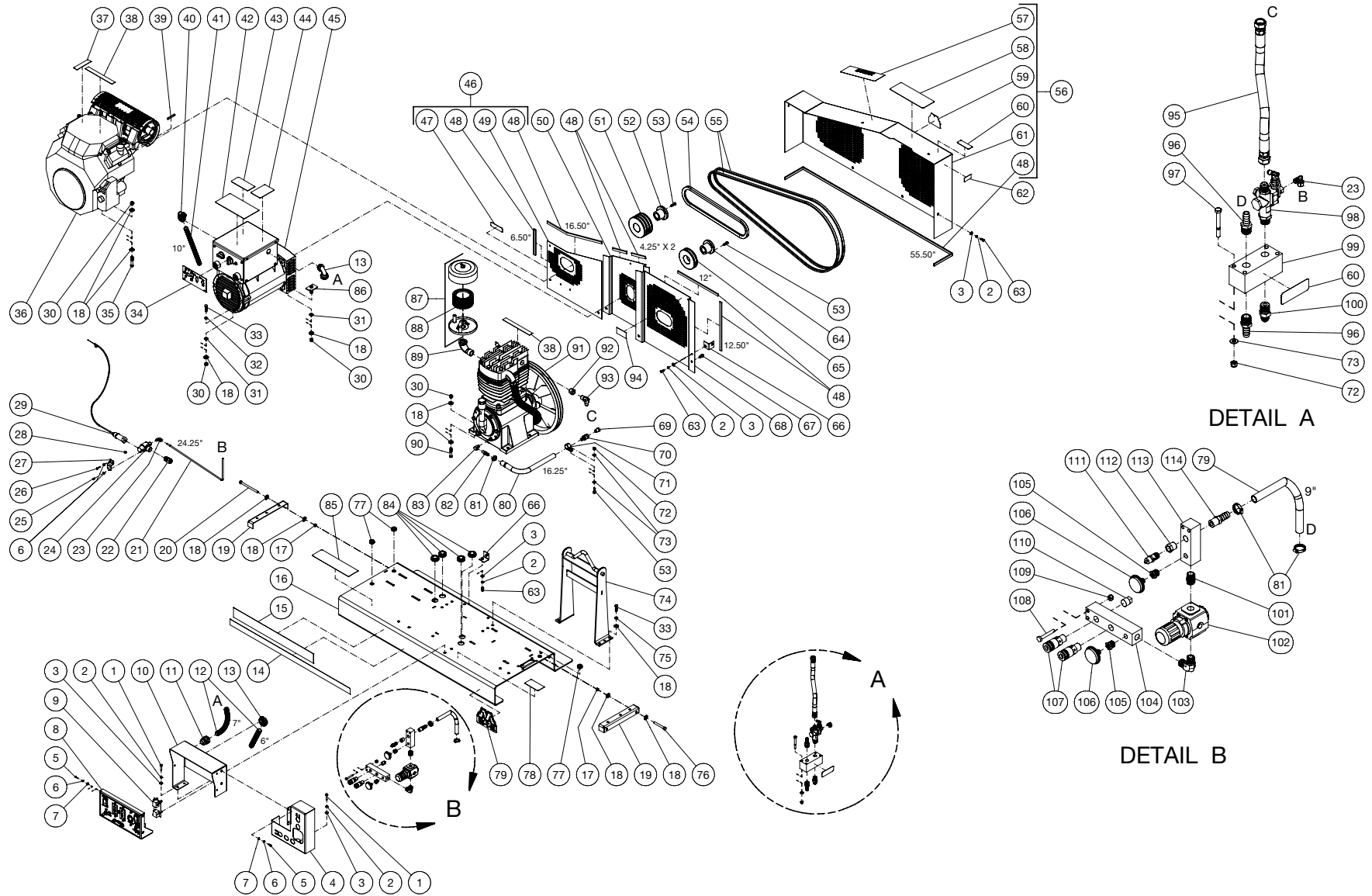
FRAME ASSEMBLY

ITEM	DESCRIPTION	PART #	QTY	ITEM	DESCRIPTION	PART #	QTY
1	FRONT PANEL	20-1330A18	1	26	REDUCER	23-0226	2
2	WASHER	28-0003	47	27	HOSE	15-0275	1
3	LOCKWASHER	29-0007	19	28	DECAL - TANK DRAIN (SEE 71-2009)	N/A	2
4	BOLT	27-0067	31	29	HOSE CLAMP	42-0011	2
5	DECAL - OPERATIONS (SEE 71-2009)	N/A	1	30	HOSE *(TWO FEET REQUIRED)	15-0007	1
6	DECAL - #5M	N/A	1	31	BARB	23-0045	1
7	DECAL - CAUTION: GASOLINE ONLY (SEE 71-2009)	N/A	1	32	AIR TANK	12-0247A18	1
8	TANK STRAP	20-1328A18	2	33	LOCKWASHER	29-0006	8
9	BOLT	27-0015	14	34	PETCOCK	23-0312	1
10	WASHER	28-0002	14	35	BATTERY BOX	33-0092	1
11	BOLT	27-0069	2	36	RUBBER PAD	33-0509	1
12	LOCKNUT	30-0155	2	37	DECAL	N/A	1
13	CARB CANISTER MOUNT	20-1197A18	1	38	FRAME	5-0329A18	1
14	CARB CANISTER STRAP	20-1187A01	2	39	TANK STRAP	20-1329A18	2
15	BREATHER VENT COVER	62-0218	1	40	LOCKNUT	30-0157	14
16	CARB CANISTER	62-0212	1	41	GAS TANK ASSEMBLY	HDS GAS TANK ASSY	1
17	FUEL HOSE *(SIX FEET REQUIRED)	15-0008	1	42	BOLT	27-0117	6
18	SIDE PANEL	20-1331A18	2	43	LOCKWASHER	29-0008	6
19	AIR CLEANER ADAPTER	62-0229	1	44	WASHER	28-0023	6
20	FUEL HOSE *(THREE FEET REQUIRED)	15-0261	1	45	ISOLATOR	14-0109	6
21	CABLE TIE	33-0022	6	46	HOSE BARB	23-0377	1
22	MOUNTING BASE	32-0621	4	47	FUEL PUMP	3-0388	1
23	BASEPLATE ASSEMBLY	N/A SEP	1	48	BRACKET	13-0223A18	1
24	CLAMP WORM	42-0004	5	49	ELBOW	23-0501	1
25	90° ELBOW FITTING	24-0074	1	-	DECAL SET	71-2009	1

*MUST ORDER IN ONE FOOT LENGTHS

BASEPLATE ASSEMBLY

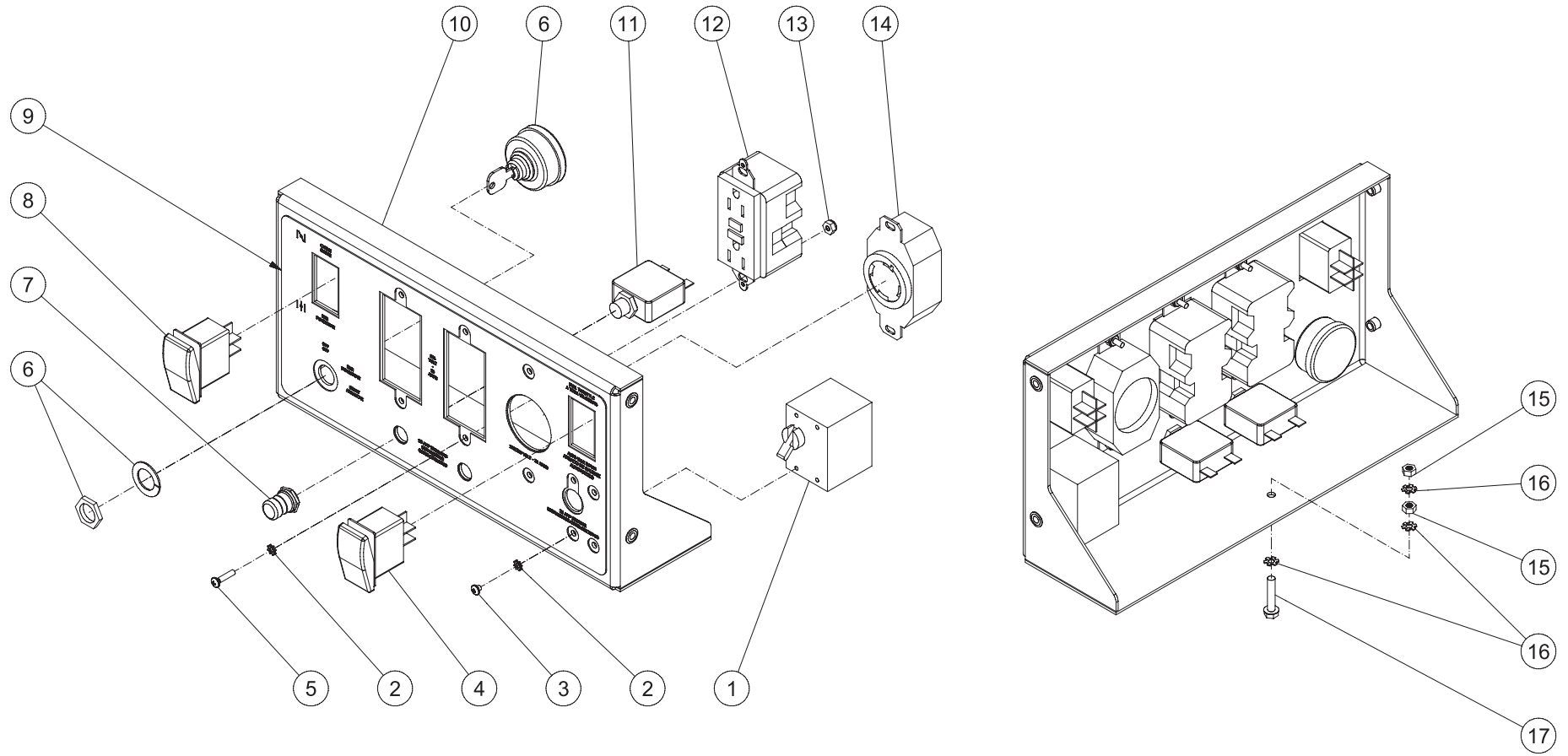
AGW-SH22-20M BASEPLATE ASSY 111518 JJR



				AGW-SH22-20M BASEPLATE ASSY 111518 JJR			
BASEPLATE ASSEMBLY							
TIEM	DESCRIPTION	PART #	QTY	TIEM	DESCRIPTION	PART #	QTY
1	BOLT	27-0017	4	59	DECAL - #2M (SEE 71-2009)	N/A	1
2	LOCKWASHER	29-0006	16	60	DECAL - RISK OF BURNS (SEE 71-2009)	N/A	2
3	WASHER	28-0002	16	61	BELTGUARD FRONT	6-0165A18	1
4	CONTROL COVER	20-1336A18	1	62	DECAL - MADE IN USA	34-3553	1
5	BOLT	27-8878	6	63	BOLT	27-0015	12
6	STAR WASHER	28-1009	10	64	BUSHING	9-0097	1
7	WASHER	28-0001	6	65	SHEAVE	10-0158	1
8	CONTROL BOX ASSY	N/A SEP	1	66	BRACKET	13-0224A18	6
9	IDLER BOARD	32-1101	1	67	BOLT	27-9524	4
10	ELECTRIC BOX	20-1334A18	1	68	BELTGUARD	6-0163A18	1
11	CONDUIT STRAIGHT	32-0488	1	69	PLUG	23-0411	1
12	CONDUIT *(TWO FEET REQUIRED)	32-0486	1	70	HOSE BARB	23-0360	1
13	CONDUIT ELBOW	32-0487	2	71	CLIP	33-0291	1
14	DECAL - MI-T-M STRIPE (SEE 71-2009)	N/A	1	72	LOCKNUT	30-0157	5
15	DECAL - (SEE 71-2009)	N/A	1	73	WASHER	28-0003	6
16	BASE PLATE	5-0330A18	1	74	LIFT HOOK	13-0215A18	1
17	NUT	30-0006	4	75	LOCKWASHER	29-0008	6
18	WASHER	28-0023	33	76	BOLT	27-0576	2
19	TENSIONER BRACKET	20-1332A18	2	77	GROMMET	33-0547	3
20	BOLT	27-0133	2	78	DECAL- SILVER STICKER	N/A	1
21	COPPER TUBE *(THREE FEET REQUIRED)	54-0034	1	79	DECAL - MI-T-M (SEE 71-2009)	N/A	1
22	STRAIN RELIEF	32-0437	1	80	HOSE *(TWO FEET REQUIRED)	15-0007	1
23	ELBOW	23-0316	2	81	HOSE CLAMP	42-0011	3
24	SOLENOID	22-0469	1	82	HOSE BARB	23-0120	1
25	SCREW	27-8933	2	83	ELBOW	23-0014	1
26	SCREW	27-2811	2	84	GROMMET	33-0546	4
27	SOLENOID BRACKET	13-0216A18	1	85	DECAL - OPERATIONS (SEE 71-2009)	N/A	1
28	NUT	30-0154	2	86	MOUNTING BOLT	20-1274A18	2
29	THROTTLE CONTROL	33-0549	1	87	FILTER CANISTER	19-0237	1
30	LOCKNUT	30-0159	11	88	FILTER REPLACEMENT	19-0226	1
31	WASHER	28-0004	3	89	ELBOW	23-0088	1
32	WASHER	28-0068	1	90	BOLT	27-0121	4
33	BOLT	27-0118	7	91	PUMP	3-0304	1
34	DECAL - WELDER CONTROL PANEL	N/A	1	92	BUSHING	23-0023	1
35	BOLT	27-0122	4	93	90° ELBOW FITTING	24-0074	1
36	ENGINE ASSY	854-0124	1	94	DECAL- MOBILE PRO	34-3660	1
37	DECAL - RISK OF BURNS (SEE 71-2009)	N/A	1	95	HOSE	15-0334	1
38	DECAL - CHECK OIL	N/A	2	96	BARB	23-0045	2
39	KEY	43-0078	1	97	BOLT	27-0074	4
40	CONDUIT ELBOW	32-0254	1	98	PILOT VALVE	22-0270	1
41	CONDUIT FLEX *(ONE FOOT REQUIRED)	32-0253	1	99	MANIFOLD BLOCK	51-0045	1
42	DECAL - WELDER OPERATING INST. (SEE 71-2009)	N/A	1	100	NIPPLE	24-0054	1
43	DECAL - RISK OF SHOCK (SEE 71-2009)	N/A	1	101	NIPPLE	24-0175	1
44	DECAL - WELDING CHART (SEE 71-2009)	N/A	1	102	REGULATOR	22-0395	1
45	WELDER/GENERATOR	32-1096	1	103	ELBOW	24-0131	1
46	BELTGUARD BACK ASSEMBLY- BLACK	854-0128	1	104	MANIFOLD BLOCK	51-0039	1
47	DECAL - BELTGUARD IN PLACE (SEE 71-2009)	N/A	1	105	REDUCER	23-0111	2
48	EDGING *(TEN FEET REQUIRED)	33-0020	1	106	PRESSURE GAUGE	22-0271	2
49	BELTGUARD	6-0162A18	1	107	QC SOCKET	17-0068	2
50	BELTGUARD	6-0164A18	1	108	BOLT	27-0019	4
51	SHEAVE	10-0157	1	109	LOCKNUT	30-0155	4
52	BUSHING	9-0071	1	110	PLUG	24-0034	1
53	BOLT	27-0067	7	111	PRESSURE RELIEF VALVE	22-0267	1
54	BELT	11-0047	1	112	REDUCER	23-0017	1
55	BELT	11-0095	2	113	MANIFOLD BLOCK	51-0033	1
56	BELTGUARD FRONT ASSEMBLY- BLACK	854-0126	1	114	HOSE BARB	23-0105	1
57	DECAL- WARNING (SEE 71-2009)	N/A	1	-	DECAL SET	71-2009	1
58	DECAL - MAINTENANCE (SEE 71-2009)	N/A	1	*MUST ORDER IN ONE FOOT LENGTHS			

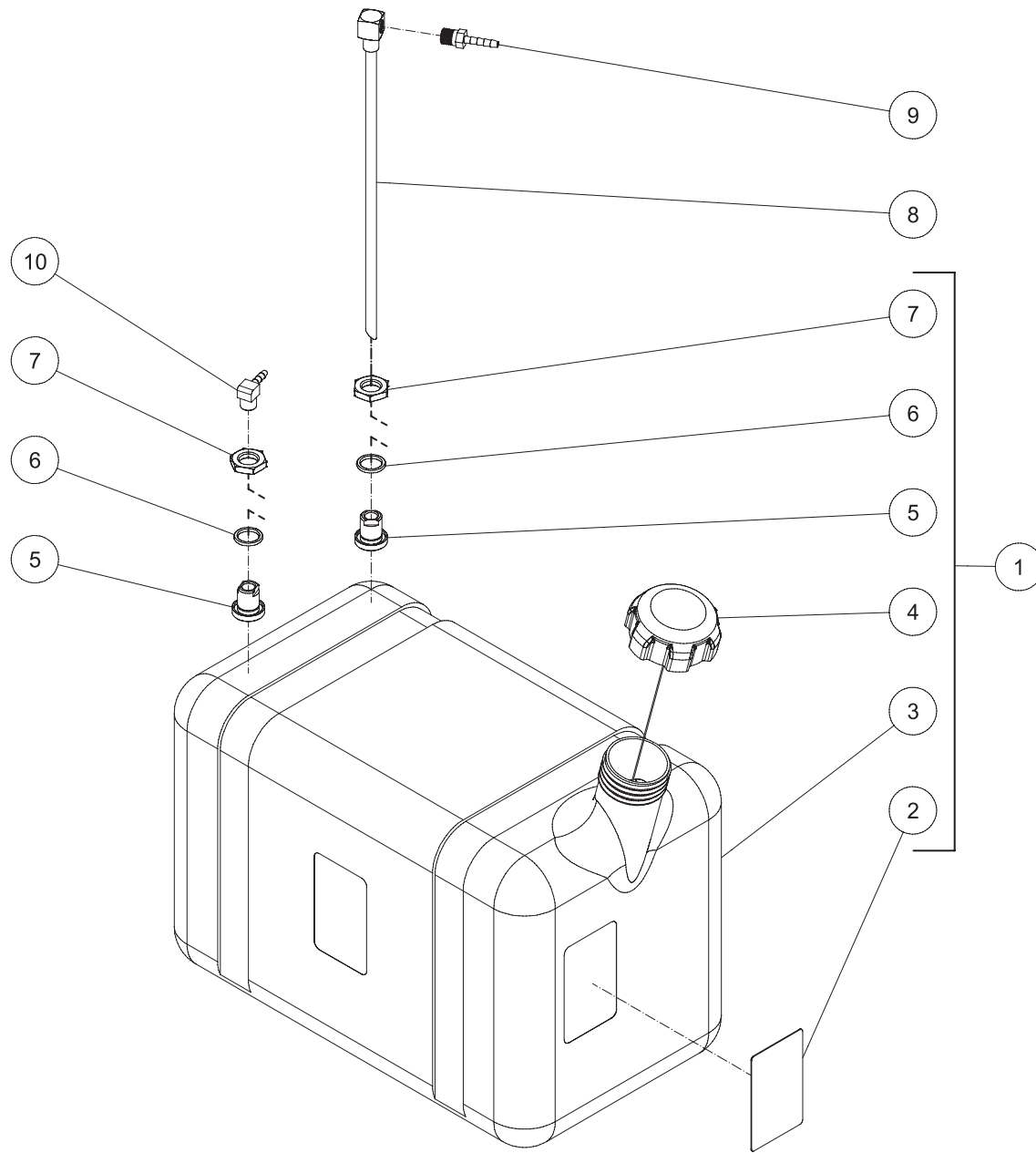
CONTROL BOX ASSEMBLY

CONTROL BOX ASSEMBLY-AGW-SH22-20M 080315 RSW



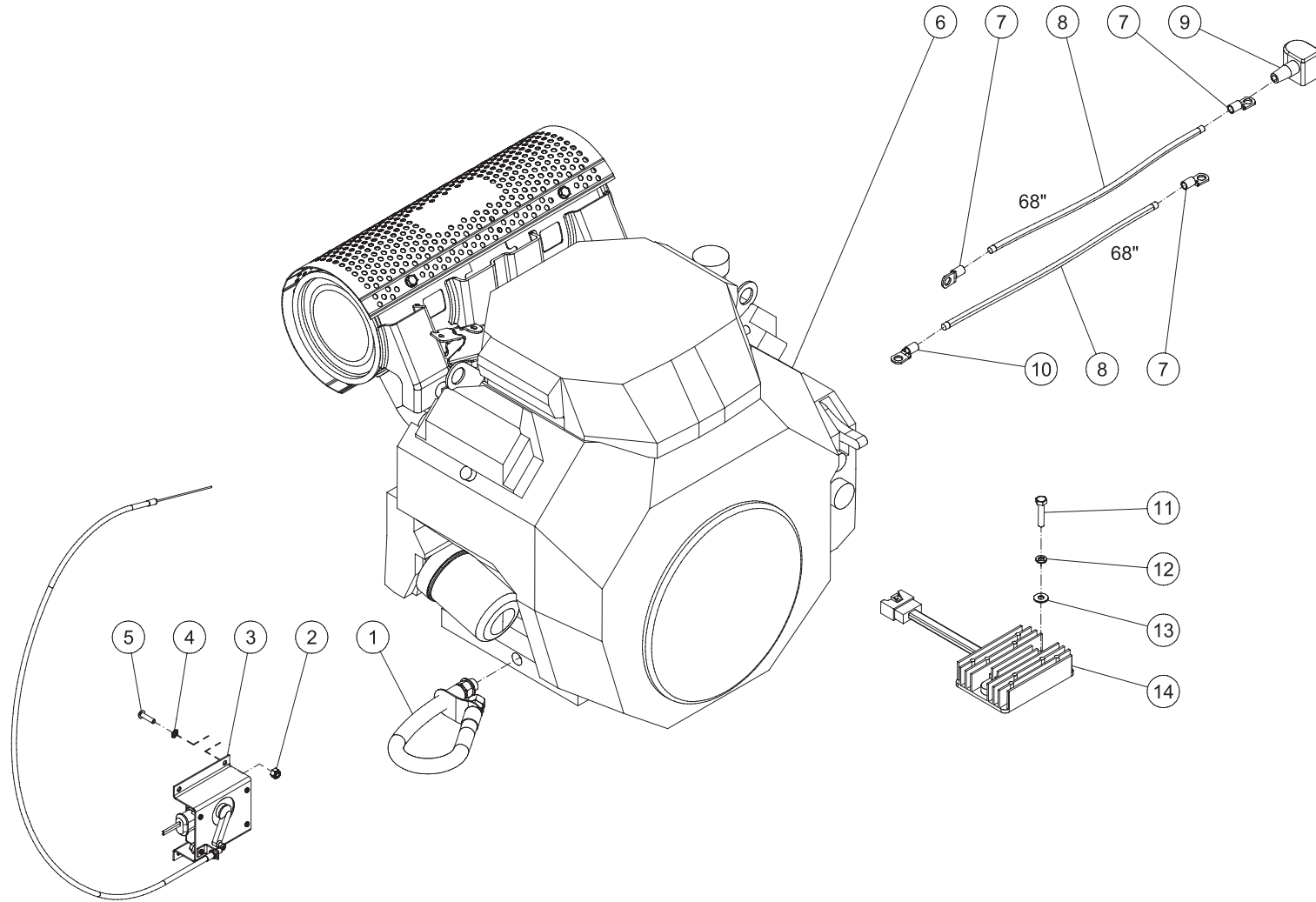
CONTROL BOX ASSEMBLY AGW-SH22-20M 080315 RSW			
CONTROL BOX ASSEMBLY			
ITEM	DESCRIPTION	PART #	QTY
1	TOGGLE BREAKER - 20A	32-0835	1
2	LOCKWASHER	29-1013	10
3	SCREW	27-9574	4
4	ROCKER SWITCH	32-1103	1
5	SCREW	27-8881	6
6	KEY SWITCH (SEE ENGINE BREAKDOWN)	W/ ENGINE	1
7	CIRCUIT BREAKER BOOT	32-0441	2
8	ROCKER SWITCH	32-1136	1
9	DECAL - AGW CONTROL PANEL (SEE 71-2009)	N/A	1
10	CONTROL PANEL	20-1335A01	1
11	CIRCUIT BREAKER	32-0438	2
12	GFCI DUPLEX RECEPTACLE	32-0830	2
13	LOCKNUT	30-0152	6
14	125/250 VOLT RECEPTACLE	32-0833	1
15	NUT	30-6001	2
16	STAR WASHER	28-1009	3
17	BOLT	27-8807	1

GAS TANK ASSEMBLY



GAS TANK ASSEMBLY AGW-SH22-20M 040213 KMD			
GAS TANK ASSEMBLY			
ITEM	DESCRIPTION	PART #	QTY
1	GAS TANK ASSY (INC 2-7)	850-0306	1
2	DECAL- CAUTION: GASOLINE ONLY	34-1180	1
3	FUEL TANK - RED	N/A	1
4	FUEL CAP - SEALED/TETHERED	12-0220	1
5	BULKHEAD FITTING	23-0408	2
6	O-RING	25-0427	2
7	NUT	23-0409	2
8	FUEL PICK-UP	33-0352	1
9	BARB	23-0051	1
10	ELBOW	23-0054	1

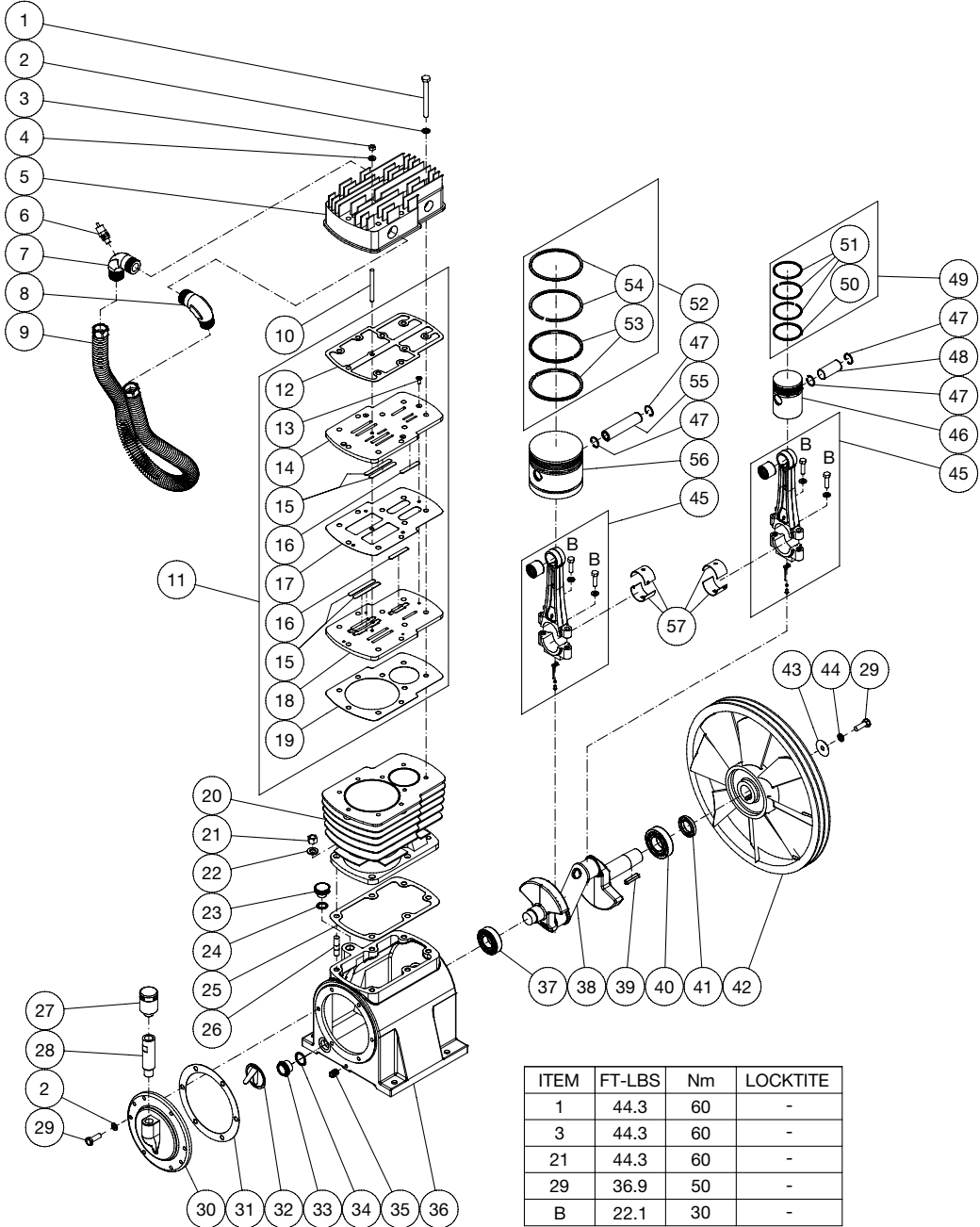
ENGINE ASSEMBLY



854-0124 082416 JDK

854-0124 082416 JDK			
ENGINE ASSEMBLY			
ITEM	DESCRIPTION	PART #	QTY
1	DRAIN HOSE	70-0555	1
2	NUT	30-0154	4
3	CHOKE ACTUATOR	32-1215	1
4	STAR WASHER	28-1009	4
5	SCREW	27-2811	4
6	ENGINE	1-0220	1
7	TERMINAL RING	32-0097	3
8	CABLE *(TWELVE REQUIRED)	32-0065	1
9	BATTERY CABLE COVER	33-0004	1
10	TERMINAL RING	32-0744	1
11	BOLT	27-0017	2
12	LOCKWASHER	29-0006	2
13	WASHER	28-0002	2
14	RECTIFIER	W/ ENGINE	1
*MUST ORDER IN ONE FOOT LENGTHS			

PUMP ASSEMBLY (3-0304)



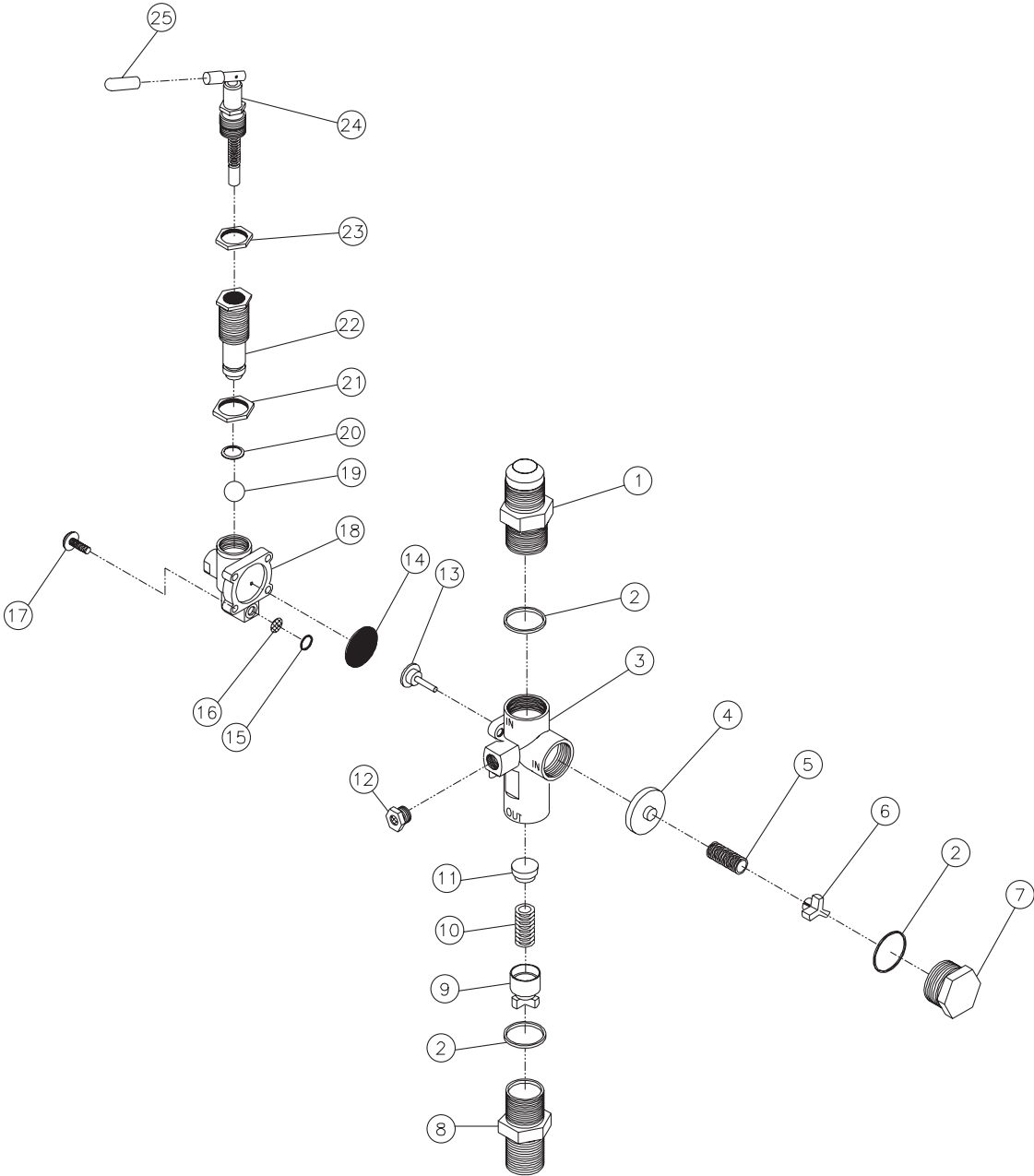
ITEM	FT-LBS	Nm	LOCKTITE
1	44.3	60	-
3	44.3	60	-
21	44.3	60	-
29	36.9	50	-
B	22.1	30	-

3-0304 102918 JRC

PUMP ASSEMBLY

ITEM	TITLE	PART #	QTY	ITEM	TITLE	PART #	QTY
1	BOLT	27-8072	9	30	REAR CRANKCASE COVER	46-1278	1
2	COPPER WASHER	28-1059	15	31	GASKET	N/A	1
3	NUT	30-0058	1	32	OBSTRUCT OIL NET	46-1279	1
4	WASHER	28-1011	1	33	OIL LEVEL SIGHT GLASS	46-1280	1
5	PUMP HEAD	46-1318	1	34	O-RING	25-0150	1
6	LP SAFETY VALVE	22-0362	1	35	PLUG	24-0009	1
7	OUTLET ELBOW W/PORT	24-0310	1	36	PUMP CRANKCASE	46-1321	1
8	OUTLET ELBOW	24-0311	1	37	BALL BEARING	48-0024	1
9	INTERCOOLER TUBE	46-1319	1	38	PUMP CRANKSHAFT	46-1322	1
10	STUD	46-1794	1	39	KEY	43-0125	1
11	VALVE PLATE GASKETS/REEDS (Inc. 12-19)	70-0505	1	40	BALL BEARING	48-0014	1
12	GASKET	N/A	1	41	OIL SEAL	N/A	1
13	SCREW	N/A	4	42	FLYWHEEL	10-0141	1
14	UPPER VALVE PLATE	N/A	1	43	WASHER	N/A	1
15	LP REED VALVE	N/A	4	44	LOCKWASHER	29-0055	1
16	HP REED VALVE	N/A	2	45	KIT - CONNECTING ROD ASSY	70-0506	2
17	GASKET	N/A	1	46	HP PISTON	46-1323	1
18	LOWER VALVE PLATE	N/A	1	47	PISTON PIN SNAP RING	46-1324	4
19	GASKET	N/A	1	48	HP PISTON PIN	46-1325	1
20	CYLINDER	46-1320	1	49	KIT - HP PISTON RINGS	70-0507	1
21	HEX NUT	N/A	6	50	OIL RING	N/A	1
22	LOCKWASHER	N/A	6	51	COMPRESSION RING	N/A	3
23	OIL FILL CAP	46-1281	1	52	KIT - LP PISTON RINGS	70-0508	1
24	O-RING	25-0160	1	53	OIL RING	N/A	2
25	GASKET	N/A	1	54	COMPRESSION RING	N/A	2
26	STUD	N/A	6	55	LP PISTON PIN	46-1326	1
27	BREATHER ASSY	46-1276	1	56	LP PISTON	46-1327	1
28	BREATHER PIPE	46-1277	1	57	CONNECTING ROD BUSHING	46-1328	4
29	BOLT	N/A	7	-	KIT - PUMP GASKETS (Inc. 12, 17, 19, 25, 31)	70-0509	1

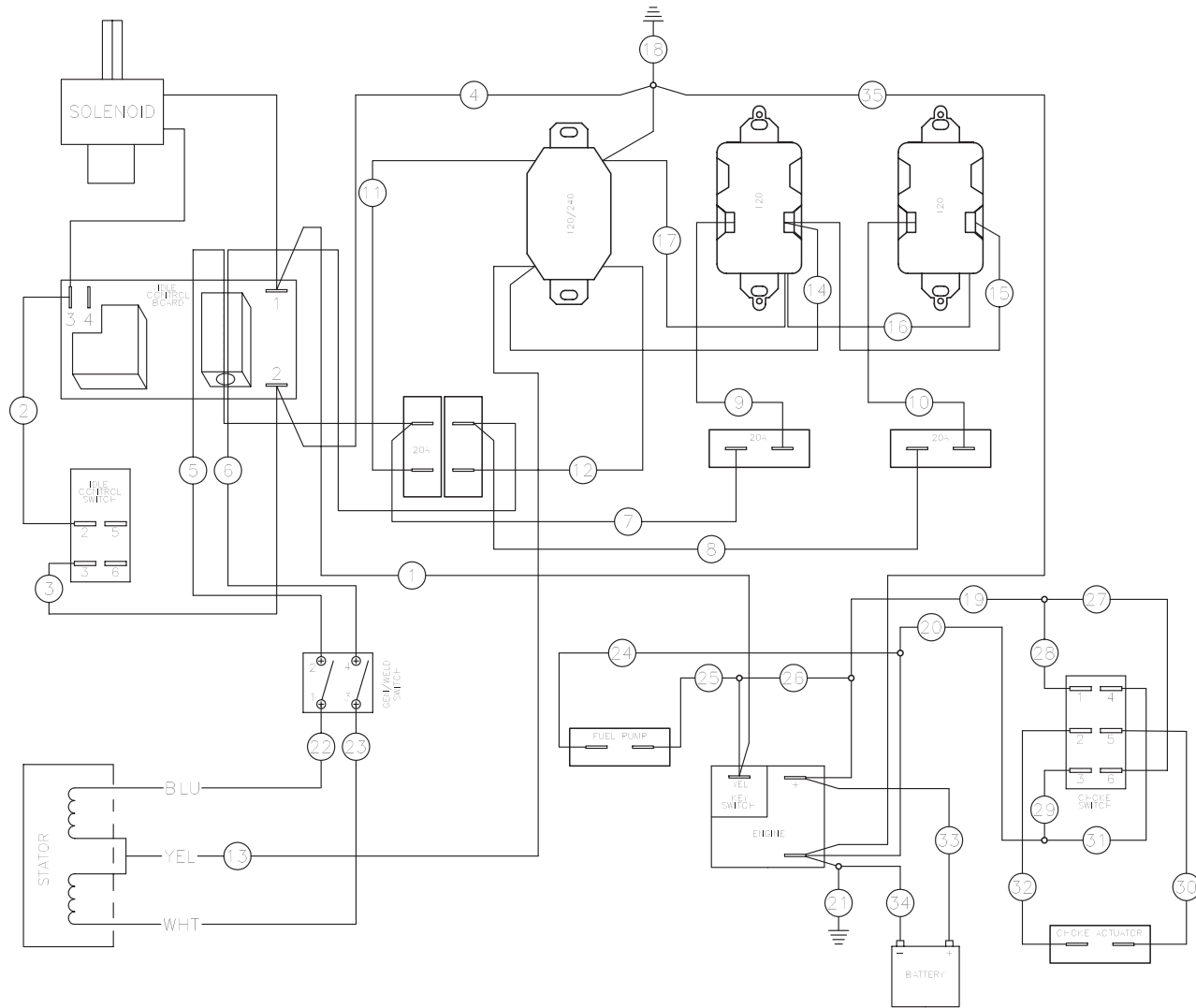
PILOT VALVE (22-0270)



22-0270 062905 DLG

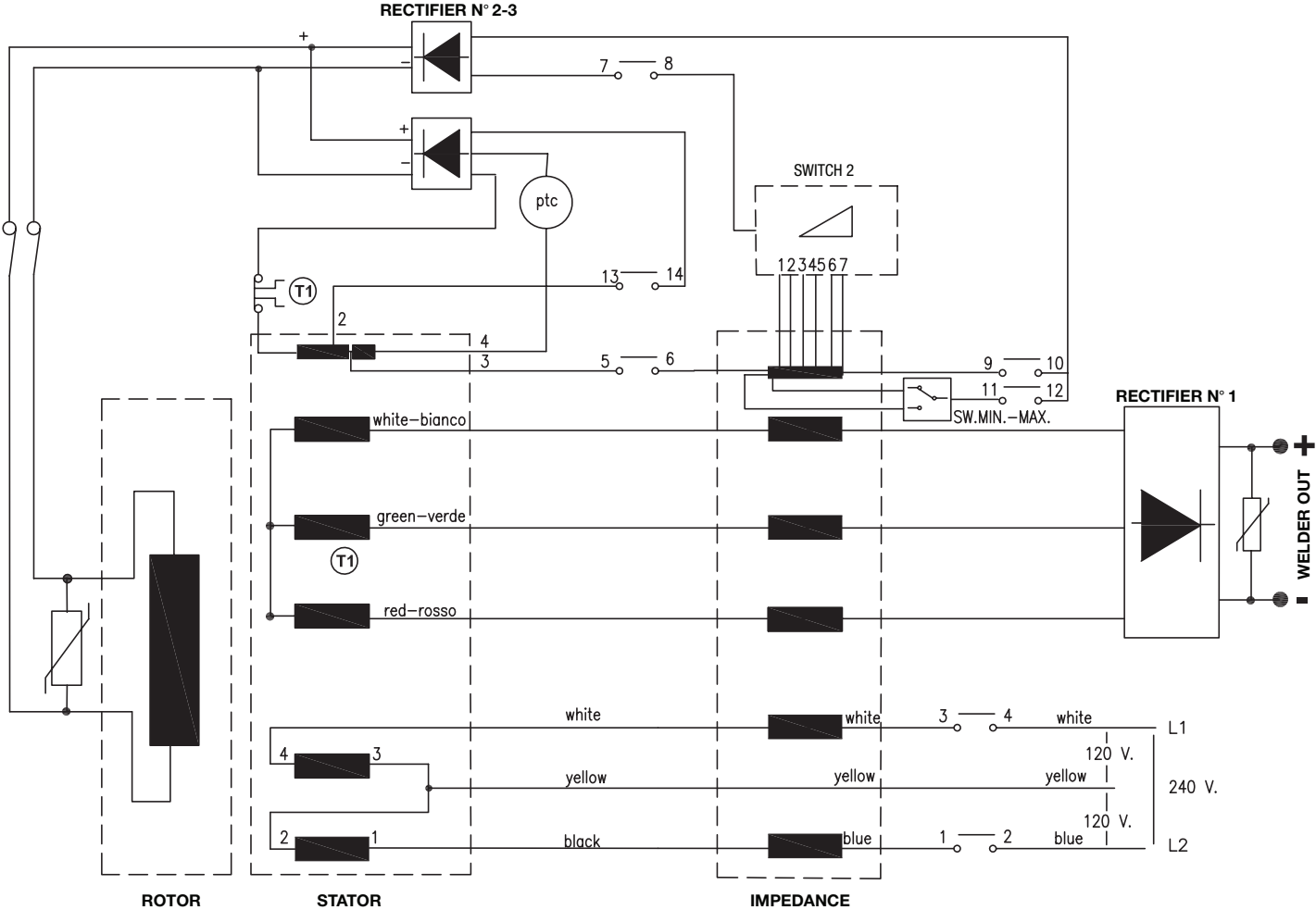
PILOT VALVE (22-0270)			
REF #	DESCRIPTION	PART #	QTY
1	Inlet Port Fitting	N/A	1
2	O-ring (See 70-0241)	N/A Sep.	3
3	Main Body	N/A	1
4	Piston Assembly-Unloader Valve (See 70-0241)	N/A Sep.	1
5	Spring-Unloader Valve (See 70-0241)	N/A Sep.	1
6	Spring Seat-Unloader Valve	N/A	1
7	Cap	N/A	1
8	Discharge Port Fitting	N/A	1
9	Spring Seat Assembly-Check Valve	N/A	1
10	Spring-Check Valve (See 70-0241)	N/A Sep.	1
11	Piston-Check Valve (See 70-0241)	N/A Sep.	1
12	Muffler	23-0419	1
13	Stem Unloader (See 70-0241)	N/A Sep.	1
14	Diaphragm (See 70-0241)	N/A Sep.	1
15	O-ring (See 70-0241)	N/A Sep.	1
16	Screen (See 70-0241)	N/A Sep.	1
17	Screw w/Washer	N/A	4
18	Pilot Body	N/A	1
19	Ball (See 70-0241)	N/A Sep.	1
20	O-ring (See 70-0241)	N/A Sep.	1
21	Differential Adjusting Locknut	N/A	1
22	Differential Adjusting Nut	N/A	1
23	Pressure Adjusting Locknut	N/A	1
24	Pressure Adjusting Toggle Assembly (See 70-0241)	N/A Sep.	1
25	Red Toggle Cover	N/A	1
	Repair Kit (Includes 4-5, 10-11, 13-16, 19-20, 24 and 3 each 2)	70-0241	

WIRING DIAGRAM



WIRING DIAGRAM AGW-SH22-20M 031913 KMD

WIRING SCHEMATIC



WIRING SCHEMATIC AGW-SR14-30M 092211

Manufactured by Mi-T-M
50 MI-T-M Drive, Peosta IA 52068
563-556-7484/ Fax 563-556-1235