

PARTS LIST FOR ***HDS SERIES*** (AFTER SERIAL #15028656 and #15045000)

ENGINE OIL GRADE:		BTU INPUT:	
KOLHER / KUBOTA:	SAE10W30, API CI-4 OR BETTER	HDS-3005, 3006, 3505, 3506, 4005:	471,800
HONDA:	ABOVE 50°F = SAE30	HDS-3008:	513,800
VANGUARD:	ABOVE 40°F = SAE30	PRESSURE NOZZLE SIZE:	
	BELOW 40°F = SAE10W-30	HDS-3008:	9.0
PUMP OIL GRADE:	SAE 20 OR 30 NON-DETERGENT	HDS-3005:	5.5 / 5.0 WET STEAM
PUMP OIL CAPACITY:	SEE INDIVIDUAL MACHINE SPECIFICATIONS	HDS-3006:	6.5 / 6.0 WET STEAM
FUEL NOZZLE:		HDS-3505:	5.0 / 5.0 WET STEAM
HDS-3005, 3006, 3505, 3506, 4005:	2.75 90°B Delavan	HDS-3506:	6.0 / 5.5 WET STEAM
HDS-3008:	3.0 80°B Delavan	HDS-4005-0B7G:	4.5 / 3.5 WET STEAM
		HDS-4005:	5.0 / 3.5 WET STEAM

This Parts Listing has been compiled for your benefit. You can be assured your hot water pressure washer was constructed and designed with quality and performance in mind. Each component has been rigorously tested to insure the highest level of quality.

The contents of this Parts Listing are based on the latest product information available at the time of publication. The manufacturer reserves the right to make changes in price, color, materials, equipment, specifications or models at any time without notice.

WARNING

THIS IS A PROFESSIONAL HIGH PRESSURE, HOT WATER PRESSURE WASHER. CAUTION SHOULD BE OBSERVED WHEN USING OR REPAIRING THIS UNIT! READ AND FOLLOW THE SAFETY WARNINGS LISTED BELOW BEFORE ATTEMPTING ANY REPAIRS ON THIS PRESSURE WASHER!

SAFETY WARNINGS

1. NEVER alter or modify the equipment. Be sure any accessory items and system components being used will withstand the pressure developed. Use only genuine manufacturer parts for repair of your pressure washer. Failure to do so can cause hazardous operating conditions and will VOID warranty.
2. NEVER make adjustments on machinery while the unit is connected to the engine without first removing the ignition cable from the spark plug. Turning over the machinery by hand during adjustment or cleaning might start the engine and machinery with it, causing serious injury to the operator.
3. Know how to stop and bleed pressures quickly. Be thoroughly familiar with controls.
4. Before servicing the unit, turn unit off, relieve the water pressure and allow the unit to cool down. Do not make repairs while the unit is running. Service in a clean, dry, flat area. Block the wheels to prevent the unit from moving. Be especially careful to properly dispose of any flammable materials.
5. After testing the machine, DO NOT leave the pressurized unit unattended. Shut off the unit and release trapped pressure before leaving.

NOTES

SERIAL BREAK NUMBER:

SERIAL BREAK EXPLANATION:

# 15008085	BURNER ASSEMBLY CHANGE - ADDING CORD SET
# 15009856	HDS-3005-0K6A/G ONLY: CHANGED ENGINE FROM 850-0294 TO 850-0332.
# 15011286	HDS-3505-0K6G ONLY: CHANGED ENGINE FROM 850-0292 TO 850-0333.
# 15011577	HDS-3505-0K6A ONLY: CHANGED ENGINE FROM 850-0292 TO 850-0333.
# 15011230	HDS-3505-0H6A/G ONLY: CHANGED ENGINE FROM 850-0300 TO 850-0349.
# 15013196	HDS-3506/4005-0H6A/6G ONLY: CHANGED ENGINE FROM 1-0128 TO 1-0143.
05/4/05	REMOVED DUAL LANCE (16-0390) AND LANCE (16-0306) TO NEW LANCE (16-0417).
#15022139	CHANGED GENERATOR FROM 850-0298 TO 850-0352. HDS-3005-0K6A/0V6A- PUMP CHANGED FROM 3-0211 TO 3-0212.
#15023975	GUN CHANGE: QUICK CONNECT SOCKET FROM 17-0004 TO 17-0007. QUICK CONNECT PLUG FROM 17-0005 TO 17-0006.
#15026788	HDS-3005/3006/3505/3506: THERMOSTAT PLUMBING CHANGE.
6-11-06	ADDED NEW UNITS: HDS-3006/3505/4005-0B7G CHANGED PUMP - NEW MODEL #: HDS-4005-1K6G/A OBSOLETE UNIT: HDS-4005-0K6G/A
#15028656	REPLACED #8-0014 UNLOADER WITH #8-0013 AND #850-0304.
#15045000	CHANGED PRESSURE SEAL ON PUMP 3-0202
#15100089	04-30-15 REPLACED 8-0511 UNLOADER W/ 8-0634

Table of Contents

NOTES	3
SPECIFICATIONS FOR HDS-3005-0K6G/0V6G	6
SPECIFICATIONS FOR HDS-3006/3505-0B7G.....	7
SPECIFICATIONS FOR HDS-3506-0K6A/ 0K6G/ 1H6G	8
SPECIFICATIONS FOR HDS-3505-0K6A/0V6A.....	9
SPECIFICATIONS FOR HDS-3505-0K6G/0V6G/1H6G	10
SPECIFICATIONS FOR HDS-3008-1H6G/3008-0K6G/3008-0B7G	11
SPECIFICATIONS FOR HDS-4005-0K6A/1K6G/2H6G	12
SPECIFICATIONS FOR HDS-4005-0B7G.....	13
FLOW CHART FOR HDS-3005/3006/3008/3505/3506	14
GENERAL THEORY OF OPERATION FOR HDS-3005/3006/3008/3505/3506.....	15
FLOW CHART FOR HDS-4005/3008	16
GENERAL THEORY OF OPERATION FOR HDS-4005/3008V	17
SAFETY DECAL PLACEMENT.....	18
UNIT ASSEMBLY.....	20
FRAME ASSEMBLY (HDS-3005/3505/3008/4005-0B7G)	22
ISOLATION PLATE FOR HDS-3005/3008/3505/3506/4005-1H/0K/0V6G/6A (AFTER SERIAL #15022139) & HDS-4005-2H6G/1K6G	24
ISOLATION PLATE (HDS-3006/3505/3008/4005-0B7G).....	26
ENGINE ASSEMBLY (850-0293 / 850-0384)	28
ENGINE ASSEMBLY (850-0294).....	30
ENGINE ASSEMBLY (850-0295).....	32
ENGINE ASSEMBLY (850-0393 / 850-0394)	34
ENGINE ASSEMBLY (850-0332).....	36
ENGINE ASSEMBLY (850-0333).....	38
ENGINE ASSEMBLY (850-0358).....	40
ENGINE ASSEMBLY (850-0419).....	42
PUMP PLUMBING (HDS-3005/3006/3505/3506) (AFTER SERIAL #15022139)	44
PUMP PLUMBING (HDS-3008/4005).....	45
PUMP ASSEMBLY (3-0301)	46
PUMP ASSEMBLY (3-0202)	48
PUMP ASSEMBLY (3-0212).....	50
PUMP ASSEMBLY (3-0262).....	52
GENERATOR (850-0352)	54
BALL VALVE ASSEMBLY	55
FLOAT TANK ASSEMBLY.....	56
GAS TANK ASSEMBLY (850-0306).....	57
BURNER FUEL TANK (850-0307)	58
DIESEL FUEL TANK.....	59

CONTROL PANEL.....	60
CONTROL PANEL (HDS-3006/3505/3008/4005-0B7G)	62
HEAT EXCHANGER ASSEMBLY FOR HDS-3005/3006/3505/3506 (AFTER SERIAL #15028656).....	64
HEAT EXCHANGER ASSEMBLY FOR HDS-3008	66
HEAT EXCHANGER ASSEMBLY FOR HDS-4005 (AFTER SERIAL #15100089).....	68
BURNER ASSEMBLY (4-0017) (AFTER SERIAL #15008085).....	70
UNLOADER ASSEMBLY (850-0304)	72
UNLOADER ASSEMBLY (850-0252)	74
UNLOADER ASSEMBLY (8-0634)	76
PRESSURE SWITCH (22-0243).....	78
GUN/WAND/HOSE ASSEMBLY (AFTER SERIAL #15023975)	80
DUAL LANCE ASSEMBLY (16-0417)	82
WIRING SCHEMATIC	84
WIRING DIAGRAM	85
HX-0100 STEAM OPTION AND HX-0150 & HX-0151 & HX-0152 & HX-0155 TRAPPING UNLOADER OPTIONS	88
CONTROL PANEL FOR HX-0100 STEAM OPTION.....	90
HEAT EXCHANGER ASSEMBLY FOR HX-0100 STEAM OPTION	92
GUN/WAND/HOSE ASSEMBLY FOR HX-0100 HX-0102 STEAM OPTION (AFTER SERIAL #15023975).....	94
WIRING SCHEMATIC HX-0100 STEAM OPTION	96
WIRING DIAGRAM HX-0100 STEAM OPTION	97
LIFTING HOOK OPTION (HX-0147)	98
HEAT EXCHANGER ASSEMBLY FOR HX-0150 & HX-0151 & HX-0152 & HX-0155 TRAPPING UNLOADER OPTION.....	100
CONTROL PANEL FOR HX-0150 & HX-0151 & HX-0152 & HX-0155 TRAPPING UNLOADER OPTION	102
GUN/WAND/HOSE ASSEMBLY FOR HX-0150 & HX-0151 & HX-0152 & HX-0155 TRAPPING UNLOADER OPTION (AFTER SERIAL #15023975)	104
OPTION / CLUTCH DRIVE HDS-3005 (HX-0227).....	106
OPTION / CLUTCH DRIVE HDS-3505 (HX-0228).....	108
OPTION / CLUTCH DRIVE 9.75" HDS-3005 & HDS-3505 (HX-0261), HDS-3506 (HX-0262), HDS-3008 (HX-0263).....	110
OPTION / CLUTCH DRIVE 9.75" HDS-4005 (HX-0263).....	112
WIRE SCHEMATIC (HX-0227 AND HX-0228).....	114
WIRE DIAGRAM (HX-0227 AND HX-0228)	115
WIRE SCHEMATIC (HX-0261, HX-0262, HX-0263, HX-0264, HX-0265).....	116
WIRE DIAGRAM (HX-0261, HX-0262, HX-0263, HX-0264, HX-0265).....	117

SPECIFICATIONS FOR HDS-4005-0K6A/1K6G/2H6G

HDS-4005 071212			
MODEL NUMBER	HDS-4005-0K6A	HDS-4005-1K6G	HDS-4005-2H6G
Operating Pressure (PSI/Bar):	4000 / 275.8 (+/- 5%)		
Water Volume (GPM/lpm):	5.0 / 18.9 (+/- 5%)		
Outlet Water Temperature (F/C):	130°F / 54°C (+/- 10°F) rise above inlet ambient (210°F / 99°C maximum)		
High Pressure Nozzle	5.0 / 3.5 Wet Steam		
Engine:	Kohler	Kohler	Honda
Model	CH730	CH730	GX630
Engine Type	4 Stroke, Overhead Valve, Twin Cylinder		
Oil Type	SAE10-30W	SAE10-30W	Above 50°F = SAE30
Oil Capacity (oz./liter)	64 / 2.0	64 / 2.0	24 / 1.5
Low Oil Protection	Oil Sentry™	Oil Sentry™	Oil Switch
Fuel Type	Refer to Engine Owner's Manual		
Fuel Capacity (gal./liter)	10 / 37.8		
Starting	12 Volt Electric		
Maximum No Load RPM	3600 (+/- 100)		
High Pressure Pump:	Belt or Direct Driven, Oil Bath, Triplex Piston		
Oil Type	SAE20 or 30 Non-Detergent		
Oil Capacity (oz./liters)	32 / .95	31.0/.92	31.0/.92
Plungers	Ceramic		
Manifold	Forged Brass		
Valves	Stainless Steel		
Unloader	Pressure Trapping - Pre-set at the factory		
Heat Dump Valve	Relieves heated water during unloader bypass stage		
Water System:			
Inlet Water Strainer	Removable Thimble for inspection and cleaning of Stainless Steel Screen		
Float Tank Strainer	Removable Strainer for inspection and cleaning of Stainless Steel Screen		
Float Tank Capacity (gal. / liters)	4.75 / 18.0		
Heat Dump Valve	Protects pump against damaging heat in recirculated and inlet water.		
Detergent System	Adjustable Metering Valve		
Burner Fuel System:			
Fuel Type	No.1 or No.2 Fuel Oil, Diesel or Kerosene		
Fuel Capacity (Gal. / liters)	10 / 37.8		
Fuel Filter/ Water Separator	Spin on (10 micron) filter / E-Z water drain		
Fuel Pump	Two Line, Single Stage		
Fuel Pressure (PSI / BAR)	150 / 10.4		
Fuel Nozzle	2.75 90° B Delavan		
Fuel Consumption (GPH / LPH)	3.37 / 12.75 Cont. Burning		
Burner Electrical System:			
Voltage	115		
Amps	3.0		
Heat Exchanger:	Horizontal, Side Fired, Pancake Coil		
BTU Input	471,800		
Efficiency	75% with #2 Fuel Oil / Diesel		
Smoke Density	0-3 per ASTM D2156		
Safety System:			
Pressure Switch	Shuts off burner fuel supply upon trigger release.		
Fuel Solenoid Valve	115 Volt, controls fuel supply to burner		
Safety Relief	Relieves excess system pressure		
Adjustable Thermostat:	86°F / 30°C - 248°F / 120°C		
Unit Net Weight (Lbs/kg):	826 / 375		
Unit Shipping Weight (Lbs/kg):	930 / 422		
Unit Net Dimension (In/cm):	50.0L x 33.75W x 46.0H / 127.0L x 85.7W x 116.8H		
Unit Shipping Dimension (In/cm):	57.5L x 35.5W x 59.5H / 146.1L x 90.2W x 151.1H		

SPECIFICATIONS FOR HDS-3005-0K6G/0V6G

MODEL NUMBER	HDS-3005-0K6G	HDS-3005-0V6G
Operating Pressure (PSI/Bar):	3000 / 206.8 (+/- 5%)	
Water Volume (GPM/lpm):	4.8 / 18.2 (+/- 5%)	
Outlet Water Temperature (F/C):	130°F / 54°C (+/- 10°F) rise above inlet ambient (210°F / 99°C maximum)	
High Pressure Nozzle	5.5 / 5.0 Wet Steam	
Engine:	Kohler	Briggs and Stratton
Model	CH620	Vanguard 16
Engine Type	4 Stroke, Overhead Valve, Twin Cylinder	
Oil Type	SAE10-30W	Above 40°F = SAE30 / Below 40°F = SAE10W-30
Oil Capacity (oz./liter)	64 / 1.89	56 / 1.66
Low Oil Protection	Oil Sentry™	Oil Guard™
Fuel Type	Refer to Engine Owner's Manual	
Fuel Capacity (gal./liter)	10 / 37.8	
Starting	12 Volt Electric	
Maximum No Load RPM	3600 (+/- 100)	
High Pressure Pump:	Belt or Direct Driven, Oil Bath, Triplex Piston	
Oil Type	SAE20 or 30 Non-Detergent	
Oil Capacity (oz./liters)	41 / 1.2	
Plungers	Ceramic	
Manifold	Forged Brass	
Valves	Stainless Steel	
Unloader	Flow Sensitive - Pre-set at the factory	
Heat Dump Valve	Relieves heated water during unloader bypass stage	
Water System:		
Inlet Water Strainer	Removable Thimble for inspection and cleaning of Stainless Steel Screen	
Float Tank Strainer	Removable Strainer for inspection and cleaning of Stainless Steel Screen	
Float Tank Capacity (gal. / liters)	4.75 / 18.0	
Heat Dump Valve	Protects pump against damaging heat in recirculated and inlet water.	
Detergent System	Adjustable Metering Valve	
Burner Fuel System:		
Fuel Type	No.1 or No.2 Fuel Oil, Diesel or Kerosene	
Fuel Capacity (Gal. / liters)	10 / 37.8	
Fuel Filter/ Water Separator	Spin on (10 micron) filter / E-Z water drain	
Fuel Pump	Two Line, Single Stage	
Fuel Pressure (PSI / BAR)	150 / 10.4	
Fuel Nozzle	2.75 90° B Delavan	
Fuel Consumption (GPH / LPH)	3.37 / 12.75 Cont. Burning	
Burner Electrical System:		
Voltage	115	
Amps	3.0	
Heat Exchanger:	Horizontal, Side Fired, Pancake Coil	
BTU Input	471,800	
Efficiency	75% with #2 Fuel Oil / Diesel	
Smoke Density	0-3 per ASTM D2156	
Safety System:		
Pressure Switch	Shuts off burner fuel supply upon trigger release.	
Fuel Solenoid Valve	115 Volt, controls fuel supply to burner	
Safety Relief	Relieves excess system pressure	
Adjustable Thermostat:	86°F / 30°C - 248°F / 120°C	
Unit Net Weight (Lbs/kg):	812/368	
Unit Shipping Weight (Lbs/kg):	916/415	
Unit Net Dimension (ln/cm):	50.0L x 33.75W x 46.0H / 127L x 85.17 x 136.8	
Unit Shipping Dimension (ln/cm):	57.5L x 35.5W x 59.5H / 146.1L x 90.2W x 151.1H	

SPECIFICATIONS FOR HDS-3006/3505-0B7G

MODEL NUMBER	HDS-3006-0B7G	HDS-3505-0B7G
Operating Pressure (PSI/Bar):	3000 / 206.8 (+/- 5%)	3500 / 241.3 (+/- 5%)
Water Volume (GPM/lpm):	4.7 / 17.7 (+/- 5%)	4.8 / 18.2 (+/- 5%)
Outlet Water Temperature (F/C):	130°F / 54°C (+/- 10°F) rise above inlet ambient (210°F / 99°C maximum)	
High Pressure Nozzle	6.5 / 6.0 Wet Steam	5.0 / 5.0 Wet Steam
Engine:	Kubota	
Model	Z602	
Engine Type	4 Stroke, FI Diesel, Liquid Cooled	
Oil Type	SAE10W-30	
Oil Capacity (oz./liter)	84.5 / 2.5	
Fuel Type	Refer to Engine Owner's Manual	
Fuel Capacity (gal./liter)	10 / 37.8	
Starting	12 Volt Electric	
Maximum No Load RPM	3600 (+/- 100)	
High Pressure Pump:	Belt or Direct Driven, Oil Bath, Triplex Piston	
Oil Type	SAE20 or 30 Non-Detergent	
Oil Capacity (oz./liters)	15 / .45	
Plungers	Ceramic	
Manifold	Forged Brass	
Valves	Stainless Steel	
Unloader	Flow Sensitive - Pre-set at the factory	
Thermal Relief Valve	Relieves heated water during unloader bypass stage	
Water System:		
Inlet Water Strainer	Removable Thimble for inspection and cleaning of Stainless Steel Screen	
Float Tank Strainer	Removable Strainer for inspection and cleaning of Stainless Steel Screen	
Float Tank Capacity (gal. / liters)	4.75 / 18.0	
Heat Dump Valve	Protects pump against damaging heat in recirculated and inlet water.	
Detergent System	Adjustable Metering Valve	
Burner Fuel System:		
Fuel Type	No.1 or No.2 Fuel Oil, Diesel or Kerosene	
Fuel Capacity (Gal. / liters)	10 / 37.8	
Fuel Filter/ Water Separator	Spin on (10 micron) filter / E-Z water drain	
Fuel Pump	Two Line, Single Stage	
Fuel Pressure (PSI / BAR)	150 / 10.4	
Fuel Nozzle	2.75 90° B Delavan	
Fuel Consumption (GPH / LPH)	3.37 / 12.75 Cont. Burning	
Burner Electrical System:		
Voltage	115	
Amps	3.0	
Heat Exchanger:	Horizontal, Side Fired, Pancake Coil	
BTU Input	471,800	
Efficiency	75% with #2 Fuel Oil / Diesel	
Smoke Density	0-3 per ASTM D2156	
Safety System:		
Pressure Switch	Shuts off burner fuel supply upon trigger release.	
Fuel Solenoid Valve	115 Volt, controls fuel supply to burner	
Safety Relief	Relieves excess system pressure	
Adjustable Thermostat:	86°F / 30°C - 248°F / 120°C	
Unit Net Weight (Lbs/kg):	890 / 404	898 / 407
Unit Shipping Weight (Lbs/kg):	994 / 451	1002 / 455
Unit Net Dimension (In/cm):	56.5L x 33.75W x 46.0H / 143.5L x 85.7W x 116.8H	56.5L x 33.75W x 46.0H / 143.5L x 85.7W x 116.8H
Unit Shipping Dimension (In/cm):	57.5L x 35.5W x 59.5H / 146.1L x 90.2W x 151.1H	57.5L x 35.5W x 59.5H / 146.1L x 90.2W x 151.1H

SPECIFICATIONS FOR HDS-3506-0K6A/ 0K6G/ 1H6G

MODEL NUMBER	HDS-3506-0K6A	HDS-3506-0K6G	HDS-3506-1H6G
Operating Pressure (PSI/Bar):	3500 / 241.3 (+/- 5%)		
Water Volume (GPM/lpm):	5.6 / 21.2 (+/- 5%)		
Outlet Water Temperature (F/C):	130°F / 54°C (+/- 10°F) rise above inlet ambient (210°F / 99°C maximum)		
High Pressure Nozzle	6.0 / 5.5 Wet Steam		
Engine:	Kohler	Kohler	Honda
Horsepower	CH730	CH730	GX630
Engine Type	4 Stroke, Overhead Valve, Twin Cylinder		
Oil Type	SAE10-30W	SAE10-30W	Above 50°F = SAE30
Oil Capacity (oz./liter)	64 / 2.0	64 / 2.0	24 / .71
Low Oil Protection	Oil Sentry™	Oil Sentry™	Oil Switch
Fuel Type	Refer to Engine Owner's Manual		
Fuel Capacity (gal./liter)	10 / 37.8		
Starting	12 Volt Electric		
Maximum No Load RPM	3600 (+/- 100)		
High Pressure Pump:	Belt or Direct Driven, Oil Bath, Triplex Piston		
Oil Type	SAE20 or 30 Non-Detergent		
Oil Capacity (oz./liters)	32 / .95		
Plungers	Ceramic		
Manifold	Forged Brass		
Valves	Stainless Steel		
Unloader	Flow Sensitive - Pre-set at the factory		
Heat Dump Valve	Relieves heated water during unloader bypass stage		
Water System:			
Inlet Water Strainer	Removable Thimble for inspection and cleaning of Stainless Steel Screen		
Float Tank Strainer	Removable Strainer for inspection and cleaning of Stainless Steel Screen		
Float Tank Capacity (gal. / liters)	4.75 / 18.0		
Heat Dump Valve	Protects pump against damaging heat in recirculated and inlet water.		
Detergent System	Adjustable Metering Valve		
Burner Fuel System:			
Fuel Type	No.1 or No.2 Fuel Oil, Diesel or Kerosene		
Fuel Capacity (Gal. / liters)	10 / 37.8		
Fuel Filter/ Water Separator	Spin on (10 micron) filter / E-Z water drain		
Fuel Pump	Two Line, Single Stage		
Fuel Pressure (PSI / BAR)	150 / 10.4		
Fuel Nozzle	2.75 90° B Delavan		
Fuel Consumption (GPH / LPH)	3.37 / 12.75 Cont. Burning		
Burner Electrical System:			
Voltage	115		
Amps	3.0		
Heat Exchanger:	Horizontal, Side Fired, Pancake Coil		
BTU Input	471,800		
Efficiency	75% with #2 Fuel Oil / Diesel		
Smoke Density	0-3 per ASTM D2156		
Safety System:			
Pressure Switch	Shuts off burner fuel supply upon trigger release.		
Fuel Solenoid Valve	115 Volt, controls fuel supply to burner		
Safety Relief	Relieves excess system pressure		
Adjustable Thermostat:	86°F / 30°C - 248°F / 120°C		
Unit Net Weight (Lbs/kg):	826 / 375		
Unit Shipping Weight (Lbs/kg):	930 / 422		
Unit Net Dimension (In/cm):	50.0L x 33.75W x 46.0H / 127.0L x 85.7W x 116.8H		
Unit Shipping Dimension (In/cm):	57.5L x 35.5W x 59.5H / 146.1L x 90.2W x 151.1H		

SPECIFICATIONS FOR HDS-3505-0K6A/0V6A

HDS-3505-0K6A/0V6A/0H6A		
MODEL NUMBER	HDS-3505-0K6A	HDS-3505-0V6A
Operating Pressure (PSI/Bar):	3500 / 241.3 (+/- 5%)	
Water Volume (GPM/lpm):	4.7 / 17.7 (+/- 5%)	
Outlet Water Temperature (F/C):	130°F / 54°C (+/- 10°F) rise above inlet ambient (210°F / 99°C maximum)	
High Pressure Nozzle	5.0 / 5.0 Wet Steam	
Engine:	Kohler	Briggs and Stratton
Model	CH640	Vanguard 21
Engine Type	4 Stroke, Overhead Valve, Twin Cylinder	
Oil Type	SAE10-30W	Above 40°F = SAE30 / Below 40°F = SAE10W-30
Oil Capacity (oz./liter)	64 / 2.0	56 / 1.66
Low Oil Protection	Oil Sentry™	Oil Guard™
Fuel Type	Refer to Engine Owner's Manual	
Fuel Capacity (gal./liter)	10 / 37.8	
Starting	12 Volt Electric	
Maximum No Load RPM	3600 (+/- 100)	
High Pressure Pump:	Belt or Direct Driven, Oil Bath, Triplex Piston	
Oil Type	SAE20 or 30 Non-Detergent	
Oil Capacity (oz./liters)	32 / .95	
Plungers	Ceramic	
Manifold	Forged Brass	
Valves	Stainless Steel	
Unloader	Flow Sensitive - Pre-set at the factory	
Heat Dump Valve	Relieves heated water during unloader bypass stage	
Water System:		
Inlet Water Strainer	Removable Thimble for inspection and cleaning of Stainless Steel Screen	
Float Tank Strainer	Removable Strainer for inspection and cleaning of Stainless Steel Screen	
Float Tank Capacity (gal. / liters)	4.75 / 18.0	
Heat Dump Valve	Protects pump against damaging heat in recirculated and inlet water.	
Detergent System	Adjustable Metering Valve	
Burner Fuel System:		
Fuel Type	No.1 or No.2 Fuel Oil, Diesel or Kerosene	
Fuel Capacity (Gal. / liters)	10 / 37.8	
Fuel Filter/ Water Separator	Spin on (10 micron) filter / E-Z water drain	
Fuel Pump	Two Line, Single Stage	
Fuel Pressure (PSI / BAR)	150 / 10.4	
Fuel Nozzle	2.75 90° B Delavan	
Fuel Consumption (GPH / LPH)	3.37 / 12.75 Cont. Burning	
Burner Electrical System:		
Voltage	115	
Amps	3.0	
Heat Exchanger:	Horizontal, Side Fired, Pancake Coil	
BTU Input	471,800	
Efficiency	75% with #2 Fuel Oil / Diesel	
Smoke Density	0-3 per ASTM D2156	
Safety System:		
Pressure Switch	Shuts off burner fuel supply upon trigger release.	
Fuel Solenoid Valve	115 Volt, controls fuel supply to burner	
Safety Relief	Relieves excess system pressure	
Adjustable Thermostat:	86°F / 30°C - 248°F / 120°C	
Unit Net Weight (Lbs/kg):	826 / 375	
Unit Shipping Weight (Lbs/kg):	930 / 422	
Unit Net Dimension (In/cm):	50.0L x 33.75W x 46.0H / 127.0L x 85.7W x 116.8H	
Unit Shipping Dimension (In/cm):	57.5L x 35.5W x 59.5H / 146.1L x 90.2W x 151.1H	

SPECIFICATIONS FOR HDS-3505-0K6G/0V6G/1H6G

HDS-3505-0K6G/0V6G/1H6G			
MODEL NUMBER	HDS-3505-0K6G	HDS-3505-0V6G	HDS-3505-1H6G
Operating Pressure (PSI/Bar):	3500 / 241.3 (+/- 5%)		
Water Volume (GPM/lpm):	4.7 / 17.7 (+/- 5%)		
Outlet Water Temperature (F/C):	130°F / 54°C (+/- 10°F) rise above inlet ambient (210°F / 99°C maximum)		
High Pressure Nozzle	5.0 / 5.0 Wet Steam		
Engine:	Kohler	Briggs and Stratton	Honda
Model	CH640	Vanguard 21	GX630
Engine Type	4 Stroke, Overhead Valve, Twin Cylinder		
Oil Type	SAE10-30W	Above 40°F = SAE30 / Below 40°F = SAE10W-30	Above 50°F = SAE30
Oil Capacity (oz./liter)	64 / 1.89	56 / 1.66	24 / .71
Low Oil Protection	Oil Sentry™	Oil Guard™	Oil Switch
Fuel Type	Refer to Engine Owner's Manual		
Fuel Capacity (gal./liter)	10 / 37.8		
Starting	12 Volt Electric		
Maximum No Load RPM	3600 (+/- 100)		
High Pressure Pump:	Belt or Direct Driven, Oil Bath, Triplex Piston		
Oil Type	SAE20 or 30 Non-Detergent		
Oil Capacity (oz./liters)	41 / 1.2		
Plungers	Ceramic		
Manifold	Forged Brass		
Valves	Stainless Steel		
Unloader	Flow Sensitive - Pre-set at the factory		
Heat Dump Valve	Relieves heated water during unloader bypass stage		
Water System:			
Inlet Water Strainer	Removable Thimble for inspection and cleaning of Stainless Steel Screen		
Float Tank Strainer	Removable Strainer for inspection and cleaning of Stainless Steel Screen		
Float Tank Capacity (gal. / liters)	4.75 / 18.0		
Heat Dump Valve	Protects pump against damaging heat in recirculated and inlet water.		
Detergent System	Adjustable Metering Valve		
Burner Fuel System:			
Fuel Type	No.1 or No.2 Fuel Oil, Diesel or Kerosene		
Fuel Capacity (Gal. / liters)	10 / 37.8		
Fuel Filter/ Water Separator	Spin on (10 micron) filter / E-Z water drain		
Fuel Pump	Two Line, Single Stage		
Fuel Pressure (PSI / BAR)	150 / 10.4		
Fuel Nozzle	2.75 90° B Delavan		
Fuel Consumption (GPH / LPH)	3.37 / 12.75 Cont. Burning		
Burner Electrical System:			
Voltage	115		
Amps	3.0		
Heat Exchanger:	Horizontal, Side Fired, Pancake Coil		
BTU Input	471,800		
Efficiency	75% with #2 Fuel Oil / Diesel		
Smoke Density	0-3 per ASTM D2156		
Safety System:			
Pressure Switch	Shuts off burner fuel supply upon trigger release.		
Fuel Solenoid Valve	115 Volt, controls fuel supply to burner		
Safety Relief	Relieves excess system pressure		
Adjustable Thermostat:	86°F / 30°C - 248°F / 120°C		
Unit Net Weight (Lbs/kg):	826 / 375		
Unit Shipping Weight (Lbs/kg):	930 / 422		
Unit Net Dimension (In/cm):	50.0L x 33.75W x 46.0H / 127.0L x 85.7W x 116.8H		
Unit Shipping Dimension (In/cm):	57.5L x 35.5W x 59.5H / 146.1L x 90.2W x 151.1H		

SPECIFICATIONS FOR HDS-3008-1H6G/3008-0K6G/3008-0B7G

HDS-3008-1H6G/ 0K6G / 0K7G			
MODEL NUMBER	HDS-3008-16HG	HDS-3008-0K6G	HDS-3008-0B7G
Operating Pressure (PSI/Bar):	3000 / 206.8 (+/- 5%)		
Water Volume (GPM/lpm):	7.8 /29.5 (+/- 5%)		
Outlet Water Temperature (F/C):	130°F / 54°C (+/- 10°F) rise above inlet ambient (210°F / 99°C maximum)		
High Pressure Nozzle	9.0		
Engine:	Honda	Kohler	Kubota
Model	GX690	CH730	D902
Engine Type	4 Stroke, Overhead Valve, Twin Cylinder		4 Stroke, FL Diesel, Liquid Cooled
Oil Type	ABOVE 50°F = SAE 30		SAW10W40, API C1-4 or better
Oil Capacity (oz./liter)	24/71		125.4/3.7
Fuel Type	Refer to Engine Owner's Manual		
Fuel Capacity (gal./liter)	10 / 37.8		
Starting	12 Volt Electric		
Maximum No Load RPM	3600 (+/- 100)		
High Pressure Pump:	Belt Driven, Oil Bath, Triplex Piston		
Oil Type	SAE20 or 30 Non-Detergent		
Oil Capacity (oz./liters)	31/.92		
Plungers	Ceramic		
Manifold	Forged Brass		
Valves	Stainless Steel		
Unloader	Flow Sensitive - pressure trapping		
Heat Dump Valve	Relieves heated water during unloader bypass stage		
Water System:			
Inlet Water Strainer	Removable Thimble for inspection and cleaning of Stainless Steel Screen		
Float Tank Strainer	Removable Strainer for inspection and cleaning of Stainless Steel Screen		
Float Tank Capacity (gal. / liters)	4.75 / 18.0		
Heat Dump Valve	Protects pump against damaging heat in recirculated and inlet water.		
Burner Fuel System:			
Fuel Type	No.1 or No.2 Fuel Oil, Diesel or Kerosene		
Fuel Capacity (Gal. / liters)	10 / 37.8		
Fuel Filter/ Water Separator	Spin on (10 micron) filter / E-Z water drain		
Fuel Pump	Two Line, Single Stage		
Fuel Pressure (PSI / BAR)	150 / 10.4		
Fuel Nozzle	3.00 80° B Delavan		
Fuel Consumption (GPH / LPH)	3.67 / 13.9 Cont. Burning		
Burner Electrical System:			
Voltage	115		
Amps	3.0		
Heat Exchanger:	Horizontal, Side Fired, Pancake Coil		
BTU Input	513,800		
Efficiency	75% with #2 Fuel Oil / Diesel		
Smoke Density	0-3 per ASTM D2156		
Safety System:			
Pressure Switch	Shuts off burner fuel supply upon trigger release.		
Fuel Solenoid Valve	115 Volt, controls fuel supply to burner		
Safety Relief	Relieves excess system pressure		
Adjustable Thermostat:	86°F / 30°C - 248°F / 120°C		
Unit Net Weight (Lbs/kg):	826/375		933/424
Unit Shipping Weight (Lbs/kg):	930/422		1037/471
Unit Net Dimension (In/cm):	50L x 33.75W x 46.0H / 127L x 85.7W x 116.8H		59.5L x 33.75W x 46H / 151.2L x 85.7W x 116.8H
Unit Shipping Dimension (In/cm):	57.5L x 35.5W x 59.5H / 146.1L x 90.2W x 151.1H		59.5L x 35.5W x 51.5H / 151.2L x 90.2W x 130.8H

SPECIFICATIONS FOR HDS-4005-0B7G

MODEL NUMBER	HDS-4005-0B7G
Operating Pressure (PSI/Bar):	4000 / 275.8 (+/- 5%)
Water Volume (GPM/lpm):	4.5/17.0 (+/- 5%)
Outlet Water Temperature (F/C):	130°F / 54°C (+/- 10°F) rise above inlet ambient (210°F / 99°C maximum)
High Pressure Nozzle	4.5/3.5 Wet Steam
Engine:	Kubota
Horsepower	15.5
Engine Type	4 Stroke, FI Diesel, Liquid Cooled
Oil Type	SAE10W-30
Oil Capacity (oz./liter)	84.5 / 2.5
Fuel Type	Refer to Engine Owner's Manual
Fuel Capacity (gal./liter)	10 / 37.8
Starting	12 Volt Electric
Maximum No Load RPM	3600 (+/- 100)
High Pressure Pump:	Belt or Direct Driven, Oil Bath, Triplex Piston
Oil Type	SAE10W30, API CI-4 or better
Oil Capacity (oz./liters)	31.0 / .92
Plungers	Ceramic
Manifold	Forged Brass
Valves	Stainless Steel
Unloader	Flow Sensitive - Pre-set at the factory
Thermal Relief Valve	Relieves heated water during unloader bypass stage
Water System:	
Inlet Water Strainer	Removable Thimble for inspection and cleaning of Stainless Steel Screen
Float Tank Strainer	Removable Strainer for inspection and cleaning of Stainless Steel Screen
Float Tank Capacity (gal. / liters)	4.75 / 18.0
Heat Dump Valve	Protects pump against damaging heat in recirculated and inlet water.
Detergent System	Adjustable Metering Valve
Burner Fuel System:	
Fuel Type	No.1 or No.2 Fuel Oil, Diesel or Kerosene
Fuel Capacity (Gal. / liters)	10 / 37.8
Fuel Filter/ Water Separator	Spin on (10 micron) filter / E-Z water drain
Fuel Pump	Two Line, Single Stage
Fuel Pressure (PSI / BAR)	150 / 10.4
Fuel Nozzle	2.75 90° B Delavan
Fuel Consumption (GPH / LPH)	3.37 / 12.75 Cont. Burning
Burner Electrical System:	
Voltage	115
Amps	3.0
Heat Exchanger:	Horizontal, Side Fired, Pancake Coil
BTU Input	471,800
Efficiency	75% with #2 Fuel Oil / Diesel
Smoke Density	0-3 per ASTM D2156
Safety System:	
Pressure Switch	Shuts off burner fuel supply upon trigger release.
Fuel Solenoid Valve	115 Volt, controls fuel supply to burner
Safety Relief	Relieves excess system pressure
Adjustable Thermostat:	86°F / 30°C - 248°F / 120°C
Unit Net Weight (Lbs/kg):	898 / 407
Unit Shipping Weight (Lbs/kg):	1002 / 455
Unit Net Dimension (In/cm):	56.5L x 33.75W x 46.0H / 143.5L x 85.7W x 116.8H
Unit Shipping Dimension (In/cm):	57.5L x 35.5W x 59.5H / 146.1L x 90.2W x 151.1H

GENERAL THEORY OF OPERATION FOR HDS-3005/3006/3505/3506

WATER FLOW: Connect a pressurized water source to the INLET GARDEN HOSE CONNECTION (1) and turn on the water supply. The water will flow through a INLET WATER STRAINER (2) and then through a FLOAT VALVE (3) into a WATER FLOAT TANK (5). If the water rises above the OVERFLOW HOLES (4), the excess water will drain out the unit.

The water is then drawn through the WATER STRAINER (6) and into the TRIPLEX HIGH PRESSURE PUMP (7) which has an UNLOADER (8) that bypasses the water when the trigger gun is closed. To protect the pump from heated water during this bypass stage, a HEAT DUMP VALVE (9) will open at 140°F/60°C allowing the heated water to escape. The Heat Dump Valve automatically resets when the water cools. The BURNER CONTROL PRESSURE SWITCH (10) controls the fuel supply to the burner. Following is the STEAM ADJUSTMENT VALVE (11) which controls the water flow in the wet steam mode.

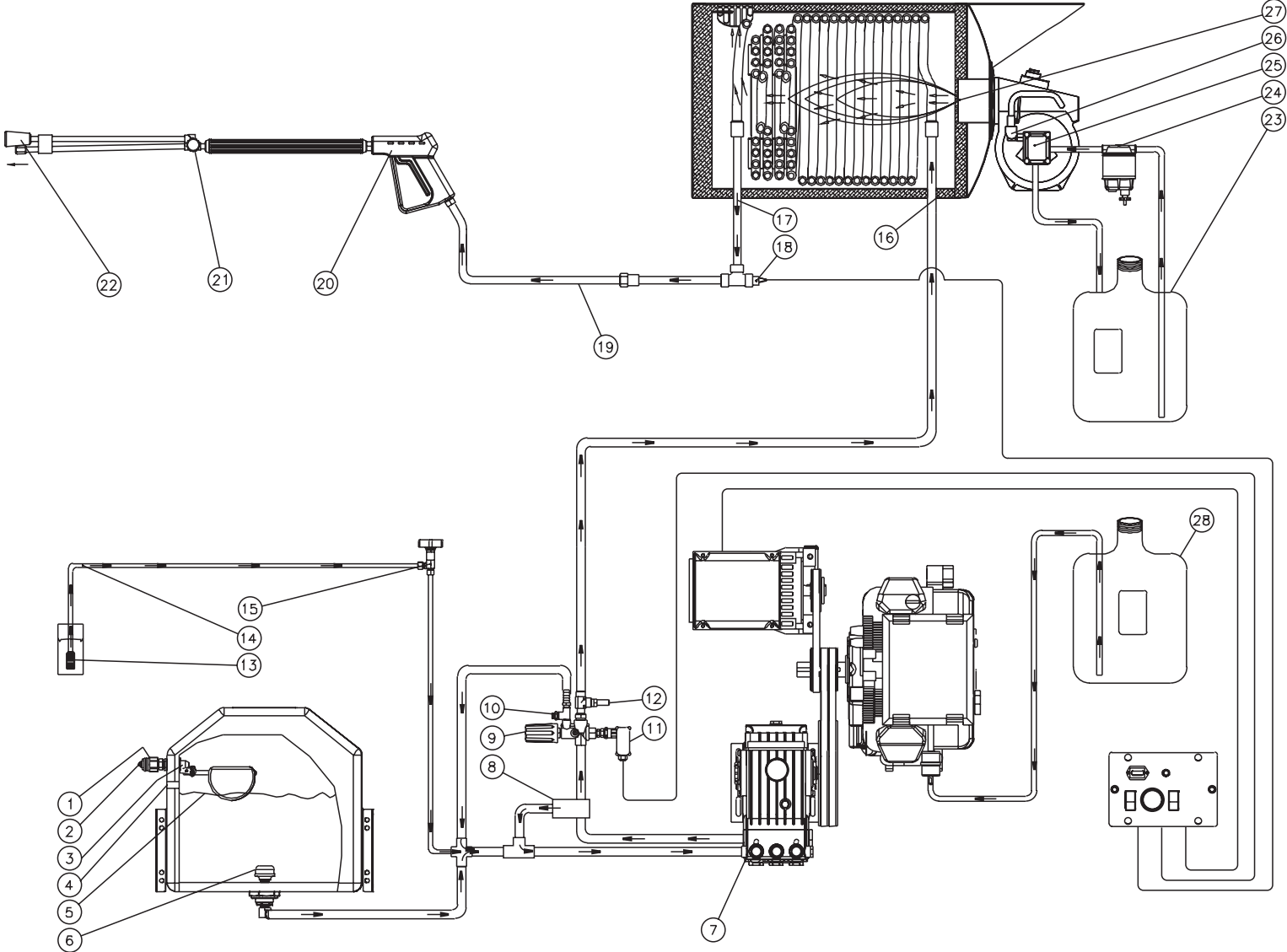
When using detergents, the solution passes through the DETERGENT STRAINER (12) located on the DETERGENT HOSE (13). The detergent solution then travels through the DETERGENT METERING VALVE (14).

From there, the water flows through HEAT EXCHANGER INLET (15) where it is heated when the burner is on. As the water exits the HEAT EXCHANGER OUTLET (16), it enters a safety system which protects the operator from danger. The system also contains a ADJUSTABLE THERMOSTAT (17) which controls the working temperature of the unit, allowing the operator to set the unit to the desired water temperature setting. If the unloader fails to bypass water or the burner remains on when the trigger gun is closed, the SAFETY RELIEF (18) will relieve and allow water to exit safely.

The heated water then flows through the HIGH PRESSURE HOSE (19) and to the TRIGGER GUN ASSEMBLY (20) which allows the operator to control the water spray. When the trigger gun is open, the water flows through the ADJUSTABLE PRESSURE DUAL LANCE (21) and exits the NOZZLE (22).

FUEL FLOW: The Fuel Pump draws fuel from the FUEL TANK (23) through a replaceable FUEL FILTER/WATER SEPARATOR (24) and into the FUEL PUMP (25). Fuel exits the fuel pump, into a FUEL SOLENOID VALVE (26) which controls fuel flow to the FUEL NOZZLE (27) where it ignites and burns in the heat exchanger. The engine is operated by fuel drawn from the GAS TANK (28).

FLOW CHART FOR HDS-4005/3008



HDS-4005 FLOW DIA.-033005-RZ

GENERAL THEORY OF OPERATION FOR HDS-4005/3008

WATER FLOW: Connect a pressurized water source to the INLET GARDEN HOSE CONNECTION (1) and turn on the water supply. The water will flow through a INLET WATER STRAINER (2) and then through a FLOAT VALVE (3) into a WATER FLOAT TANK (5). If the water rises above the OVERFLOW HOLES (4), the excess water will drain out the unit.

The water is then drawn through the WATER STRAINER (6) and into the TRIPLEX HIGH PRESSURE PUMP (7) which has an UNLOADER (9) that bypasses the water when the trigger gun is closed. To protect the pump from heated water during this bypass stage, a HEAT DUMP VALVE (10) will open at 140°F/60°C allowing the heated water to escape. The Heat Dump Valve automatically resets when the water cools. The EASY START VALVE (8) will allow the engine to start without a load. The water recirculates until pressure builds up and forces the seat closed. The BURNER CONTROL PRESSURE SWITCH (11) controls the fuel supply to the burner.

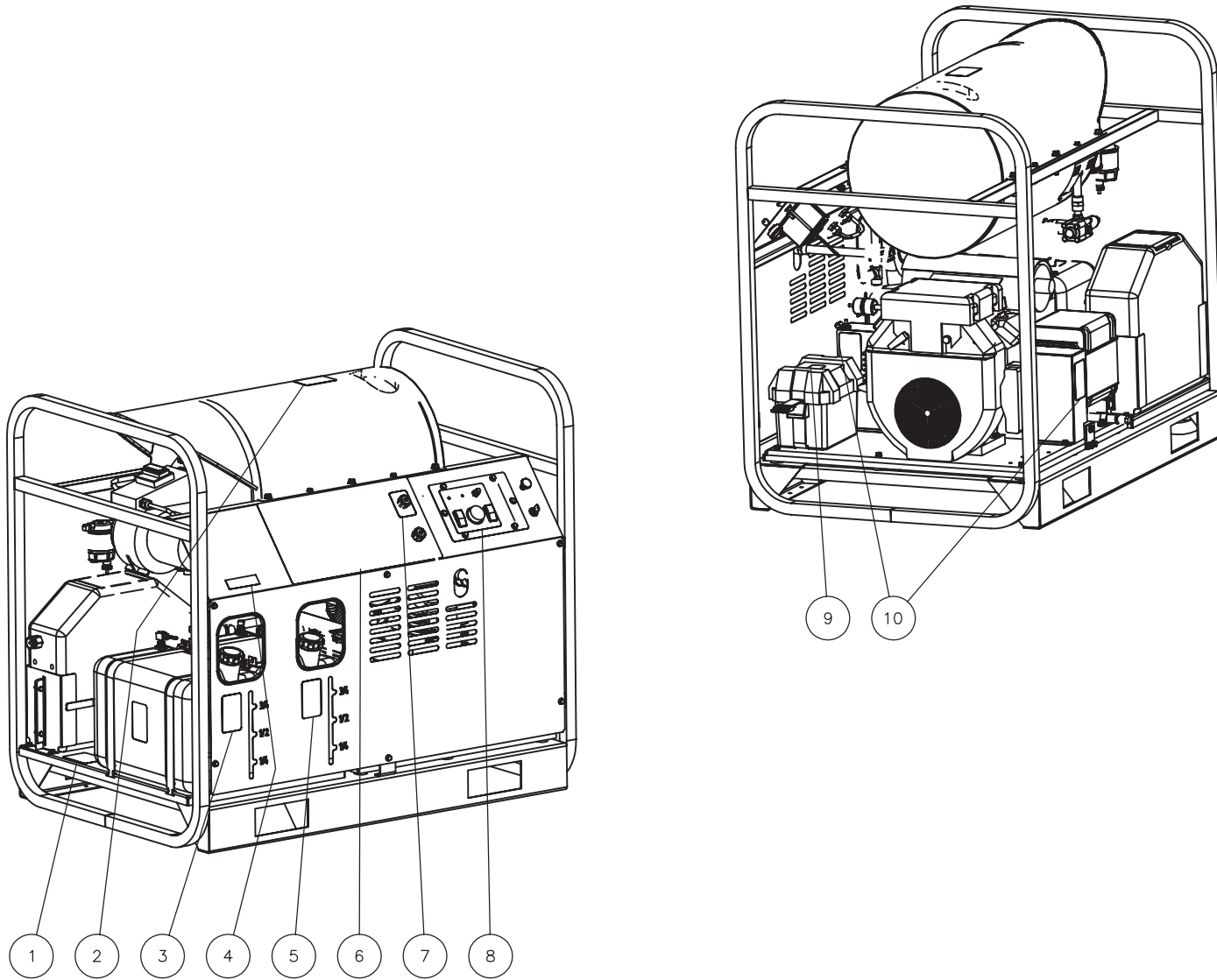
When using detergents, the solution passes through the DETERGENT STRAINER (13) located on the DETERGENT HOSE (14). The detergent solution then travels through the DETERGENT METERING VALVE (15).

From there, the water flows through HEAT EXCHANGER INLET (16) where it is heated when the burner is on. As the water exits the HEAT EXCHANGER OUTLET (17), it enters a safety system which protects the operator from danger. The system also contains a ADJUSTABLE THERMOSTAT (18) which controls the working temperature of the unit, allowing the operator to set the unit to the desired water temperature setting. If the unloader fails to bypass water or the burner remains on when the trigger gun is closed, the SAFETY RELIEF (12) will relieve and allow water to exit safely.

The heated water then flows through the HIGH PRESSURE HOSE (19) and to the TRIGGER GUN ASSEMBLY (20) which allows the operator to control the water spray. When the trigger gun is open, the water flows through the ADJUSTABLE PRESSURE DUAL LANCE (21) and exits the NOZZLE (22).

FUEL FLOW: The Fuel Pump draws fuel from the FUEL TANK (23) through a replaceable FUEL FILTER/WATER SEPARATOR (24) and into the FUEL PUMP (25). Fuel exits the fuel pump, into a FUEL SOLENOID VALVE (26) which controls fuel flow to the FUEL NOZZLE (27) where it ignites and burns in the heat exchanger. The engine is operated by fuel drawn from the GAS TANK (28).

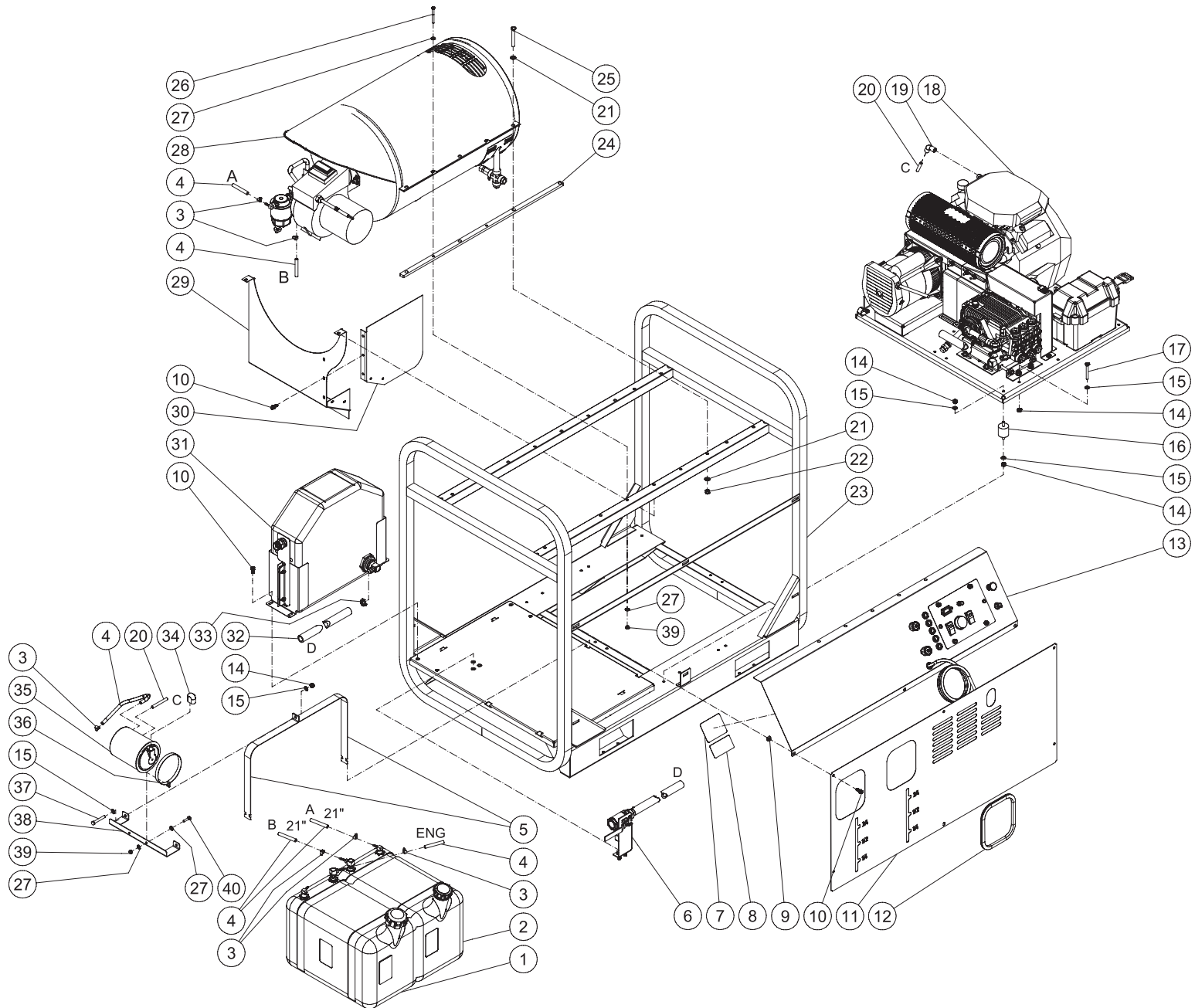
SAFETY DECAL PLACEMENT



HDS-DECAL PLACEMENT-021413-CH

HDS DECAL PLACEMENT-021413-CH			
SAFETY DECAL PLACEMENT			
REF. #	DESCRIPTION	PART #	QTY.
1	Decal: Data Plate	N/A	1
2	Decal- Warning: Hot Surfaces (See 71-0034)	N/A Sep.	1
3	Decal- Caution: Risk of Fire- Do Not Use Diesel or Fuel Oil (See 71-0034)	N/A Sep.	2
4	Decal- Die Cut- 3000 (HDS-3005_3006_3008)	34-2899	1
-	Decal- Die Cut- 3500 (HDS-3505_3506)	34-2900	1
-	Decal- Die Cut- 4000 (HDS-4005)	34-2902	1
5	Decal- Caution: Risk of Fire- Do Not Use Gasoline (See 71-0034)	N/A Sep.	2
6	Decal- Warning/Caution/Operation (See 71-0034)	N/A Sep.	1
7	Decal- Steam Valve (See 71-0034)	N/A Sep.	1
8	Decal- Electric Panel (See 71-0034)	N/A Sep.	1
9	Decal- Caution: Disconnect Battery (See 71-0034)	N/A Sep.	1
10	Decal- Warning: Risk of Injury (See 71-0034)	N/A Sep.	2
	Safety Decal Kit (Includes 2, 3, 5-10)	71-0034	

UNIT ASSEMBLY



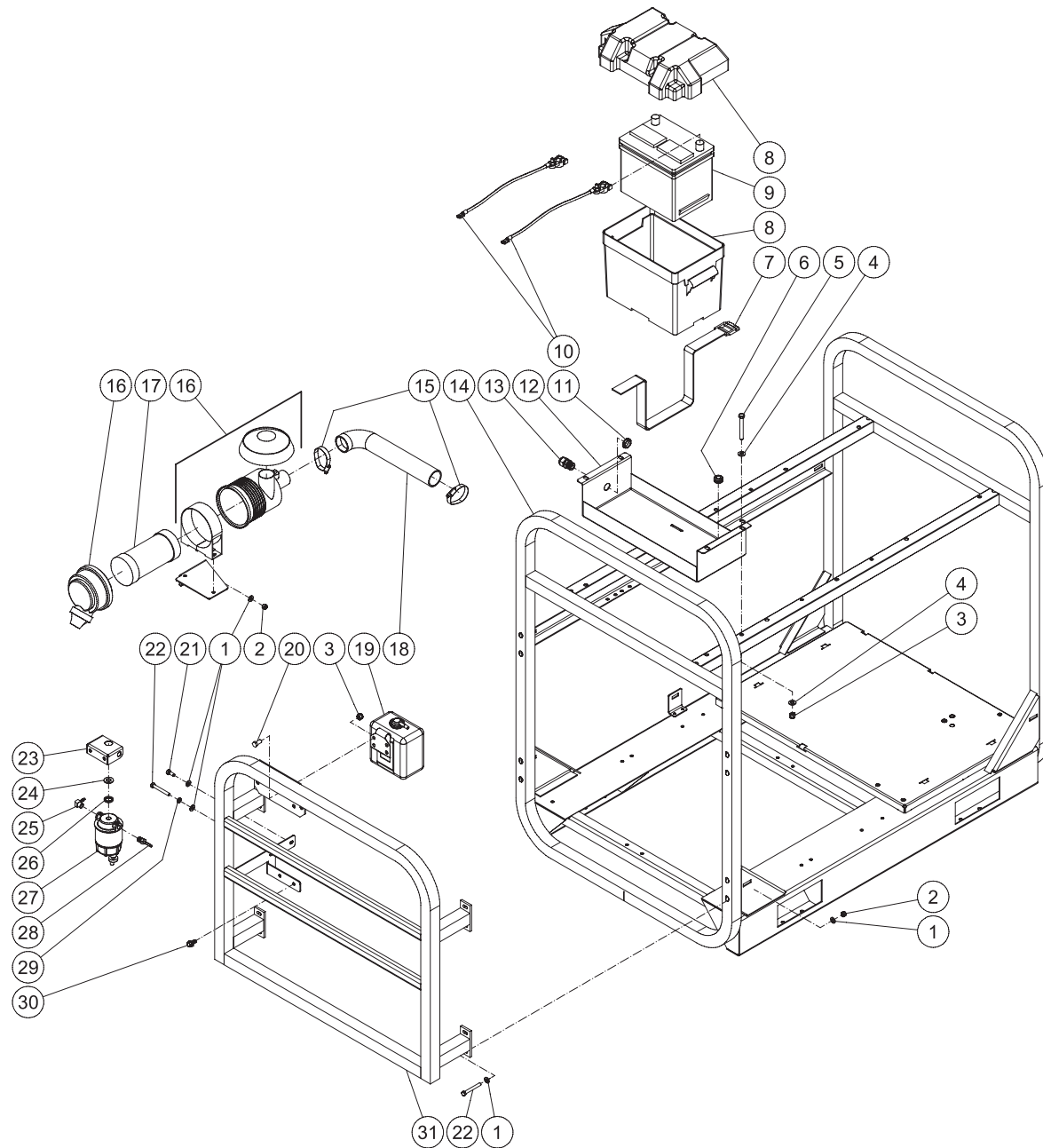
HDS UNIT ASSY 021017 CH

UNIT ASSEMBLY

ITEM	DESCRIPTION	PART #	QTY	ITEM	DESCRIPTION	PART #	QTY
1	GAS TANK ASSEMBLY (GASOLINE MODELS)	N/A	1	21	WASHER	28-0004	12
-	DIESEL FUEL TANK ASSEMBLY (DIESEL MODELS)	N/A	1	22	LOCKNUT	30-0159	6
2	BURNER FUEL TANK ASSEMBLY	N/A	1	23	FRAME (GASOLINE MODELS)	5-0275A18	1
3	CLAMP WORM (GASOLINE MODELS)	42-0004	7	-	FRAME ASSEMBLY (DIESEL MODELS)	N/A	1
-	CLAMP WORM (DIESEL MODELS)	42-0004	8	24	SHIM (3008 DIESEL MODELS)	20-0939A18	2
4	FUEL HOSE *(ELEVEN FEET REQUIRED)	15-0008	1	25	BOLT	27-0576	6
5	TANK STRAP	20-0585A18	4	26	BOLT	27-0022	4
6	BALL VALVE ASSEMBLY	N/A	1	27	WASHER (GASOLINE MODELS)	28-0002	12
7	DECAL - DATA PLATE	N/A	1	-	WASHER (DIESEL MODELS)	28-0002	8
8	DECAL- SILVER STICKER	N/A	1	28	HEAT EXCHANGER ASSEMBLY (3005, 3006, 3505, 3506)	N/A	1
9	CLIP NUT	30-6027	6	-	HEAT EXCHANGER ASSEMBLY (4005)	N/A	1
10	BOLT (3008 GASOLINE MODELS)	27-1200	15	-	HEAT EXCHANGER ASSEMBLY (3008)	N/A	1
-	BOLT	27-1200	10	29	HEAT SHIELD (3008 GASOLINE MODELS)	20-1098A18	1
11	FRONT COVER PANEL	21-0146	1	30	HEAT SHIELD SIDE (3008 GASOLINE MODELS)	20-1099A18	1
12	EDGING *(FIVE FEET REQUIRED)	33-0020	1	31	FLOAT TANK ASSEMBLY	N/A	1
13	CONTROL PANEL ASSEMBLY (GASOLINE MODELS)	N/A	1	32	HOSE *(FOUR FEET REQUIRED)	15-0033	1
-	CONTROL PANEL ASSEMBLY (DIESEL MODELS)	N/A	1	33	HOSE CLAMP	42-0003	1
14	LOCKNUT	30-0157	20	34	BREATHER VENT COVER (GASOLINE MODELS)	62-0218	1
15	WASHER	28-0003	22	35	CARB CANISTER (GASOLINE MODELS)	62-0212	1
16	ISOLATOR	14-0110	8	36	CARB CANISTER STRAP (GASOLINE MODELS)	20-1187A01	2
17	BOLT	27-0073	2	37	BOLT (GASOLINE MODELS)	27-0072	2
18	ISOLATION PLATE ASSEMBLY (GASOLINE MODELS)	N/A	1	38	CARB CANISTER MOUNT (GASOLINE MODELS)	20-1197A18	1
-	ISOLATION PLATE ASSEMBLY (DIESEL MODELS)	N/A	1	39	LOCKNUT (GASOLINE MODELS)	30-0155	6
19	AIR CLEANER ADAPTER (HONDA MODELS)	62-0229	1	-	LOCKNUT (DIESEL MODELS)	30-0155	4
20	FUEL HOSE *(SEVEN FEET REQUIRED) (GASOLINE MODELS)	15-0261	1	40	BOLT (GASOLINE MODELS)	27-0016	2

*MUST ORDER IN ONE FOOT LENGTHS

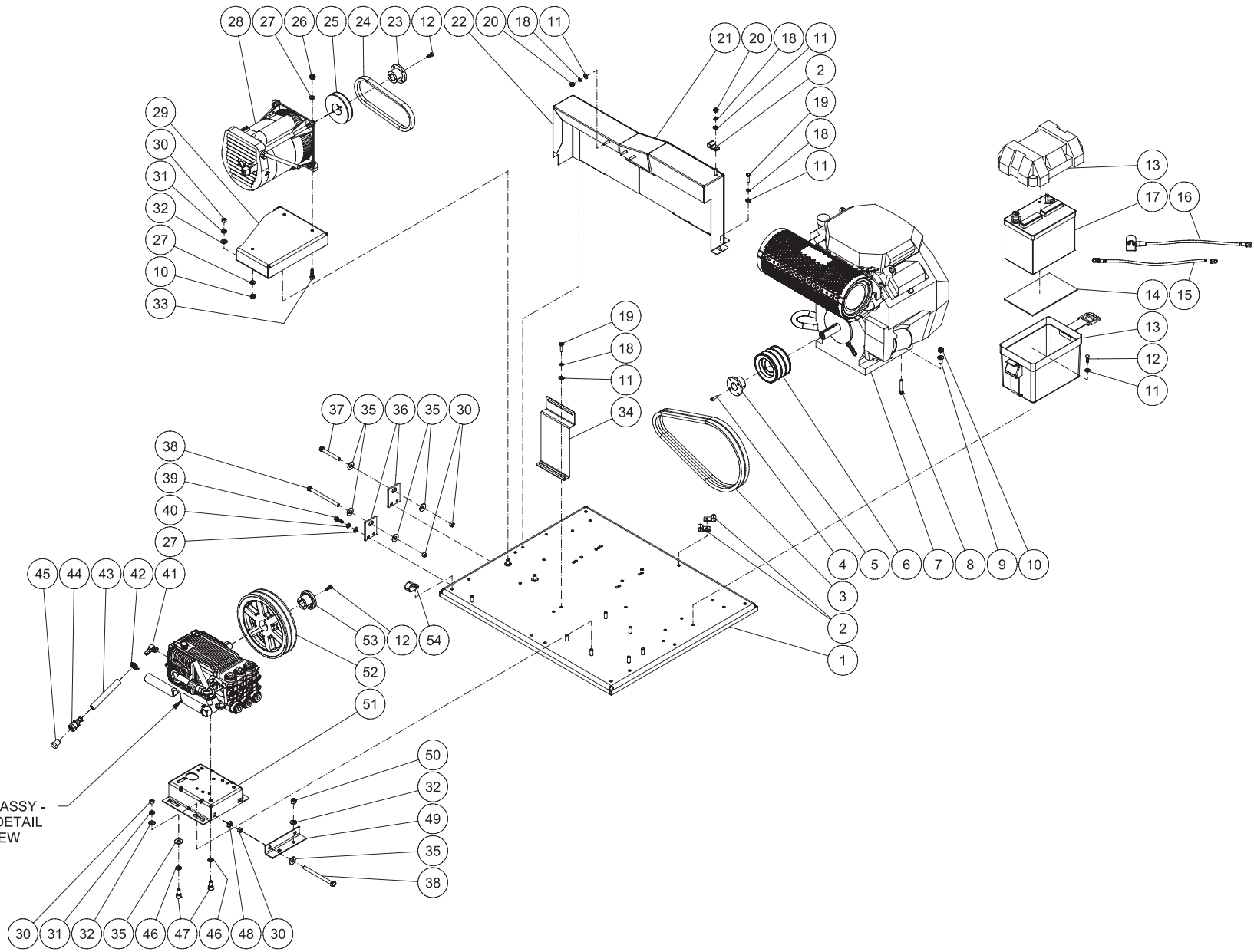
FRAME ASSEMBLY (HDS-3005/3505/3008/4005-0B7G)



KUBOTA SKID FRAME ASSEMBLY 021317 CH

KUBOTA SKID FRAME ASSEMBLY 021317 CH			
KUBOTA SKID FRAME ASSEMBLY			
ITEM	DESCRIPTION	PART #	QTY
1	WASHER	28-0003	20
2	LOCKNUT	30-0157	10
3	LOCKNUT (3006/3505/4005)	30-0159	6
-	LOCKNUT (3008)	30-0159	2
4	WASHER (3006/3505/4005)	28-0004	8
5	BOLT (3006/3505/4005)	27-0576	4
6	GROMMET (3006/3505/4005)	33-0001	2
7	STRAP (3006/3505/4005)	33-0089	1
8	BATTERY BOX (3006/3505/4005)	33-0093	1
9	BATTERY (HS MODELS)	32-0059	1
10	BATTERY CABLE (W/ ENGINE)	N/A	2
11	ELECTRICAL LOCKNUT (3006/3505/4005)	32-0108	1
12	BATTERY BOX (3006/3505/4005)	20-0872A18	1
13	STRAIN RELIEF (3006/3505/4005)	32-0437	1
14	FRAME	5-0313A18	1
15	HOSE CLAMP	42-0027	2
16	AIR CLEANER HOUSING	N/A	1
17	AIR FILTER	45-0122	1
18	HOSE	15-0262	1
19	RADIATOR OVER FLOW W/ ENGINE	45-0121	1
20	BOLT	27-0116	2
21	BOLT	27-0066	1
22	BOLT	27-0073	9
23	FUEL FILTER BRACKET	20-0873A18	1
24	WASHER	28-0006	1
25	ELBOW	23-0054	1
26	GARDEN HOSE GASKET	26-0001	1
27	FUEL FILTER / WATER SEPERATOR	19-0070	1
28	BARB	23-0051	1
29	LOCKWASHER	29-0007	1
30	BOLT	27-1202	2
31	FRAME EXTENSION (3006/3505/4005)	5-0276A18	1
-	FRAME EXTENSION (3008)	5-0311A18	1

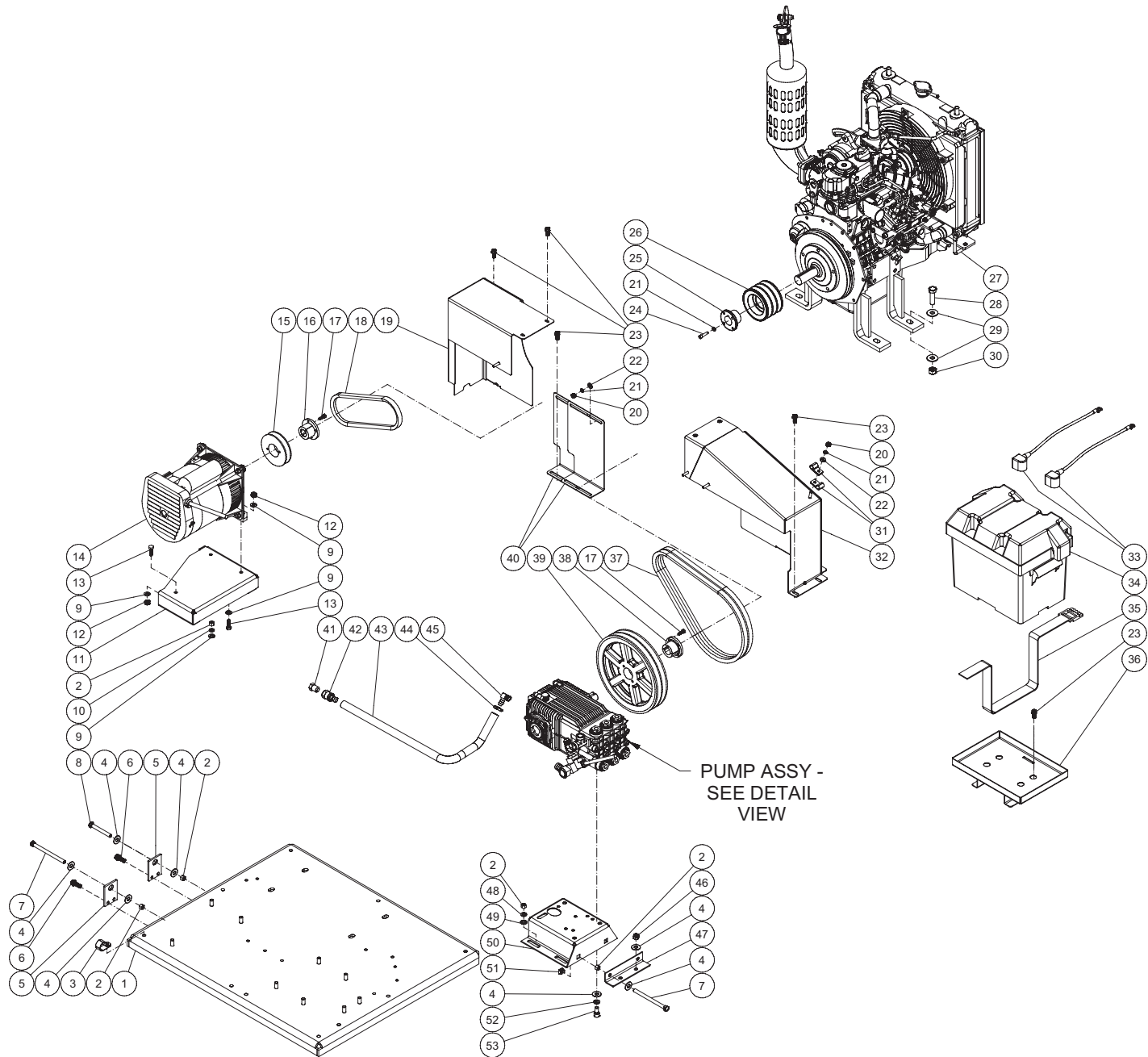
ISOLATION PLATE FOR HDS-3005/3008/3505/3506/4005-1H/0K/0V6G/6A (AFTER SERIAL #15022139) & HDS-4005-2H6G/1K6G



HDS ISOLATION PLATE 070512-CH

ISOLATION PLATE							
ITEM	DESCRIPTION	PART #	QTY	ITEM	DESCRIPTION	PART #	QTY
1	ISOLATION PLATE	05-0170A18	1	24	ALTERNATOR BELT (HDS-3005, 3505, 3506, 4005)	11-0048	1
2	CLIP	43-0003	3	-	ALTERNATOR BELT (HDS-3008)	11-0074	1
3	BELT (HDS-3005, 3008, 3505, 4005)	11-0052	2	25	SHEAVE (HDS-3005, 3505, 3506, 4005)	10-0028	1
-	BELT (HDS-3506)	11-0050	2	-	SHEAVE (HDS-3008)	10-0039	1
4	BOLT	27-0771	2	26	LOCKNUT	30-0157	3
5	BUSHING (HDS-3005-0K6G, HDS-3008-1H6G)	9-0010	1	27	WASHER	28-0003	7
-	BUSHING (HDS-3008-0K6G, HDS-3505-0K6A_G, HDS-3506-0K6A_G, HDS-4005-0K6A_1K6G)	9-0007	1	28	ALTERNATOR	850-0352	1
-	BUSHING (HDS-3005-0V6G, HDS-3505-1H6G_0V6A_0V6G, HDS-3506-1H6G, HDS-4005-2H6G)	9-0005	1	29	ALTERNATOR HAT	20-0583A18	1
6	SHEAVE (HDS-3005, 3505, 3506, 4005)	10-0061	1	30	NUT	30-0006	11
-	SHEAVE (HDS-3008)	10-0011	1	31	LOCKWASHER	29-0008	7
7	ENGINE ASSEMBLY (HDS-3005-0K6G)	850-0332	1	32	WASHER	28-0004	9
-	ENGINE ASSEMBLY (HDS-3005-0V6G)	850-0294	1	33	BOLT	27-0068	3
-	ENGINE ASSEMBLY (HDS-3008-1H6G)	850-0394	1	34	BELTGUARD COVER	20-0589A18	2
-	ENGINE ASSEMBLY (HDS-3008-0K6G, HDS-3506-0K6A_G, HDS-4005-0K6A, HDS-4005-1K6G)	850-0293	1	35	WASHER	28-0023	7
-	ENGINE ASSEMBLY (HDS-3505-1H6G, HDS-3506-1H6G, HDS-4005-2H6G)	850-0393	1	36	TENSION BRACKET	20-0587A18	2
-	ENGINE ASSEMBLY (HDS-3505-0K6A_G)	850-0333	1	37	BOLT	27-0576	1
-	ENGINE ASSEMBLY (HDS-3505-0V6A_G)	850-0295	1	38	BOLT	27-0133	3
8	BOLT (HONDA/ VANGUARD ENGINES)	27-0070	4	39	BOLT	27-0067	4
-	BOLT (KOHLER ENGINE)	27-0120	4	40	LOCKWASHER	29-0007	4
9	ENGINE SHIM (HONDA ENGINE)	33-0169	4	41	ELBOW	23-0119	1
-	WASHER (VANGUARD ENGINE)	28-0003	4	42	HOSE CLAMP	42-0011	1
-	WASHER (KOHLER ENGINE)	28-0004	4	43	HOSE (TWO FEET REQUIRED)	15-0007	1
10	LOCKNUT (HONDA & VANGUARD UNITS)	30-0157	4	44	HOSE BARB	23-0360	1
-	LOCKNUT (KOHLER UNITS)	30-0159	4	45	PLUG	23-0411	1
11	WASHER	28-0002	14	46	LOCKWASHER (A/R MODELS)	29-0055	4
12	BOLT	27-0015	8	-	LOCKWASHER (GENERAL MODELS)	29-0054	4
13	BATTERY BOX	33-0092	1	47	BOLT (A/R MODELS)	27-8471	4
14	RUBBER PAD	33-0509	1	-	BOLT (GENERAL MODELS)	27-8884	4
15	CABLE	32-9113	1	48	CLIP NUT	30-6025	2
16	CABLE	32-9114	1	49	TENSION BRACKET	20-0584A18	1
17	BATTERY	N/A	1	50	LOCKNUT	30-0159	2
18	LOCKWASHER	29-0006	10	51	PUMP HAT	05-0153A18	1
19	BOLT	27-0016	6	52	PUMP SHEAVE (HDS-3005, 3008, 3505, 4005)	10-0037	1
20	NUT	30-0002	4	-	PUMP SHEAVE (HDS-3506)	10-0012	1
21	PUMP BELTGUARD	06-0092A18	1	53	BUSHING	9-0017	1
22	GENERATOR BELTGUARD	06-0091A18	1	54	CLIP	33-0291	1
23	BUSHING	9-0033	1				

ISOLATION PLATE (HDS-3006/3505/3008/4005-0B7G)

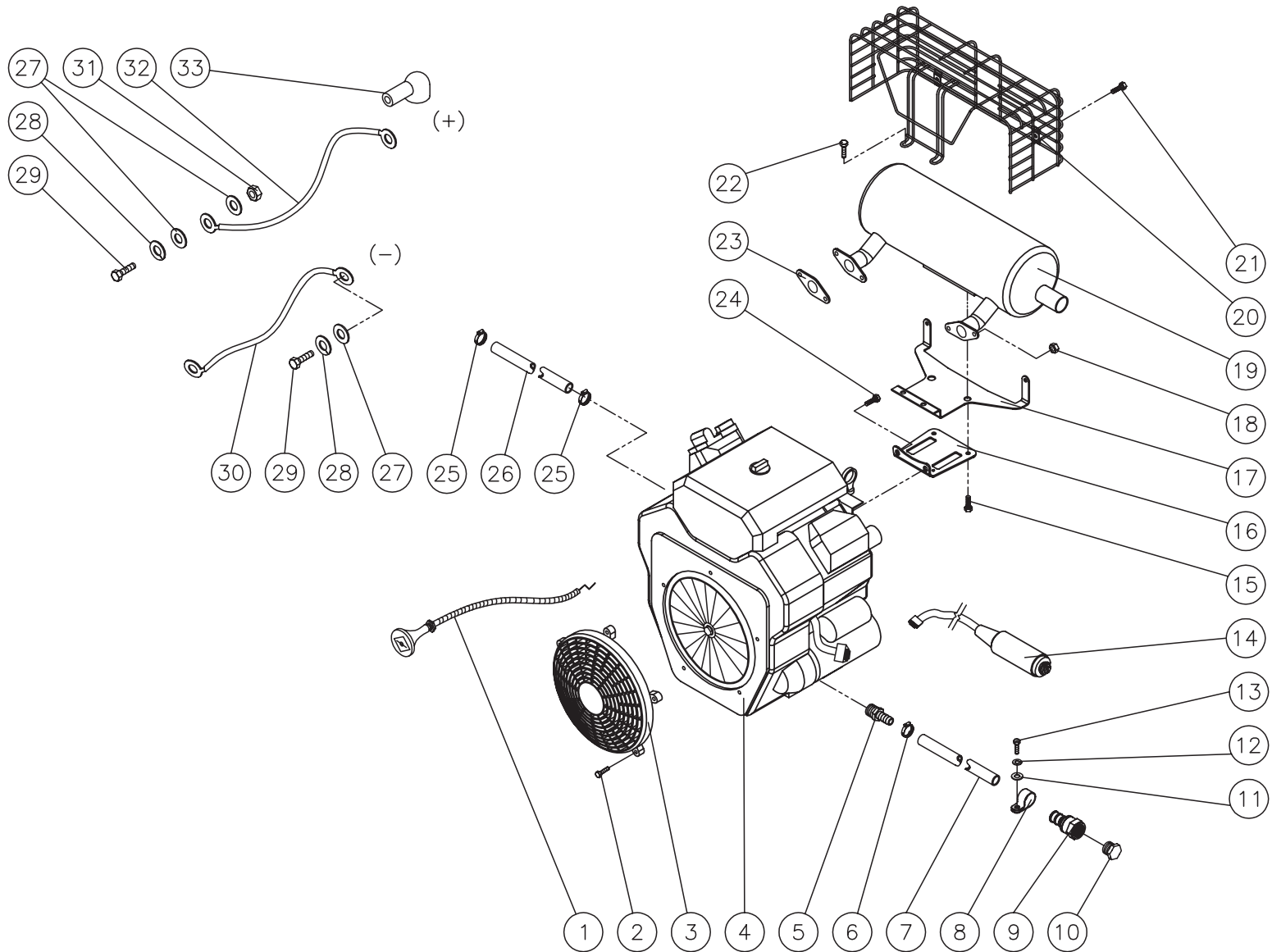


HDS_HVS_HS KUBOTA ISO PLATE 021317 CH

ISOLATION PLATE							
ITEM	DESCRIPTION	PART #	QTY	ITEM	DESCRIPTION	PART #	QTY
1	ISOLATION PLATE (3006/3505/4005)	5-0257A18	1	29	WASHER (3006/3505/4005)	28-0024	8
-	ISOLATION PLATE (3008)	5-0310A18	1	-	WASHER (3008)	28-0024	16
2	NUT	30-0006	11	30	NUT (3006/3505/4005)	30-0163	4
3	CLIP	33-0291	1	-	NUT (3008)	30-0163	8
4	WASHER	28-0023	12	31	CLIP	43-0003	2
5	TENSION BRACKET	20-0587A18	2	32	PUMP BELTGUARD (3006/3505/4005)	6-0159A18	1
6	BOLT	27-1201	4	-	PUMP BELTGUARD (3008)	6-0168A18	1
7	BOLT	27-0133	3	33	WIRE KIT (3008)	32-9106	2
8	BOLT	27-0576	1	34	BATTERY BOX (3008)	33-0093	1
9	WASHER	28-0003	8	35	STRAP (3008)	33-0089	1
10	LOCKWASHER	29-0007	3	36	BATTERY TRAY (3008)	20-1135A18	1
11	ALTERNATOR HAT	20-0583A18	1	37	BELT(3006)	11-0049	2
12	LOCKNUT	30-0157	3	-	BELT (3008)	11-0052	2
13	BOLT	27-0067	3	-	BELT (3505)	11-0101	2
14	ALTERNATOR	850-0352	1	-	BELT (4005)	11-0102	2
15	SHEAVE (3006/3505/4005)	10-0028	1	38	BUSHING	9-0017	1
-	SHEAVE (3008)	10-0039	1	39	SHEAVE (3505/3008)	10-0037	1
16	BUSHING	9-0033	1	-	SHEAVE (3006)	10-0012	1
17	BOLT	27-0015	4	-	SHEAVE (4005)	10-0046	1
18	BELT (3006/3505/4005)	11-0070	1	40	BELTGUARD COVER (3006/3505/4005)	6-0161A18	2
-	BELT (3008)	11-0097	1	-	BELTGUARD COVER (3008)	6-0170A18	2
19	ALTERNATOR BELTGUARD (3006/3505/4005)	6-0160A18	1	41	PLUG	23-0411	1
-	ALTERNATOR BELTGUARD (3008)	6-0169A18	1	42	HOSE BARB	23-0360	1
20	NUT	30-0002	4	43	HOSE *(TWO FEET REQUIRED)	15-0007	1
21	LOCKWASHER	29-0006	6	44	HOSE CLAMP	42-0011	1
22	WASHER	28-0002	4	45	ELBOW	23-0119	1
23	BOLT (3008)	27-1200	14	46	LOCKNUT	30-0159	2
-	BOLT (3006/3505/4005)	27-1200	10	47	TENSION BRACKET	20-0584A18	1
24	BOLT	27-0850	2	48	LOCKWASHER	29-0008	4
25	BUSHING	9-0010	1	49	WASHER	28-0030	4
26	SHEAVE (3006/3505/4005)	10-0061	1	50	PUMP HAT (3006/3505/4005)	5-0262A18	1
-	SHEAVE (3008)	10-0011	1	-	PUMP HAT (3008)	5-0338A18	1
27	ENGINE	850-0358	1	51	CLIP NUT (3006/3505/4005)	30-6025	2
-	ENGINE (3008)	850-0419	1	-	CLIP NUT (3008)	30-6029	2
28	BOLT (3006/3505/4005)	27-0219	4	52	LOCKWASHER	29-0055	4
-	BOLT (3008)	27-0219	8	53	BOLT	27-8471	4

*MUST ORDER IN ONE FOOT LENGTHS

ENGINE ASSEMBLY (850-0293 / 850-0384)



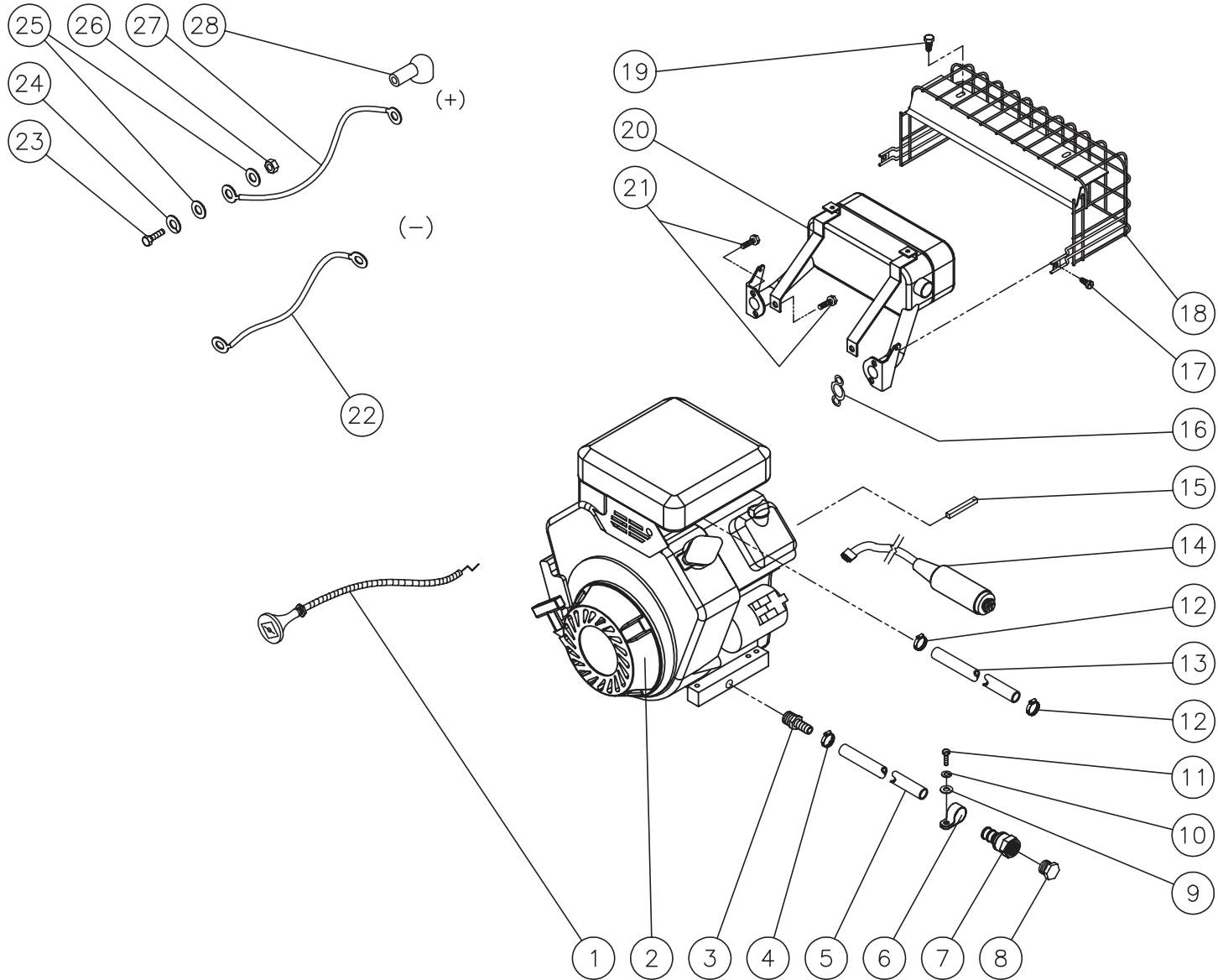
850-0293_850-0384-021313-KMID

ENGINE ASSEMBLY (850-0293_850-0384)

REF #	DESCRIPTION	PART #	QTY	REF #	DESCRIPTION	PART #	QTY
1	Choke Cable	33-0081	1	17	Guard Support (See 45-0077)	N/A Sep.	1
2	Bolt (See 45-0072)	N/A Sep.	5	18	Nut (See 45-0074)	N/A Sep.	4
3	Front Guard	45-0072	1	19	Canister Muffler	45-0074	1
4	Engine- 25HP Kolher (850-0293)	1-0124	1	20	Muffler Guard	45-0077	1
-	Engine- 27HP Kolher (850-0384)	1-0165	1	21	Bolt (See 45-0077)	N/A Sep.	2
5	Hose Barb	23-0105	1	22	Bolt (See 45-0077)	N/A Sep.	2
6	Clamp Worm	42-0011	1	23	Gasket (See 45-0074)	N/A Sep.	2
7	Hose *(One Foot Required)	15-0007	1	24	Bolt (See 45-0074)	N/A Sep.	2
8	Tube Clip	33-0291	1	25	Clamp	42-0004	2
9	Hose Barb	23-0360	1	26	Hose *(Three Feet Required)	15-0008	1
10	Plug	23-0411	1	27	Washer	28-0003	5
11	Washer	28-0002	1	28	Lockwasher	29-0007	3
12	Lockwasher	29-0006	1	29	Screw	27-0066	3
13	Screw	27-0015	1	30	Cable -Black *(Two Feet Required)	32-9113	1
14	Key Switch Assembly	850-0299	1	31	Nut	30-0005	2
15	Bolt (See 45-0074)	N/A Sep.	2	32	Cable -Red *(Two Feet Required)	32-9113	1
16	Muffler Support (See 45-0074)	N/A Sep.	1	33	Terminal Protector- Black	33-0273	1

*Must Order in One Foot Lengths

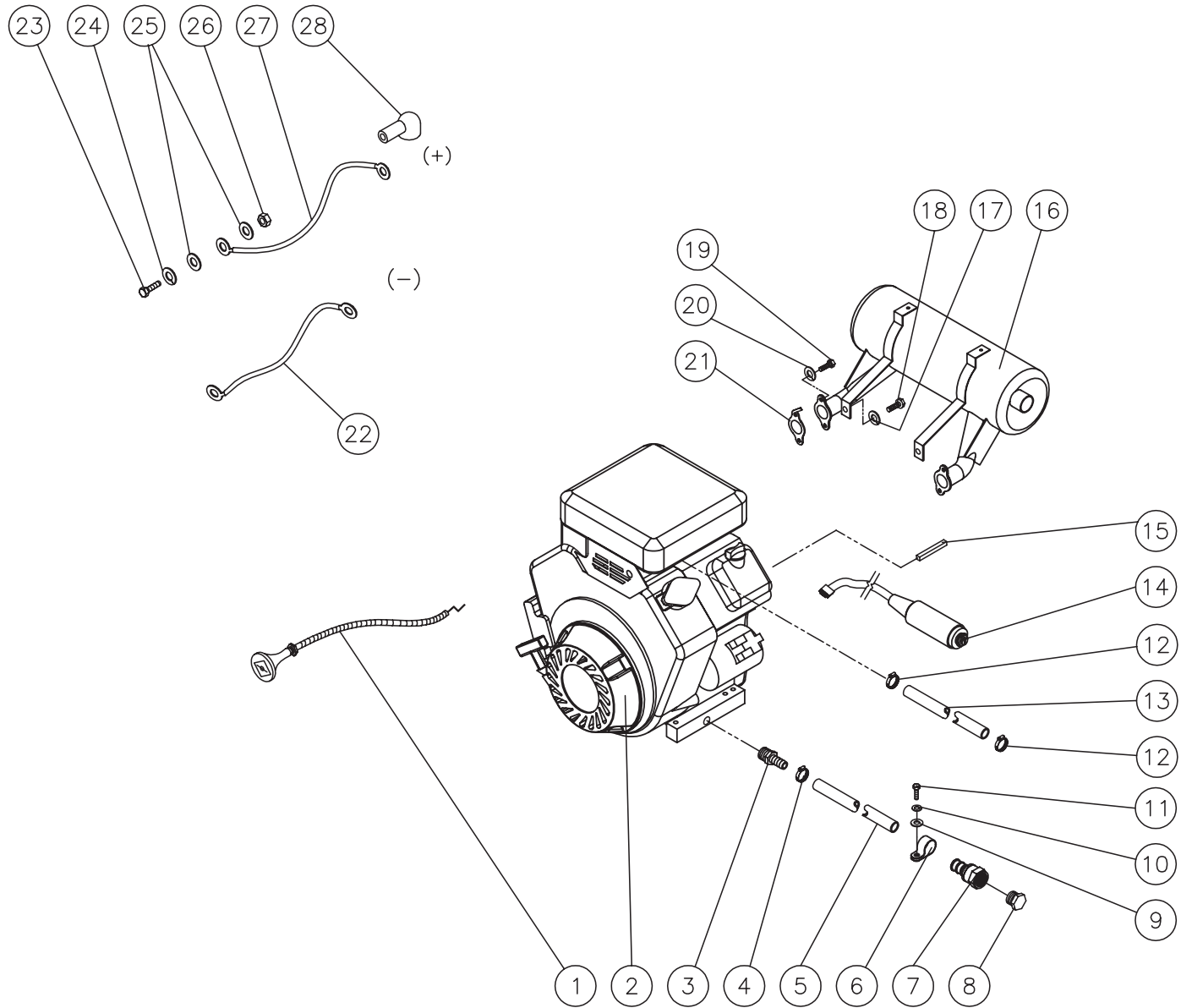
ENGINE ASSEMBLY (850-0294)



850-0294-0213-KMID

ENGINE ASSEMBLY (850-0294)								
REF #	DESCRIPTION	PART #	QTY		REF #	DESCRIPTION	PART #	QTY
1	Choke Cable	33-0081	1		15	Key	43-0078	1
2	Engine- 16HP Vanguard	1-0129	1		16	Gasket	45-0066	2
3	Hose Barb	23-0105	1		17	Screw	27-8966	2
4	Clamp Worm	42-0011	1		18	Muffler Guard	45-0067	1
5	Hose *(One Foot Required)	15-0007	1		19	Screw	27-8967	2
6	Tube Clip	33-0291	1		20	High Mount Muffler	45-0064	1
7	Hose Barb	23-0360	1		21	Screw	27-8968	4
8	Plug	23-0411	1		22	Cable- Black *(Two Feet Required)	32-9113	1
9	Washer	28-0002	1		23	Screw	27-0066	2
10	Lockwasher	29-0006	1		24	Lockwasher	29-0007	2
11	Screw	27-0015	1		25	Washer	28-0003	4
12	Clamp	42-0004	2		26	Nut	30-0005	2
13	Hose *(Six Feet Required)	15-0008	1		27	Cable- Red *(Three Feet Required)	32-9114	1
14	Key Switch Assembly	850-0302	1		28	Terminal Protector- Black	33-0273	1
*Must Order in One Foot Lengths								

ENGINE ASSEMBLY (850-0295)



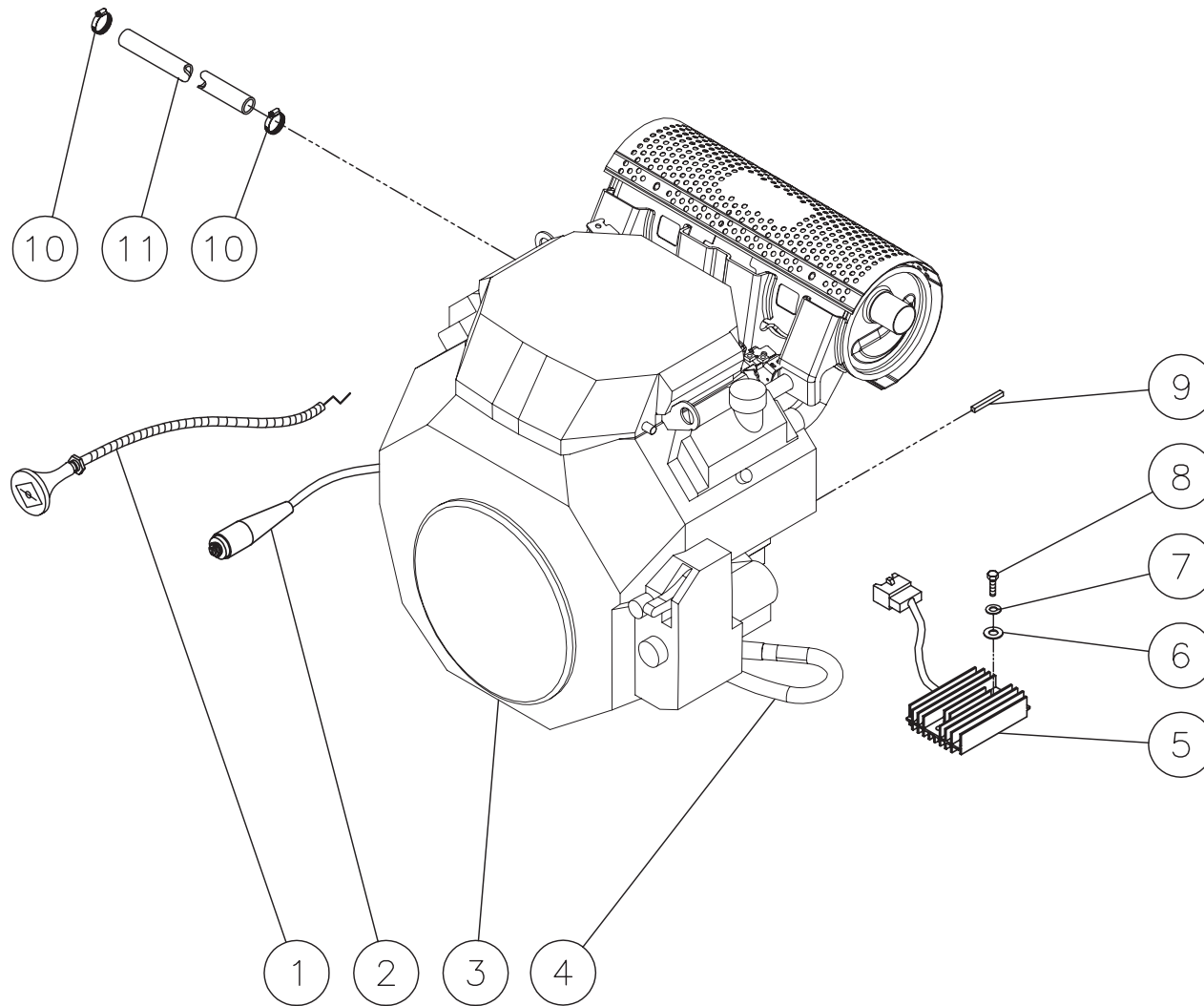
850-0295-0213-KMID

ENGINE ASSEMBLY (850-0295)

REF #	DESCRIPTION	PART #	QTY	REF #	DESCRIPTION	PART #	QTY
1	Choke Cable	33-0081	1	15	Key	43-0078	1
2	Engine- Vanguard	1-0130	1	16	Muffler	45-0075	1
3	Hose Barb	23-0105	1	17	Lockwasher (w/Engine)	N/A Sep.	2
4	Clamp Worm	42-0011	1	18	Bolt (w/Engine)	N/A Sep.	2
5	Hose *(One Foot Required)	15-0007	1	19	Bolt (w/Engine)	N/A Sep.	2
6	Tube Clip	33-0291	1	20	Lockwasher (w/Engine)	N/A Sep.	2
7	Hose Barb	23-0360	1	21	Gasket (w/Engine)	N/A Sep.	2
8	Plug	23-0411	1	22	Cable Black	32-9113	3
9	Washer	28-0002	1	23	Screw	27-0066	2
10	Lockwasher	29-0006	1	24	Lockwasher	29-0007	2
11	Clamp	42-0004	2	25	Washer	28-0003	4
12	Hose *(Six Feet Required)	15-0008	1	26	Nut	30-0005	2
13	Screw	27-0015	1	27	Cable Red	32-9114	1
14	Key Switch Assembly	850-0302	1	28	Terminal Protector- Black	33-0273	1

*Must Order in One Foot Lengths

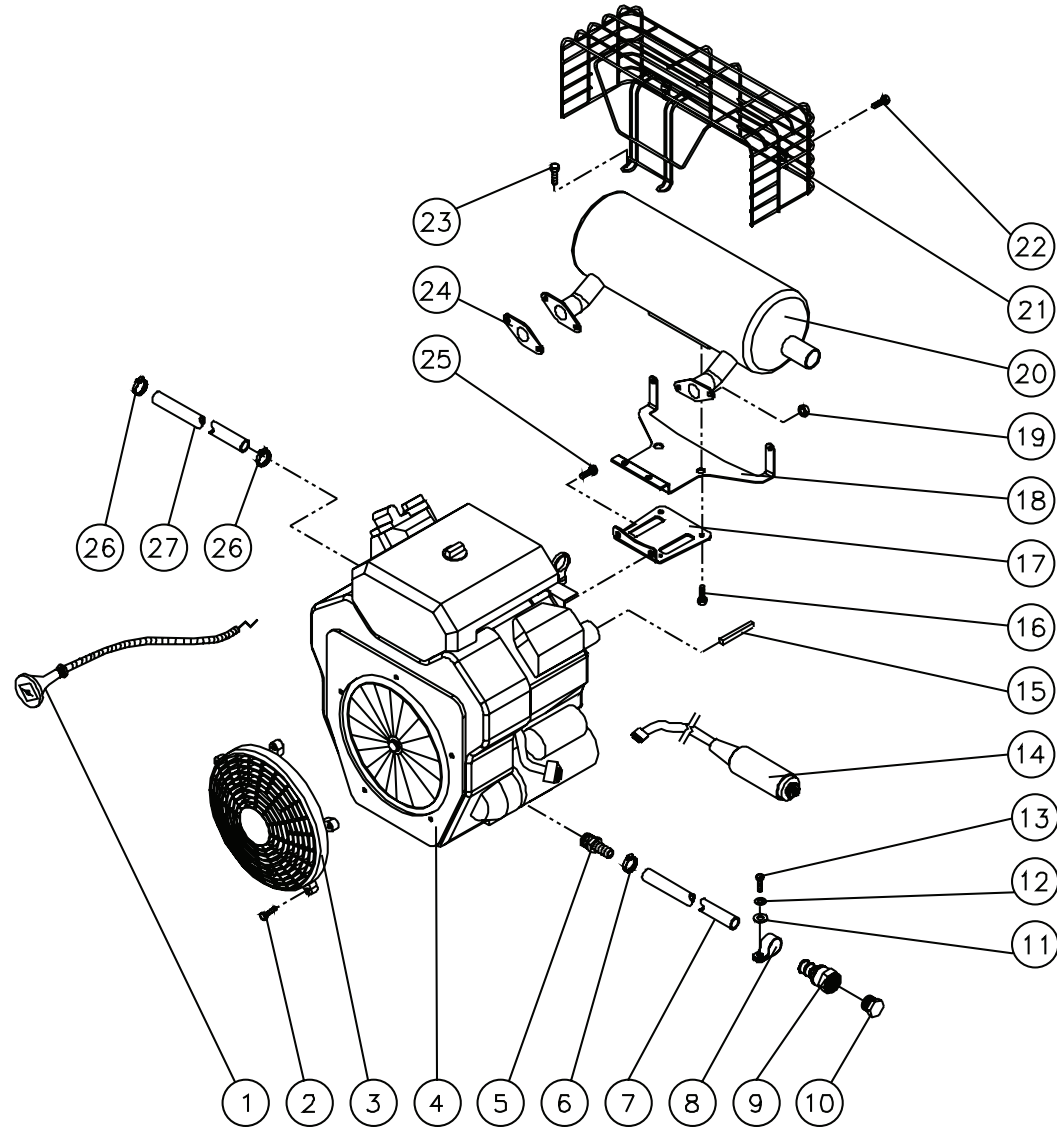
ENGINE ASSEMBLY (850-0393 / 850-0394)



850-0393_850-0394 040615

850-0393_850-0394 040615 MLK			
ENGINE ASSEMBLY			
REF.	DESCRIPTION	PART #	QTY.
1	CHOKE CABLE	33-0081	1
2	KEY SWITCH ASSEMBLY	45-0076	1
3	ENGINE (850-0393)	1-0186	1
-	ENGINE (850-0394)	1-0187	1
4	KIT/ENGINE OIL DRAIN	70-0555	1
5	RECTIFIER	N/A	1
6	WASHER	28-0002	2
7	LOCKWASHER	29-0006	2
8	SCREW	27-0016	2
9	KEY	43-0078	1
10	CLAMP	42-0004	2
11	HOSE *(FOUR FEET REQUIRED)	15-0008	1
*MUST ORDER IN ONE FOOT LENGTHS			

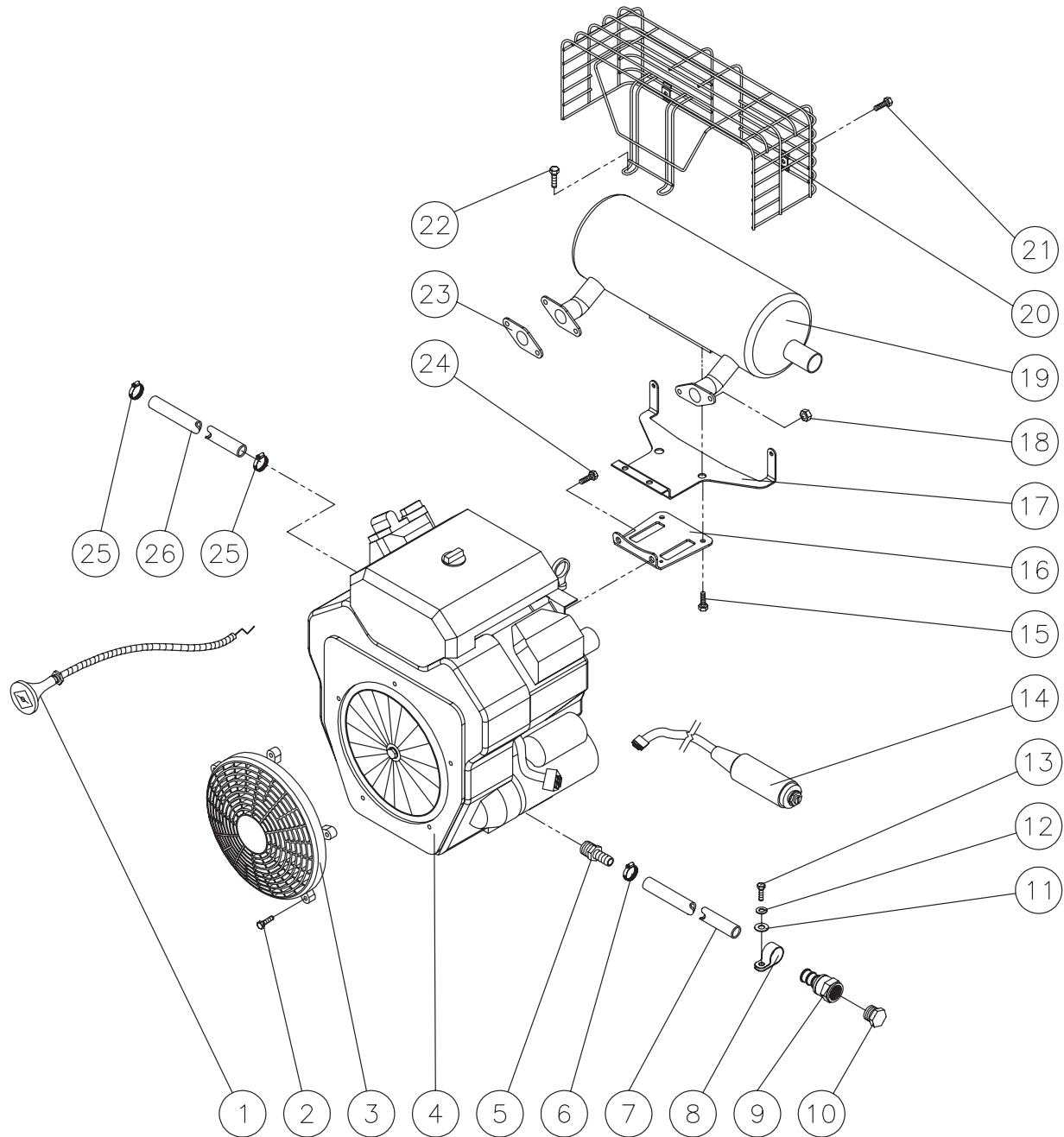
ENGINE ASSEMBLY (850-0332)



850-0332-042103-KZ

ENGINE ASSEMBLY (850-0332)							
REF #	DESCRIPTION	PART #	QTY	REF #	DESCRIPTION	PART #	QTY
1	Choke Cable	33-0081	1	15	Key	43-0078	1
2	Bolt (See 45-0072)	N/A Sep.	5	16	Bolt (See 45-0073)	N/A Sep.	2
3	Blower Housing Front Guard w/Engine	45-0072	1	17	Muffler Support (See 45-0073)	N/A Sep.	1
4	Engine- 18HP Kolher	1-0140	1	18	Muffler Guard Support (See 45-0077)	N/A Sep.	1
5	Hose Barb	23-0105	1	19	Nut (See 45-0073)	N/A Sep.	4
6	Clamp Worm	42-0011	1	20	Canister Muffler	45-0073	1
7	Hose *(One Foot Required)	15-0007	1	21	Muffler Guard	45-0077	1
8	Tube Clip	33-0291	1	22	Bolt (See 45-0077)	N/A Sep.	2
9	Hose Barb	23-0360	1	23	Bolt (See 45-0077)	N/A Sep.	2
10	Plug	23-0411	1	24	Gasket (See 45-0073)	N/A Sep.	2
11	Washer	28-0002	1	25	Bolt (See 45-0073)	N/A Sep.	2
12	Lockwasher	29-0006	1	26	Clamp Worm	42-0004	2
13	Screw	27-0015	1	27	Hose *(Three Feet Required)	15-0008	1
14	Key Switch Assembly	850-0299	1	*Must Order in One Foot Lengths			

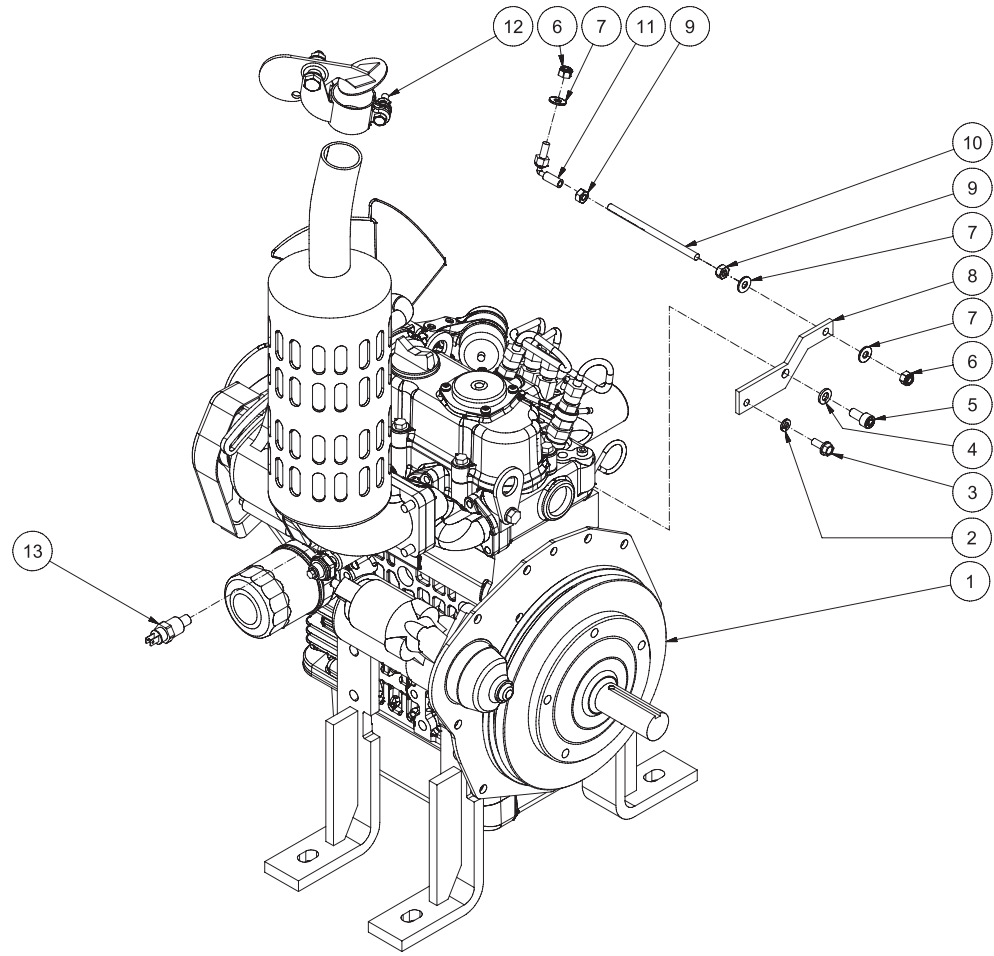
ENGINE ASSEMBLY (850-0333)



850-0333-090105-KZ

ENGINE ASSEMBLY (850-0333)							
REF #	DESCRIPTION	PART #	QTY	REF #	DESCRIPTION	PART #	QTY
1	Choke Cable	33-0081	1	14	Key Switch Assembly	850-0299	1
2	Bolt (See 45-0072)	N/A Sep.	5	15	Bolt (See 45-0073)	N/A Sep.	2
3	Blower Housing Front Guard w/Engine	45-0072	1	16	Muffler Support (See 45-0073)	N/A Sep.	1
4	Engine- 20HP Kohler	1-0141	1	17	Muffler Guard Support (See 45-0077)	N/A Sep.	1
5	Hose Barb	23-0105	1	18	Nut (See 45-0073)	N/A Sep.	4
6	Clamp Worm	42-0011	1	19	Canister Muffler	45-0073	1
7	Hose *(One Foot Required)	15-0007	1	20	Muffler Guard	45-0077	1
8	Tube Clip	33-0291	1	21	Bolt (See 45-0077)	N/A Sep.	2
9	Hose Barb	23-0360	1	22	Bolt (See 45-0077)	N/A Sep.	2
10	Plug	23-0411	1	23	Gasket (See 45-0073)	N/A Sep.	2
11	Washer	28-0002	1	24	Bolt (See 45-0073)	N/A Sep.	2
12	Lockwasher	29-0006	1	25	Clamp Worm	42-0004	2
13	Screw	27-0015	1	26	Hose *(Three Feet Required)	15-0008	1
*Must Order in One Foot Lengths							

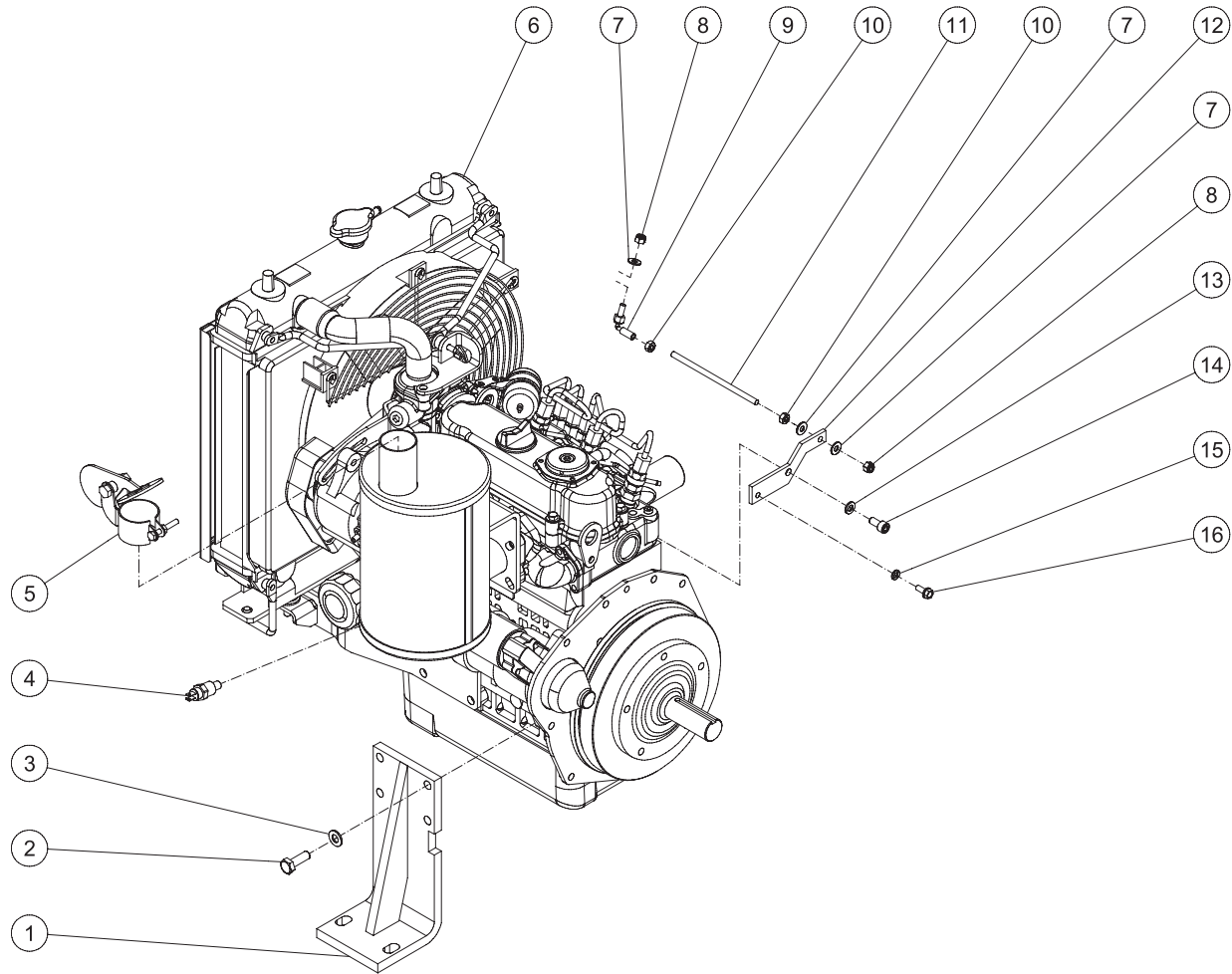
ENGINE ASSEMBLY (850-0358)



850-0358-052312-JDK

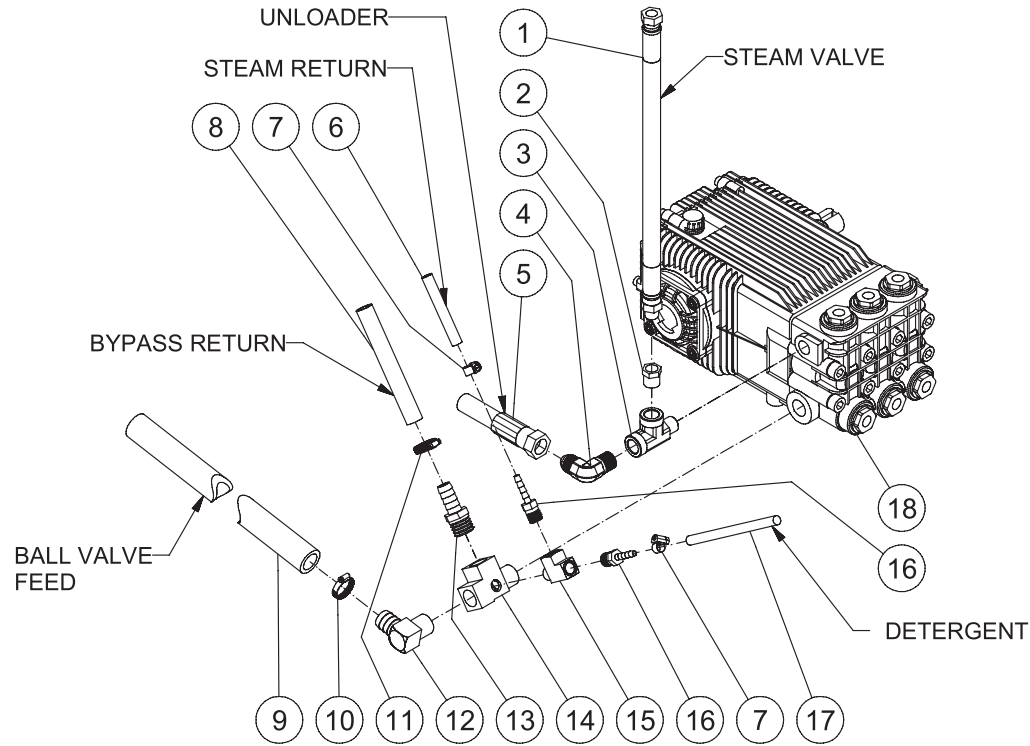
850-0358-052312-JDK			
ENGINE ASSEMBLY (850-0358)			
REF #	DESCRIPTION	PART #	QTY
1	KUBOTA DIESEL ENGINE	1-0163	1
2	LOCKWASHER	29-0006	1
3	BOLT	27-8001	1
4	LOCKWASHER	29-0007	1
5	BOLT	27-8884	1
6	LOCKNUT	30-0155	2
7	WASHER	28-0002	3
8	THROTTLE PLATE	13-0177A18	1
9	HEX NUT	30-0002	2
10	THREADED ROD *(ONE FOOT REQUIRED)	54-0046	1
11	BALL JOINT LINKAGE	33-0440	1
12	MUFFLER RAIN CAP	33-0441	1
13	ENGINE TEMP SWITCH	45-0408	1
*MUST ORDER IN ONE FOOT LENGTHS			

ENGINE ASSEMBLY (850-0419)



ENGINE ASSEMBLY			
ITEM	DESCRIPTION	PART #	QTY
1	ENGINE FOOT MOUNT	20-1261A18	4
2	BOLT	27-8078	12
3	WASHER	28-0004	12
4	TEMP SWITCH	45-0408	1
5	RAIN CAP	33-0545	1
6	ENGINE	1-0203	1
7	WASHER	28-0002	3
8	LOCKNUT	30-0155	2
9	BALL JOINT LINKAGE	33-0440	1
10	NUT	30-0002	2
11	THREADED ROD (ONE FOOT REQUIRED)	54-0046	1
12	THROTTLE PLATE	13-0177A18	1
13	LOCKWASHER	29-0007	1
14	BOLT	27-8884	1
15	LOCKWASHER	29-0006	1
16	BOLT	27-8001	1
*MUST ORDER IN ONE FOOT LENGTHS			

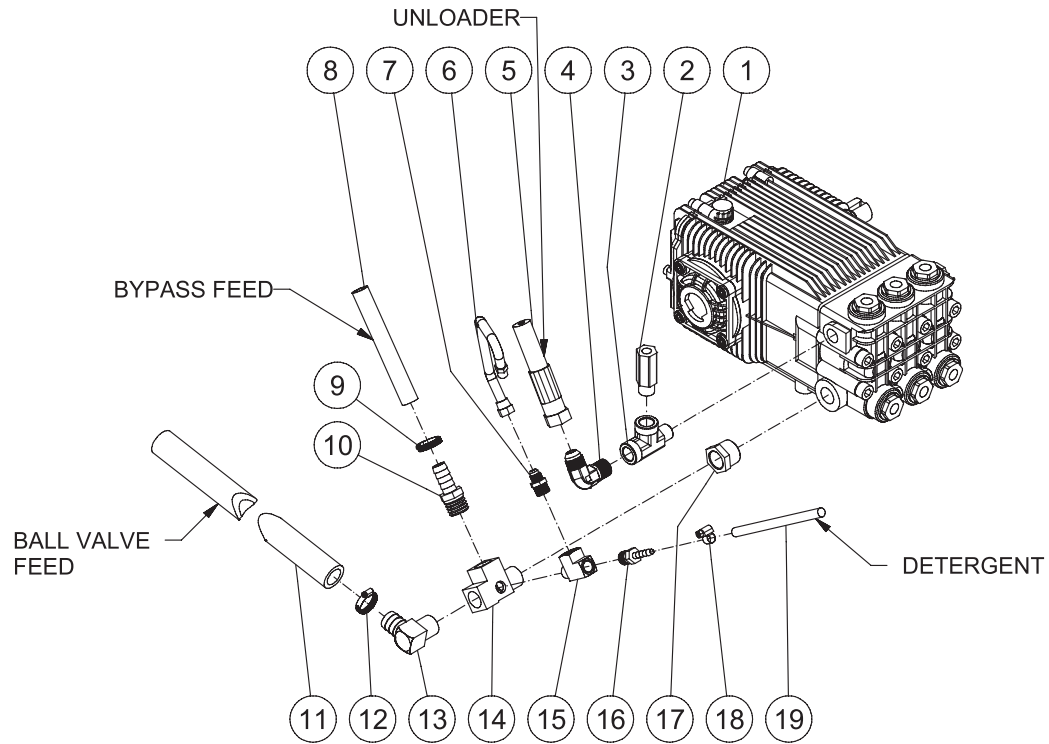
PUMP PLUMBING (HDS-3005/3006/3505/3506) (AFTER SERIAL #15022139)



HDS-3005_3006_3505_3506 PUMP PLUMBING-072012-CH			
PUMP PLUMBING (HDS-3005/3006/3505/3506) (AFTER SERIAL #15022139)			
REF. #	DESCRIPTION	PART #	QTY.
1	High Pressure Hose Assy	15-0225	1
2	Bushing	23-0017	1
3	Street Tee	23-0058	1
4	Elbow	24-0092	1
5	High Pressure Hose Assy	15-0221	1
6	Fuel Hose *(Two Feet Required)	15-0008	1
7	Clamp Worm	42-0004	2
8	Hose *(Three Feet Required)	15-0007	1
9	Hose *(Four Feet Required)	15-0033	1
10	Hose Clamp	42-0003	1
11	Hose Clamp	42-0011	1
12	Elbow	23-0037	1
13	Hose Barb	23-0045	1
14	Street Tee	23-0388	1
15	Street Tee	23-0127	1
16	Hose Barb	23-0051	2
17	Detergent Hose *(Two Feet Required)	15-0079	1
18	Pump (A/R Models)	3-0212	1
-	Pump (General Models)	3-0202	1
*Must Order in One Foot Lengths			

HDS-3005_3006_3505_3506 PUMP PLUMBING 072012-CH

PUMP PLUMBING (HDS-3008/4005)



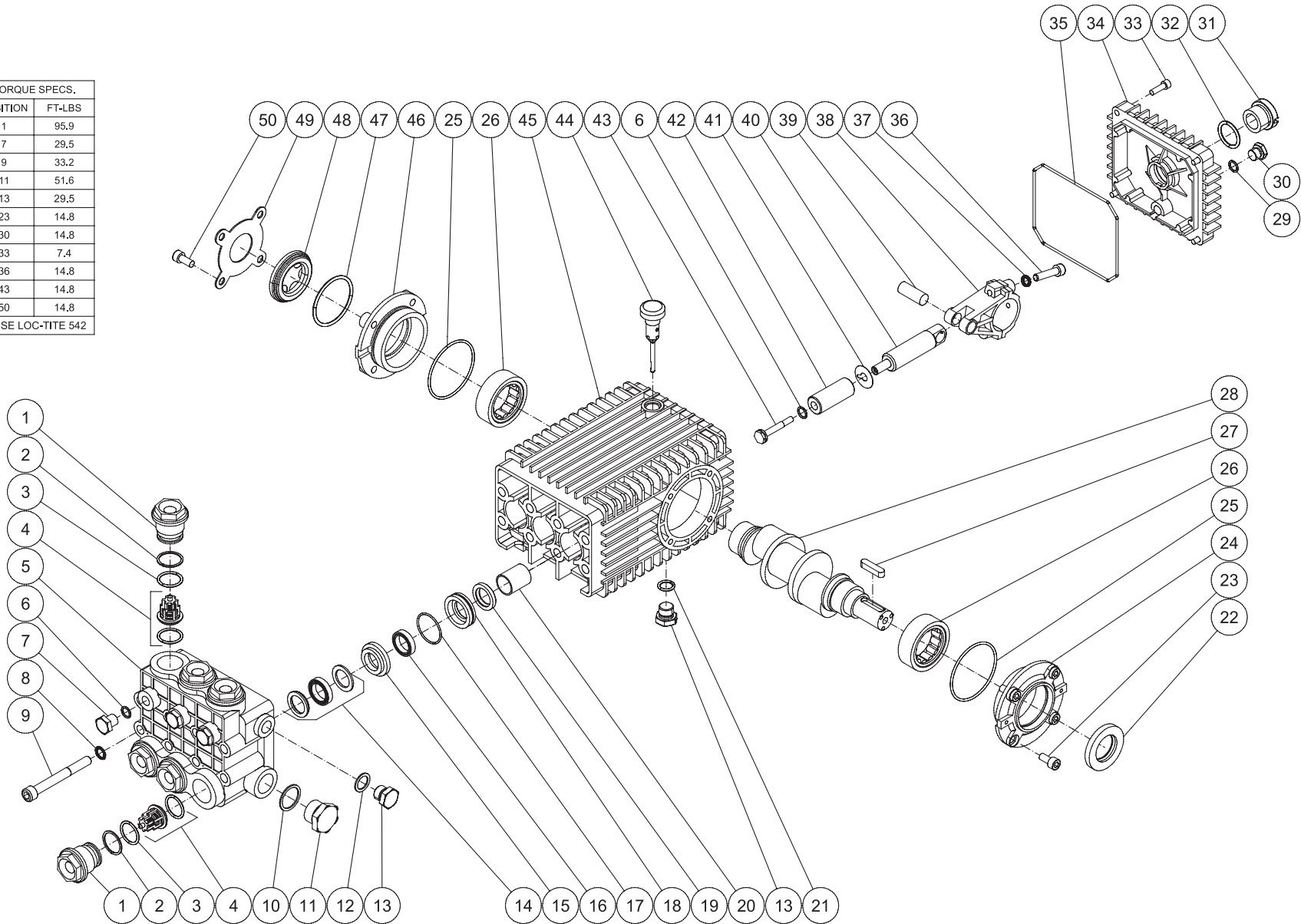
HDS-4005_3008 PUMP PLUMBING-072012-CH			
PUMP PLUMBING (HDS-4005_3008)			
REF. #	DESCRIPTION	PART #	QTY.
1	Pump (General Models)	3-0262	1
-	Pump (A/R Models)	3-0212	1
-	Pump (3008 Models)	3-0301	1
2	Easy Start Valve	22-0242	1
3	Street Tee	23-0058	1
4	Elbow	24-0092	1
5	High Pressure Hose Assy	15-0221	1
6	Easy Start Hose Assy	15-0140	1
7	Nipple	23-0247	1
8	Hose *(Three Feet Required)	15-0007	1
9	Hose Clamp	42-0011	1
10	Hose Barb	23-0045	1
11	Hose *(Four Feet Required)	15-0033	1
12	Hose Clamp	42-0003	1
13	Elbow	23-0037	1
14	Street Tee	23-0388	1
15	Street Tee	23-0127	1
16	Hose Barb	23-0051	1
17	Bushing (3008 Models)	23-0023	1
18	Clamp Worm	42-0004	1
19	Fuel Hose *(Two Feet Required)	15-0079	1
*Must Order in One Foot Lengths			

HDS-4005 PUMP PLUMBING-072012-CH

PUMP ASSEMBLY (3-0301)

TORQUE SPECS.	
POSITION	FT-LBS
1	95.9
7	29.5
9	33.2
11	51.6
13	29.5
23	14.8
30	14.8
33	7.4
36	14.8
43	14.8
50	14.8

** USE LOC-TITE 542



3-0301 041414 ALC

PUMP ASSEMBLY

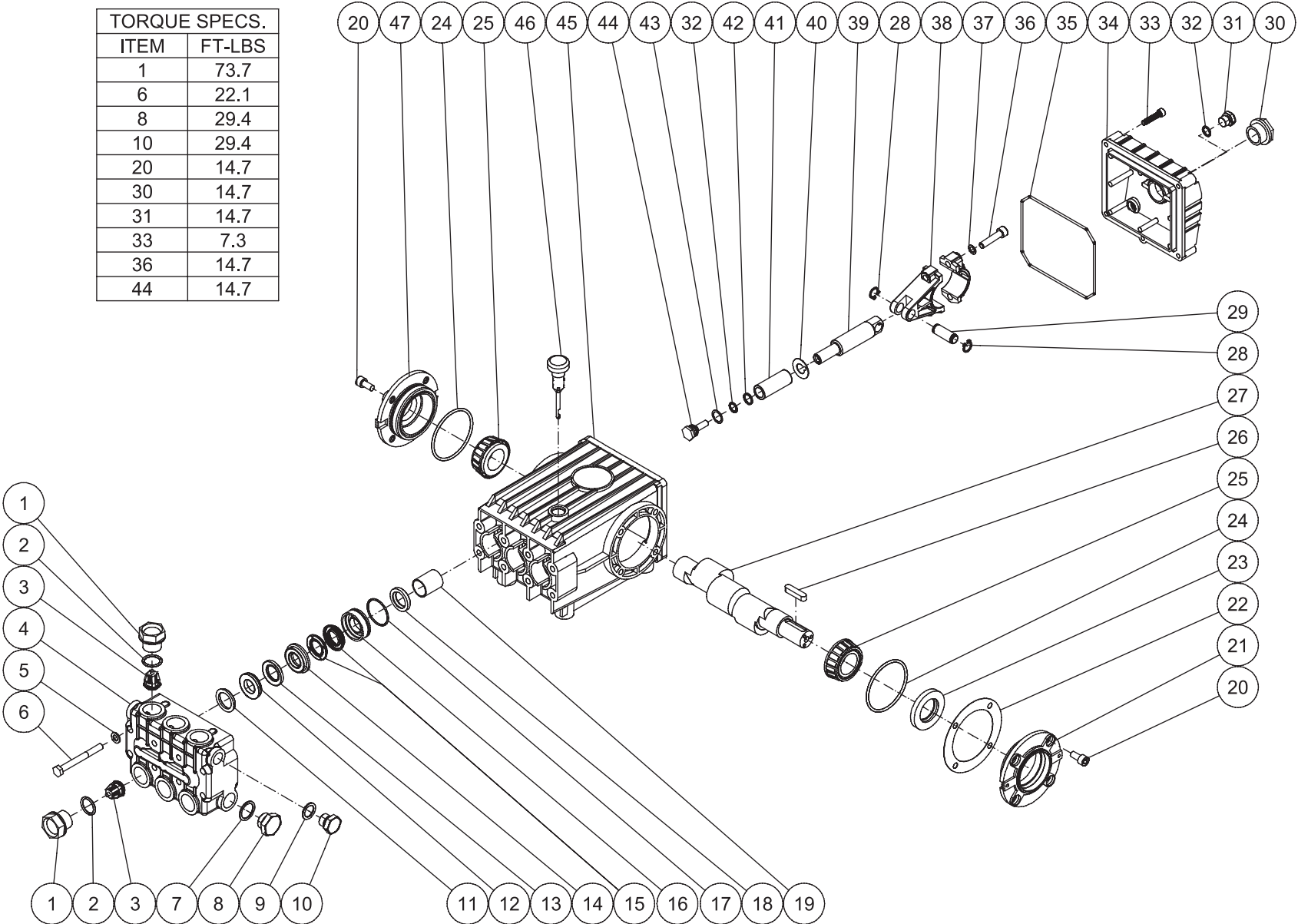
ITEM	DESCRIPTION	PART #	QTY	ITEM	DESCRIPTION	PART #	QTY
1	VALVE CAP	46-1222	6	26	BEARING	48-0085	2
2	RING	25-0592	6	27	KEY	46-0602	1
3	O-RING	25-0139	6	28	CRANKSHAFT	46-1344	1
4	VALVE ASSEMBLY (SEE KIT 70-0439)	SEE KIT	6	29	O-RING	25-0014	1
5	MANIFOLD	46-1220	1	30	PLUG	39-0017	1
6	O-RING	25-0310	6	31	SIGHT GLASS	46-1163	1
7	PLUG	39-0222	3	32	O-RING	25-0059	1
8	LOCKWASHER	29-0155	8	33	BOLT	27-8812	4
9	BOLT	27-9595	8	34	CRANKCASE COVER	46-1212	1
10	GASKET	28-1051	1	35	O-RING	25-0339	1
11	PLUG	39-0221	1	36	BOLT	27-8435	6
12	WASHER	28-1002	1	37	LOCKWASHER	29-1014	6
13	PLUG	39-0018	2	38	CONNECTING ROD	46-1211	3
14	HP SEAL (SEE KIT 70-0440 AND 70-0441)	SEE KIT	3	39	CONNECTING ROD PIN	43-0118	3
15	HP RING (SEE KIT 70-0441)	SEE KIT	3	40	PLUNGER ROD	46-1213	3
16	LP SEAL (SEE KIT 70-0440 AND 70-0441)	SEE KIT	3	41	SLINGER WASHER	46-1214	3
17	O-RING (SEE KIT 70-0441)	25-0015	3	42	PLUNGER	46-1221	3
18	LP SEAL (SEE KIT 70-0441)	SEE KIT	3	43	BOLT / PISTON	46-1216	3
19	OIL SEAL (SEE KIT 70-0432)	26-0047	3	44	OIL DIP STICK	46-0144	1
20	BUSHING	9-0029	3	45	CRANKCASE	46-1209	1
21	O-RING	25-0052	1	46	CRANKCASE COVER	46-1208	1
22	OIL SEAL	26-0049	1	47	O-RING	25-0060	1
23	BOLT	27-8431	4	48	OIL LEVEL INDICATOR	46-0574	1
24	CRANKCASE COVER OPEN	46-1217	1	49	SIGHTGLASS COVER	46-1207	1
25	O-RING	25-0590	2	50	BOLT	27-8433	4

REPLACEMENT PARTS

KIT #	DESCRIPTION	ITEMS	# OF ASSEMBLIES	# OF CYLINDER
70-0432	OIL SEAL KIT	19	3	3
70-0439	VALVE KIT	4	6	3
70-0440	LOW/HIGH PRESSURE SEALS	14, 16	3	3
70-0441	PACKING KIT	14-18	3	1

PUMP ASSEMBLY (3-0202)

TORQUE SPECS.	
ITEM	FT-LBS
1	73.7
6	22.1
8	29.4
10	29.4
20	14.7
30	14.7
31	14.7
33	7.3
36	14.7
44	14.7



3-0202_3-0203 082713 JDK

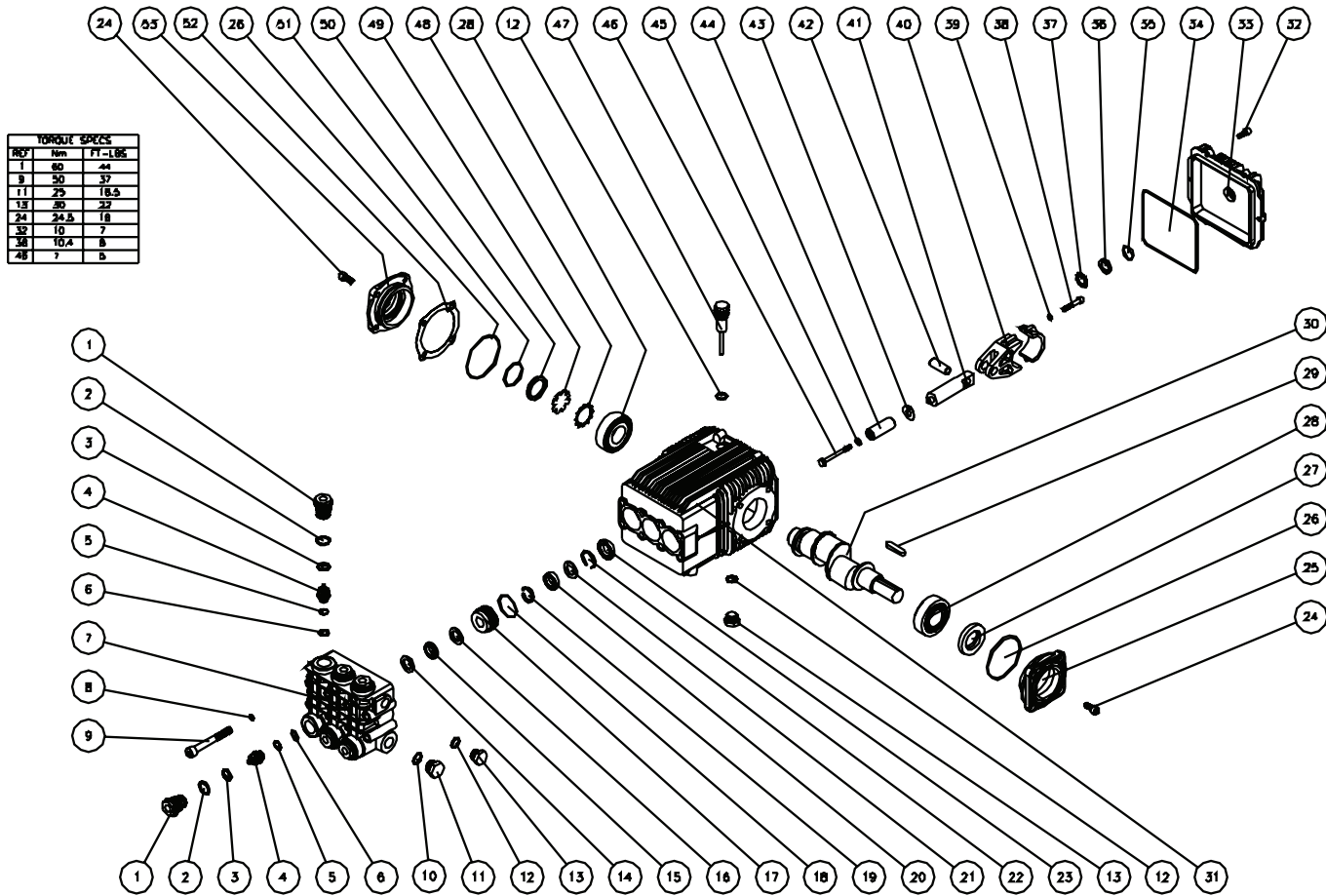
PUMP ASSEMBLY

ITEM	DESCRIPTION	PART #	QTY	ITEM	DESCRIPTION	PART #	QTY
1	VALVE CAP	46-0889	6	25	BEARING	48-0012	2
2	O-RING	25-0012	6	26	KEY	43-0048	1
3	VALVE (SEE KIT 70-0009)	SEE KIT	6	27	CRANKSHAFT	N/A	1
4	MANIFOLD	46-0890	1	28	RETAINING RING	46-0103	6
5	WASHER	28-1039	8	29	CONNECTING ROD PIN	43-0032	3
6	BOLT	27-8185	8	30	OIL LEVEL INDICATOR	46-0114	1
7	WASHER	28-1038	2	31	PLUG	39-0017	1
8	PLUG	39-0019	2	32	O-RING	25-0014	4
9	WASHER	28-1002	2	33	BOLT	27-8404	5
10	PLUG	39-0018	2	34	CRANKCASE OPEN COVER	46-0295	1
11	HEAD RING (SEE KIT 70-0030 AND 852-0122)	SEE KIT	3	35	O-RING	25-0339	1
12	V-PACKING SUPPORT (SEE KIT 70-0147 AND 852-0122)	SEE KIT	3	36	BOLT	27-8435	6
13	O-RING (SEE KIT 70-0147 AND 70-0148 AND 852-0122)	SEE KIT	3	37	LOCKWASHER	29-0154	6
14	HIGH PRESSURE INTERMEDIATE SEAL RETAINER (SEE KIT 70-0148)	SEE KIT	3	38	CONNECTING ROD	46-0051	3
15	PRESSURE SEAL (SEE KIT 70-0147 AND 852-0122)	SEE KIT	3	39	PISTON ROD	46-0056	3
16	LOW PRESSURE SEAL RETAINER	46-0057	3	40	SLINGER WASHER	46-0146	3
17	O-RING (SEE KIT 852-0122)	SEE KIT	3	41	PLUNGER	46-0052	3
18	OIL SEAL	26-0047	3	42	BACK-UP RING	46-0109	3
19	BUSHING	9-0029	3	43	WASHER	28-0400	3
20	BOLT	27-8431	8	44	NUT / PISTON	46-0069	3
21	CRANKCASE COVER	46-0296	1	45	CRANKCASE	46-0047	1
22	SHIM	46-0113	1	46	OIL DIP STICK	46-0144	1
23	OIL SEAL	26-0049	1	47	CRANKCASE COVER	46-0336	1
24	O-RING	25-0013	2				

REPLACEMENT KITS

KIT#	DESCRIPTION	ITEMS	# OF ASSEMBLIES	# OF CYLINDERS
70-0009	VALVES	3	6	3
70-0030	HEAD RING	11	3	3
70-0147	V-PACKING	12, 13, 15	3	3
70-0148	INTERMEDIATE RETAINER	13, 14	3	3
852-0122	V-PACKING ASSY	11-13, 15, 17	3	3

PUMP ASSEMBLY (3-0212)



3-0212 & 3-0213-060502-EDW

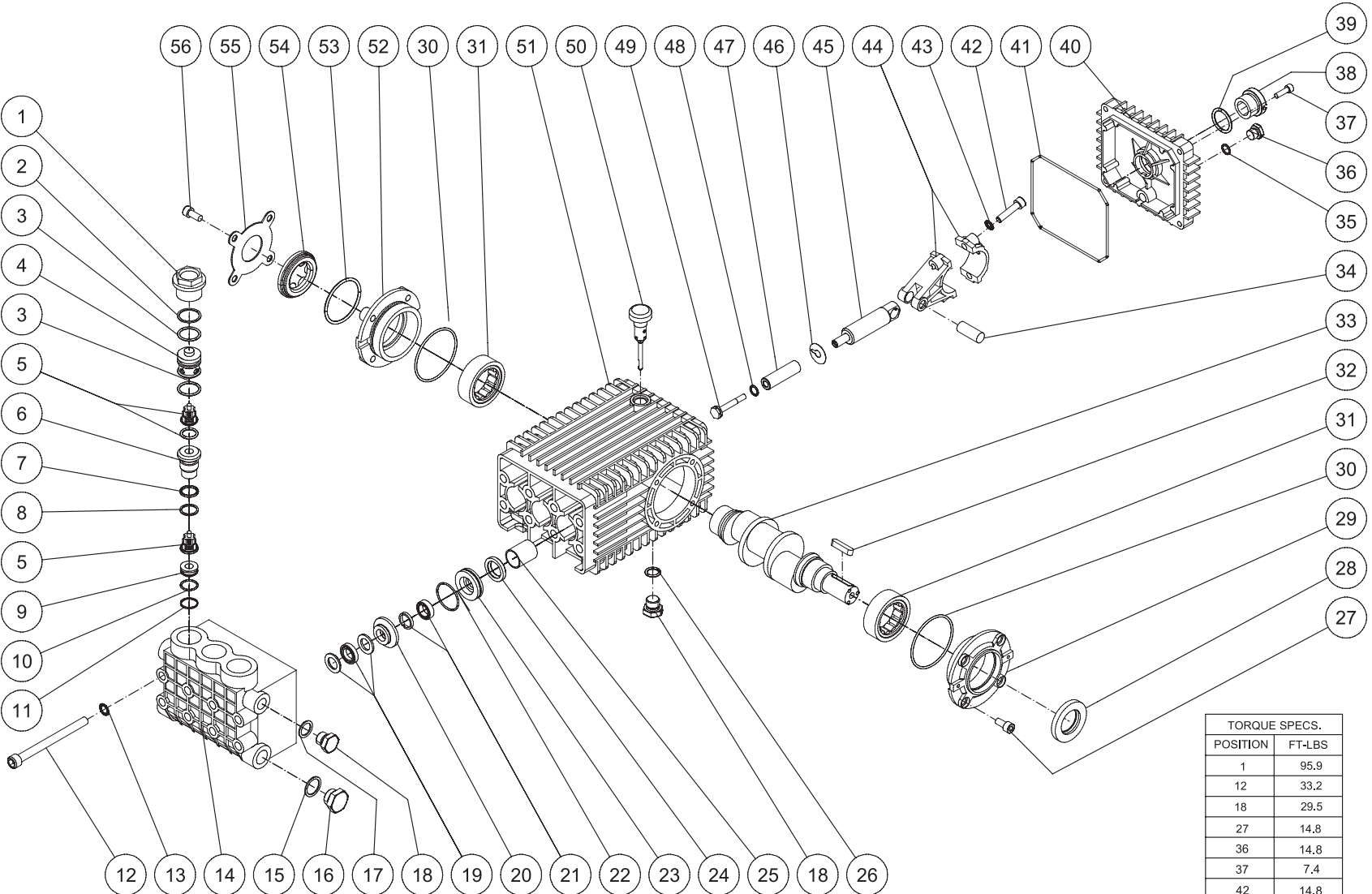
PUMP ASSEMBLY

REF. #	DESCRIPTION	PART #	QTY.	REF. #	DESCRIPTION	PART #	QTY.	REF. #	DESCRIPTION	PART #	QTY.
1	VALVE CAP	39-0201	6	19	BACK-UP RING (SEE KIT 70-0317)	46-0905	3	37	SPRING RETAINER	46-0671	1
2	BACK-UP RING	25-0509	6	20	LOW PRESSURE SEAL (SEE KIT 70-0317)	46-0906	3	38	SCREW	N/A	6
3	O-RING	25-0386	6	21	SPACER	46-0907	3	39	LOCKWASHER	N/A	6
4	VALVE W/O-RING (SEE KIT 70-0314)	22-0318	6	22	SNAP-RING	46-0908	3	40	CONNECTING ROD	46-0913	3
5	BACK-UP RING	25-0516	6	23	OIL SEAL	26-0242	3	41	PLUNGER ROD	46-0915	3
6	O-RING	25-0515	6	24	SCREW	27-8884	8	42	CONNECTING ROD PIN	46-0914	3
7	MANIFOLD PUMP	46-0900	1	25	SHAFT COVER	N/A	1	43	SLINGER WASHER	46-0916	3
8	LOCKWASHER	29-0155	8	26	O-RING	25-0512	2	44	PISTON	46-0917	3
9	SCREW	27-8470	8	27	OIL SEAL	26-0243	1	45	WASHER	28-1041	3
10	O-RING	25-0372	1	28	BEARING	48-0073	2	46	SCREW	27-8965	3
11	PLUG	39-0202	1	29	KEY	43-0091	1	47	OIL DIPSTICK	39-0204	1
12	O-RING	25-0510	3	30	CRANKSHAFT	N/A	1	48	SPRING RETAINER	46-0924	1
13	PLUG	39-0203	2	31	CRANKCASE	46-0911	1	49	REFLECTOR PUMP	46-0925	1
14	SUPPORT RING (SEE KIT 70-0317)	46-0901	3	32	SCREW	27-8888	6	50	OIL SIGHT	46-0926	1
15	HIGH PRESSURE SEAL (SEE KIT 70-0317)	46-0902	3	33	CRANKCASE COVER (INC. 35-37)	46-0912	1	51	O-RING	25-0514	1
16	LOW PRESSURE SEAL (SEE KIT 70-0317)	46-0903	3	34	O-RING	25-0513	1	52	SHIM	46-0947	1
17	PISTON GUIDE	46-0904	3	35	O-RING	25-0370	1	53	SUPPORT BEARING COVER (INC. 48-51)	46-0918	1
18	O-RING (SEE KIT 70-0317)	25-0511	3	36	OIL SIGHT GLASS	46-0670	1				

REPLACEMENT KITS

Mi-T-M KIT #	DESCRIPTION	ITEMS	# OF ASSEMBLIES	# OF CYLINDERS
70-0314	KIT - VALVES	4-6	6	3
70-0317	KIT - WATER SEALS	14-16, 18-20	3	3

PUMP ASSEMBLY (3-0262)



3-0262 06113 MLK

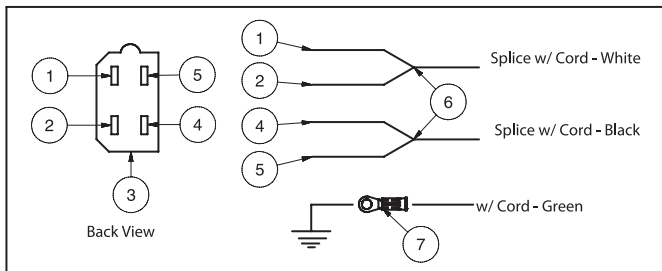
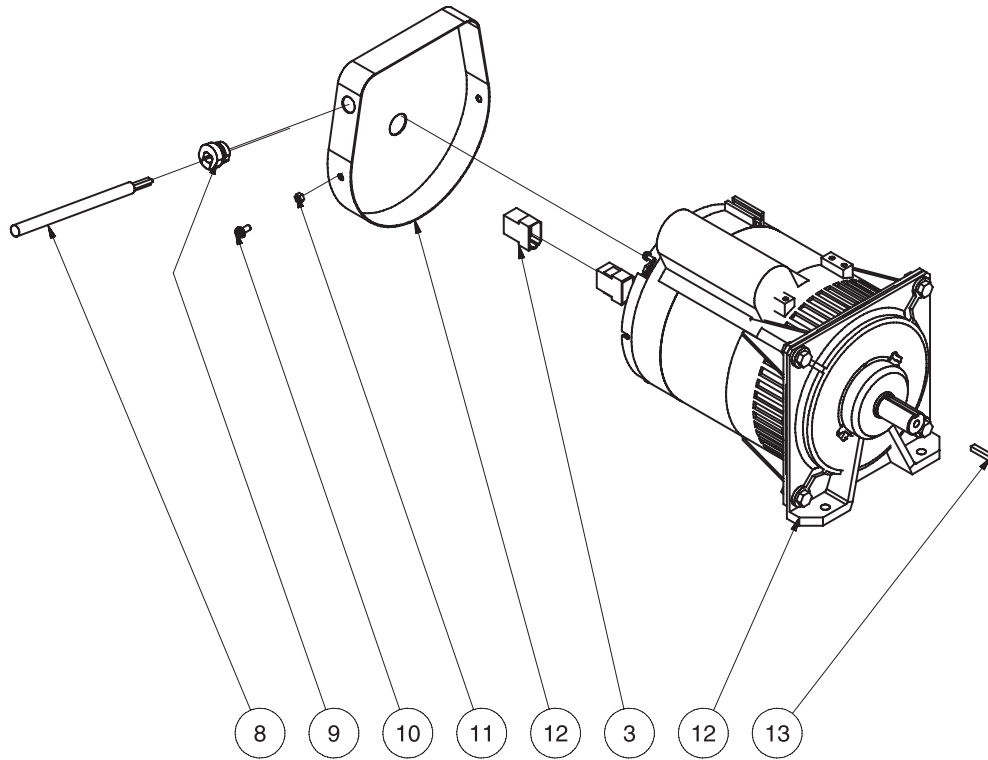
TORQUE SPECS.	
POSITION	FT-LBS
1	95.9
12	33.2
18	29.5
27	14.8
36	14.8
37	7.4
42	14.8
49**	14.8
56	14.8

** USE LOC-TITE 542

PUMP ASSEMBLY							
ITEM	DESCRIPTION	Mi-T-M #	QTY	ITEM	DESCRIPTION	Mi-T-M #	QTY
1	VALVE PLUG	46-1203	3	29	CRANKCASE COVER OPEN	46-1217	1
2	RING	25-0592	3	30	O-RING	25-0590	2
3	O-RING	25-0139	6	31	BEARING	48-0085	2
4	CAP	46-1206	3	32	KEY	46-0602	1
5	VALVE ASSEMBLY (SEE KIT 70-0431)	70-0431	6	33	CRANKSHAFT	46-1210	1
6	GUIDE	46-1205	3	34	CONNECTING ROD PIN	43-0118	3
7	O-RING	25-0160	3	35	O-RING	25-0014	1
8	BACKUP RING	25-0430	3	36	PLUG	39-0017	1
9	SPACER	46-1204	3	37	BOLT	27-8812	4
10	O-RING	25-0130	3	38	SIGHT GLASS	46-1163	1
11	BACKUP RING	25-0591	3	39	O-RING	25-0059	1
12	BOLT	27-8073	8	40	CRANKCASE COVER	46-1212	1
13	LOCKWASHER	29-0155	8	41	O-RING	25-0339	1
14	MANIFOLD	46-1218	1	42	BOLT	27-8435	6
15	WASHER	28-1038	1	43	LOCKWASHER	29-1014	1
16	PLUG	39-0019	1	44	CONNECTING ROD	46-1211	3
17	WASHER	28-1002	1	45	PLUNGER ROD	46-1213	3
18	PLUG	39-0018	2	46	SLINGER WASHER	46-1214	3
19	HIGH PRESSURE SEAL ASSEMBLY (SEE KIT 70-0435 & 70-0436)	SEE KIT	3	47	PLUNGER	46-1219	3
20	HIGH PRESSURE INTERMEDIATE SEAL RETAINER (SEE KIT 70-0435)	SEE KIT	3	48	O-RING	25-0310	3
21	LOW PRESSURE SEAL OD 26 X ID 10 X 5MM (SEE KIT 70-0435 & 70-0436)	SEE KIT	3	49	BOLT / PISTON	46-1216	3
22	O-RING (SEE KIT 70-0435)	25-0015	3	50	OIL DIP STICK	46-0144	1
23	LOW PRESSURE SEAL RETAINER (SEE KIT 70-0435)	SEE KIT	3	51	CRANKCASE	46-1209	1
24	OIL SEAL (SEE KIT 70-0432)	26-0047	3	52	CRANKCASE COVER	46-1208	1
25	BUSHING	9-0029	3	53	O-RING	25-0060	1
26	O-RING	25-0052	1	54	OIL LEVEL INDICATOR	46-0574	1
27	BOLT	27-8431	4	55	SIGHTGLASS COVER	46-1207	1
28	OIL SEAL	26-0049	1	56	BOLT	27-8433	4

REPLACEMENT KITS				
Mi-T-M KIT#	DESCRIPTION	ITEMS	# OF ASSEMBLIES	# OF CYLINDERS
70-0432	OIL SEAL KIT	24	3	3
70-0431	VALVE KIT	5	6	3
70-0436	LOW/HIGH PRESSURE SEALS	19, 21	3	3
70-0435	PACKING KIT	19-23	3	3

GENERATOR (850-0352)

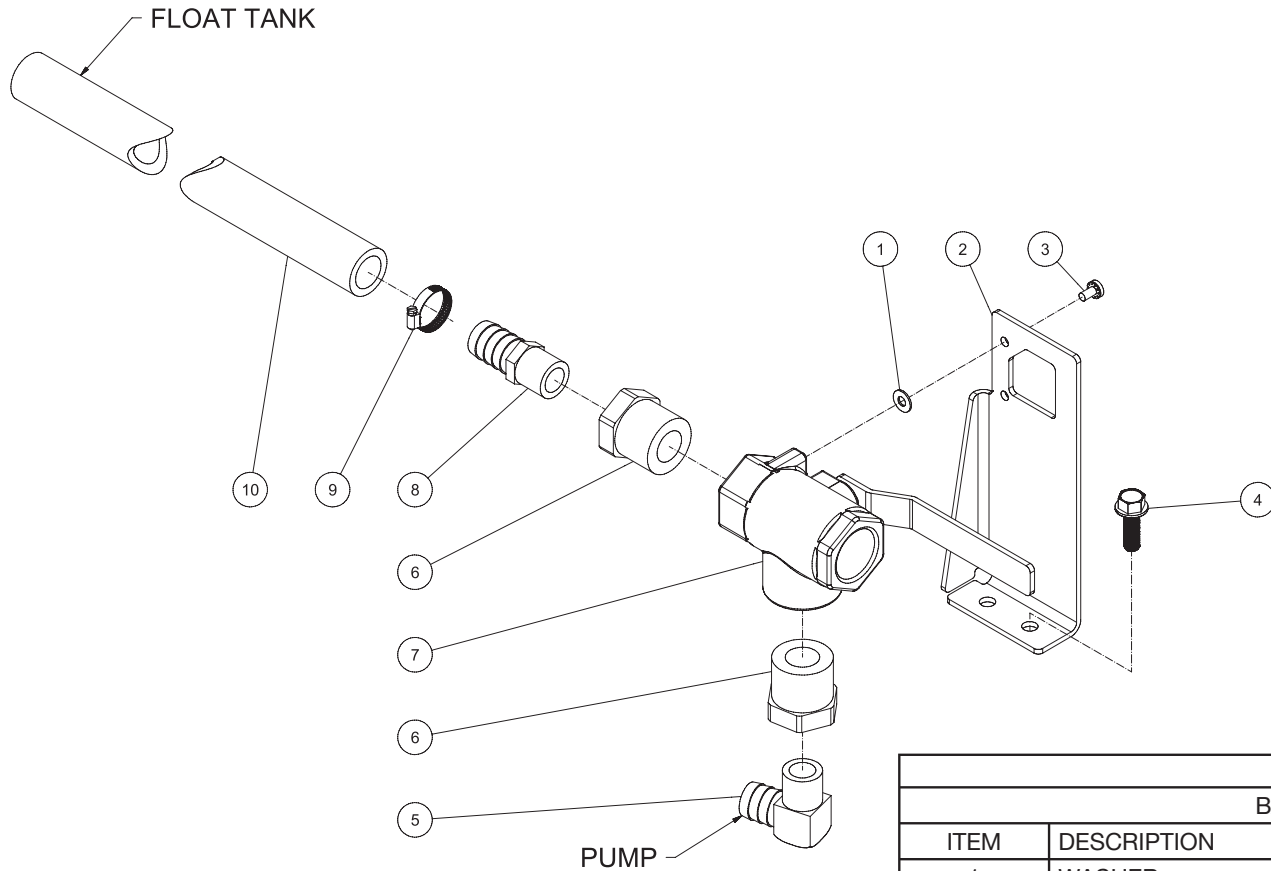


850-0352-070605-RZ

GENERATOR (850-0352)			
REF #	DESCRIPTION	PART #	QTY
1	Wire - White *(One Foot Required)	32-0452	1
2	Wire - Black *(One Foot Required)	32-0091	1
3	Connector- Male (See 32-0895)	N/A Sep.	1
4	Wire - Red *(One Foot Required)	32-0178	1
5	Wire - Yellow *(One Foot Required)	32-0853	1
6	Crimp Slice	32-0417	2
7	Terminal Ring	32-0099	1
8	Cord *(Six Feet Required)	32-0440	1
9	Bushing	9-0045	1
10	Screw	27-9593	2
11	Hex Nut	30-6001	2
12	Alternator Shaft Drive	32-0895	1
13	Key	43-0085	1
-	Capacitor	32-0913	1
	Generator (Includes 1-12)	850-0352	

850-0352-070605-RZ

BALL VALVE ASSEMBLY

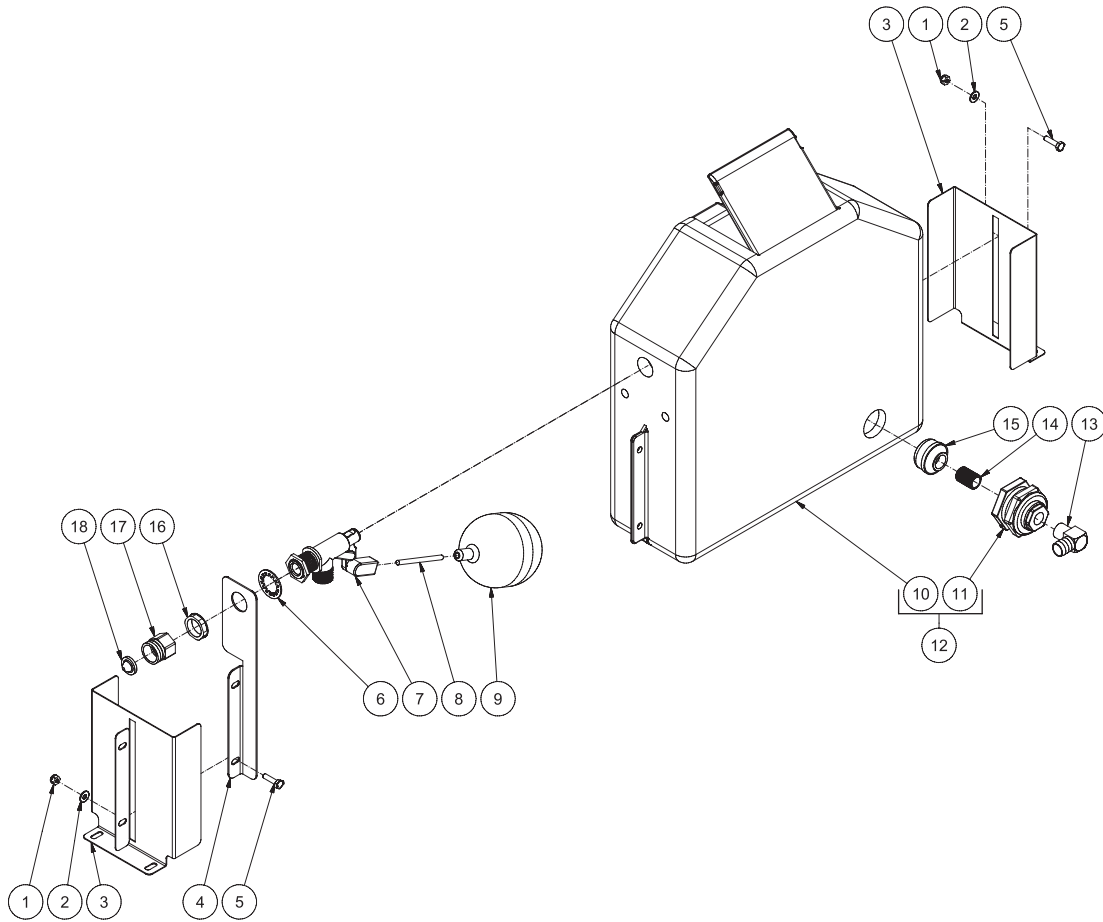


BALL VALVE ASSEMBLY 021317 CH			
BALL VALVE ASSEMBLY			
ITEM	DESCRIPTION	PART #	QTY
1	WASHER	28-0001	2
2	BRACKET	20-0560A01	1
3	SCREW	27-9533	2
4	BOLT	27-1201	2
5	ELBOW	23-0037	1
6	REDUCER	23-0226	2
7	BALL VALVE	22-0321	1
8	HOSE BARB	23-0036	1
9	HOSE CLAMP	42-0003	1
10	HOSE *(ONE FOOT REQUIRED)	15-0033	1
*MUST ORDER IN ONE FOOT LENGTHS			

BALL VALVE ASSEMBLY 021317 CH

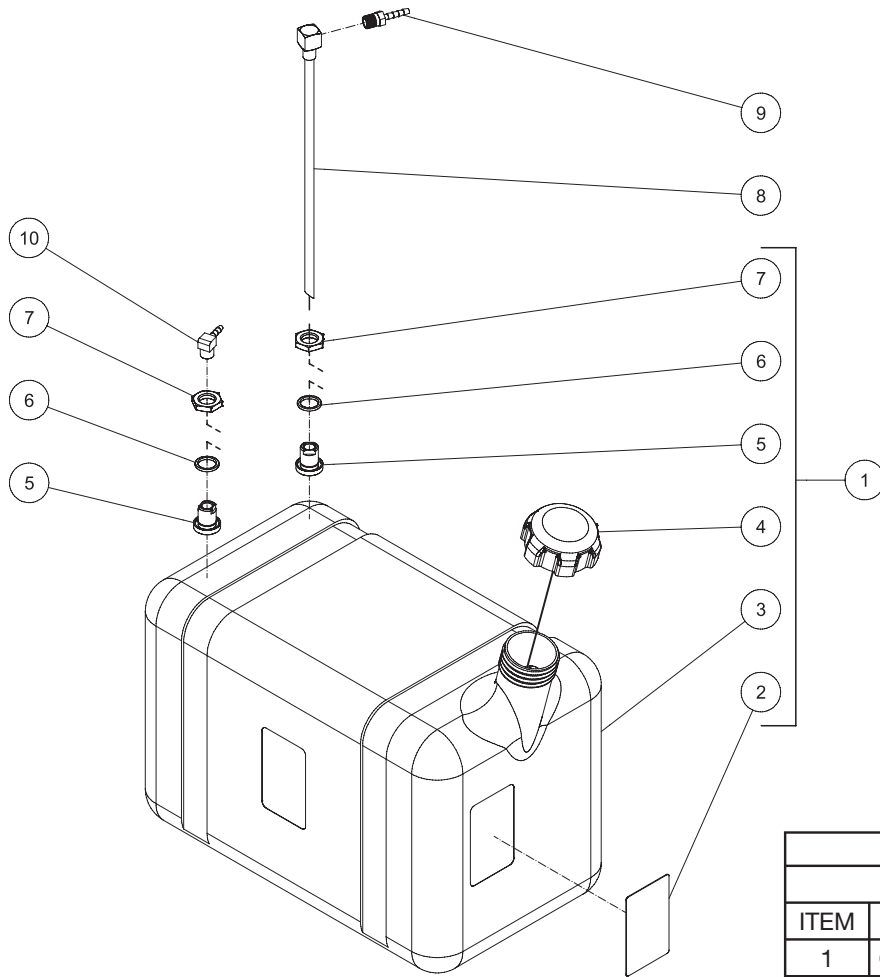
FLOAT TANK ASSEMBLY

HDS FLOAT TANK ASSY 082809-CH



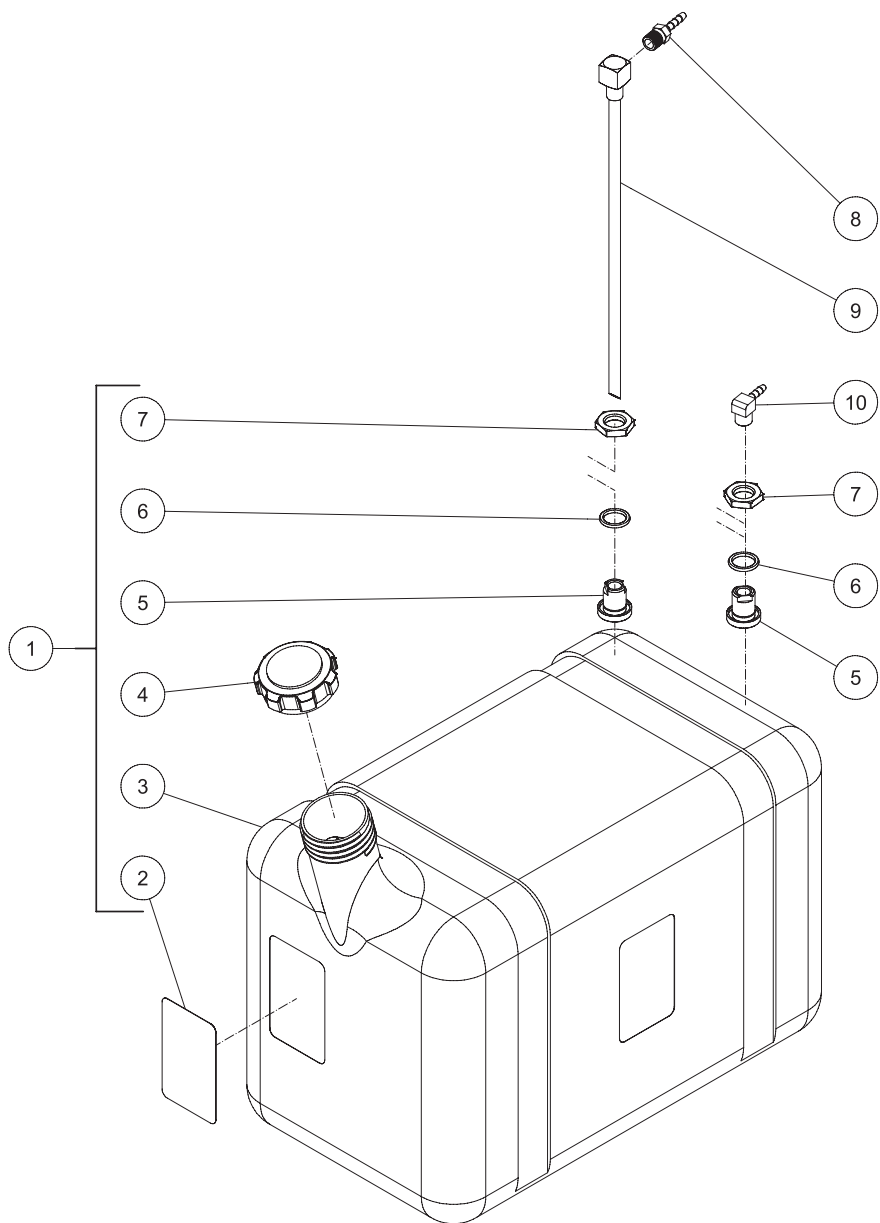
HDS FLOAT TANK ASSY 082809-CH			
FLOAT TANK ASSY			
ITEM	DESCRIPTION	PART #	QTY
1	LOCKNUT	30-0155	4
2	WASHER	28-0002	4
3	FLOAT TANK INLET BRACKET	20-0586A18	2
4	BRACKET	20-0912A18	1
5	BOLT	27-0016	4
6	LOCKWASHER	29-0074	1
7	FLOAT VALVE	22-0317	1
8	BALL FLOAT STUD	31-3320	1
9	FLOAT	22-0059	1
10	FLOAT TANK	N/A	1
11	BULKHEAD	55-0886	1
12	FLOAT TANK ASSEMBLY (INC. 10-11)	850-0322	1
13	ELBOW	23-0037	1
14	NIPPLE	23-0019	1
15	STRAINER	19-0203	1
16	LOCKNUT	23-0428	1
17	GARDEN HOSE INLET	23-0021	1
18	FILTER	19-0001	1

GAS TANK ASSEMBLY (850-0306)



HDS GAS TANK ASSY 051012 CH			
GAS TANK ASSEMBLY			
ITEM	DESCRIPTION	PART #	QTY
1	GAS TANK ASSY (INC 2-7)	850-0306	1
2	DECAL- CAUTION: GASOLINE ONLY (SEE 71-0034)	N/A	1
3	FUEL TANK - RED	N/A	1
4	FUEL CAP - SEALED/TETHERED	12-0220	1
5	BULKHEAD FITTING	23-0408	2
6	O-RING	25-0427	2
7	NUT	23-0409	2
8	FUEL PICK-UP	33-0352	1
9	BARB	23-0051	1
10	ELBOW	23-0054	1

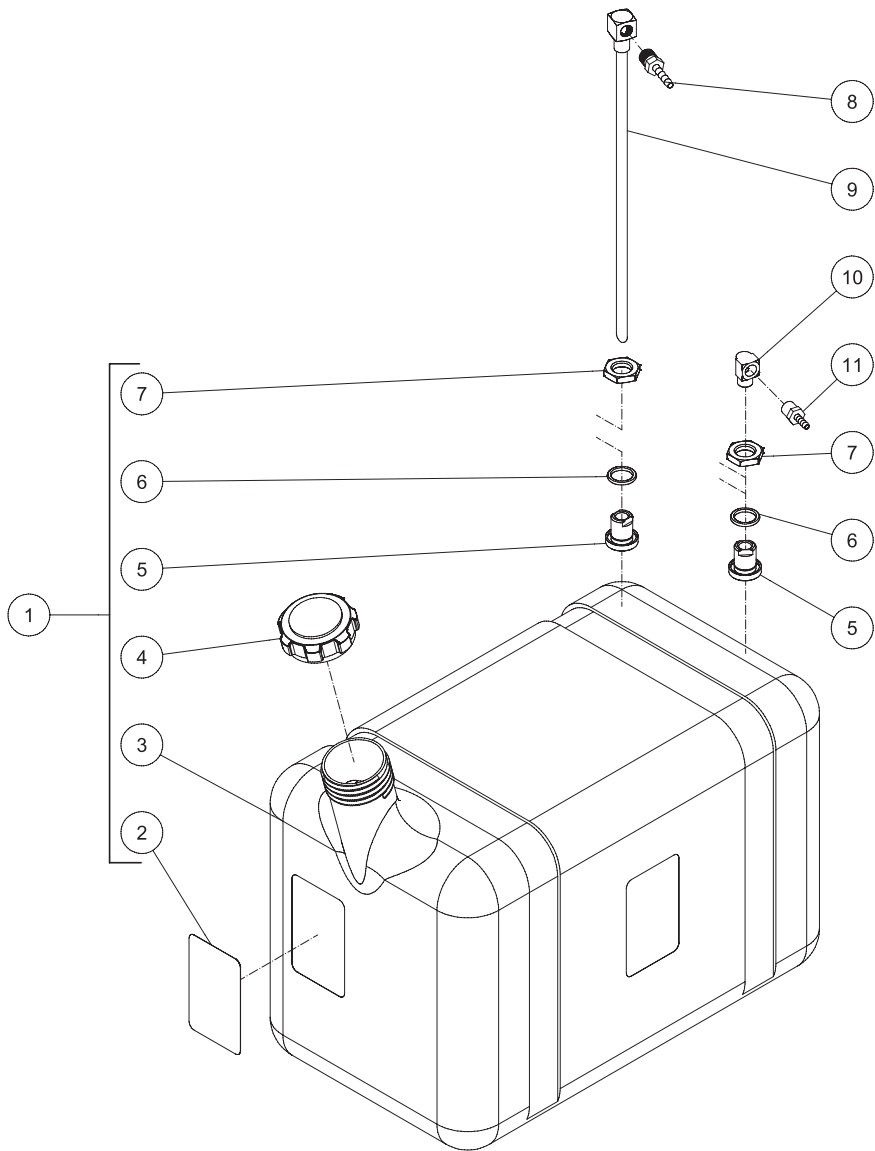
BURNER FUEL TANK (850-0307)



HDS BURNER FUEL TANK ASSY-021313-KMD			
BURNER FUEL TANK			
REF. #	DESCRIPTION	PART #	QTY.
1	Fuel Tank Assembly (Inc. 2-7)	850-0307	1
2	Decal- Caution: Risk of Fire	34-1034	1
3	Fuel Tank (See 850-0307)	N/A Sep.	1
4	Fuel Cap	12-0033	1
5	Bulkhead Fitting	23-0408	2
6	O-ring	25-0427	2
7	Nut	23-0409	2
8	Hose Barb	23-0051	1
9	Fuel Pickup	33-0352	1
10	Elbow	23-0054	1

HDS BURNER FUEL TANK ASSY-021313-KMD

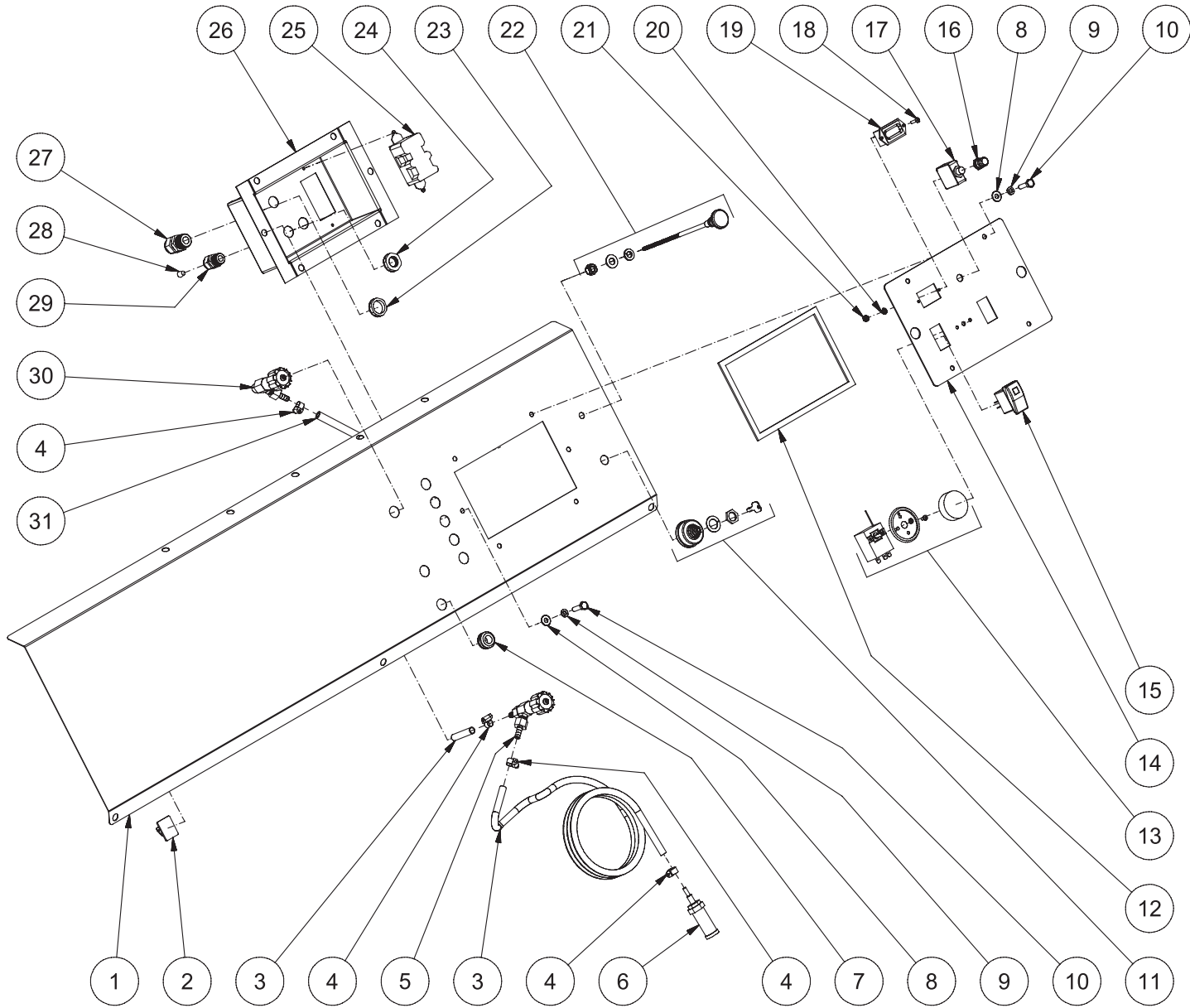
DIESEL FUEL TANK



HDS DIESEL FUEL TANK ASSY-031313-KMD			
DIESEL FUEL TANK			
REF. #	DESCRIPTION	PART #	QTY.
1	Fuel Tank Assembly (Inc. 2-7)	850-0307	1
2	Decal- Caution: Risk of Fire	34-1034	1
3	Fuel Tank (See 850-0307)	N/A Sep.	1
4	Fuel Cap	12-0033	1
5	Bulkhead Fitting	23-0408	2
6	O-ring	25-0427	2
7	Nut	23-0409	2
8	Hose Barb	23-0051	1
9	Fuel Pickup	33-0352	1
10	Elbow	23-0014	1
11	Hose Barb	23-0455	1

HDS DIESEL FUEL TANK ASSY-021313-KMD

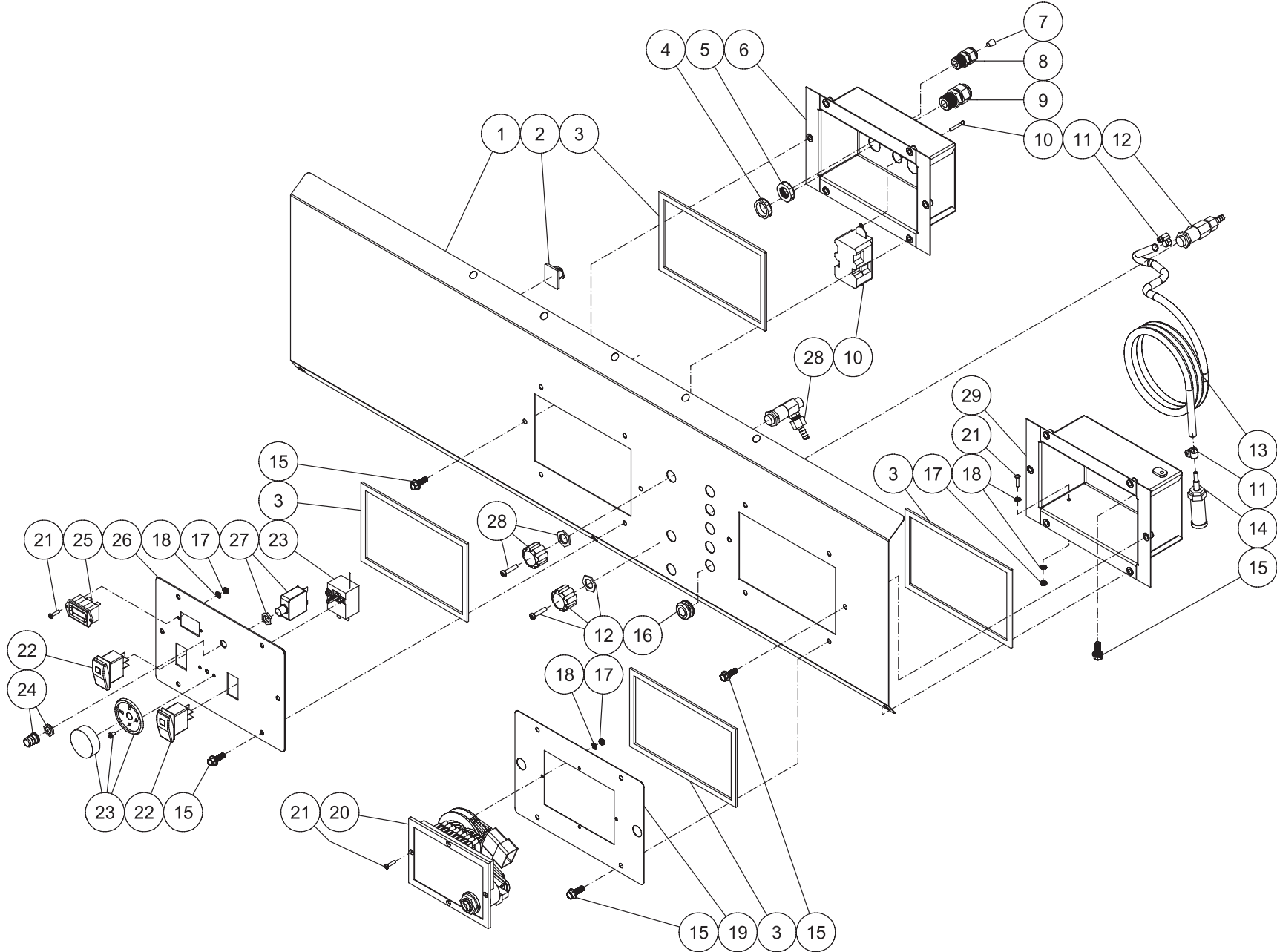
CONTROL PANEL



HDS CONTROL PANEL-082809-CH

CONTROL PANEL								
REF. #	DESCRIPTION	PART #	QTY.		REF. #	DESCRIPTION	PART #	QTY.
1	Stainless Steel Control Panel	21-0285	1		17	Circuit Breaker	32-0438	1
2	Wire Clip	33-0264	5		18	Screw	27-8881	2
3	Hose *(Six Feet Required)	15-0021	1		19	Digital Hourmeter	32-0668	1
4	Clamp	42-0004	4		20	Lockwasher	28-1009	2
5	Detergent Valve	22-0226	1		21	Locknut	30-0052	2
6	Detergent Strainer	19-0056	1		22	Cable Kill Lever	33-0081	1
7	Grommet	33-0001	6		23	Locknut	32-0108	2
8	Washer	28-0002	6		24	Locknut	32-0587	3
9	Lockwasher	29-0006	6		25	GFCI Outlet	32-0245	1
10	Bolt	27-0016	6		26	Electric Box	20-0582A18	1
11	Key Switch (See Engine Assembly)	N/A Sep.	1		27	Strain Relief	32-0437	2
12	Electric Box Gasket	26-0248	2		28	Strain Relief Plug	32-0708	1
13	Adjustable Thermostat	32-0962	1		29	Strain Relief	32-0586	3
14	Electric Box Panel	21-0144	1		30	Steam Valve	22-0329	1
15	Rocker Switch	32-0669	2		31	Fuel Hose	15-0008	1
16	Circuit Breaker Boot	32-0441	1		*Must Order in One Foot Lengths			

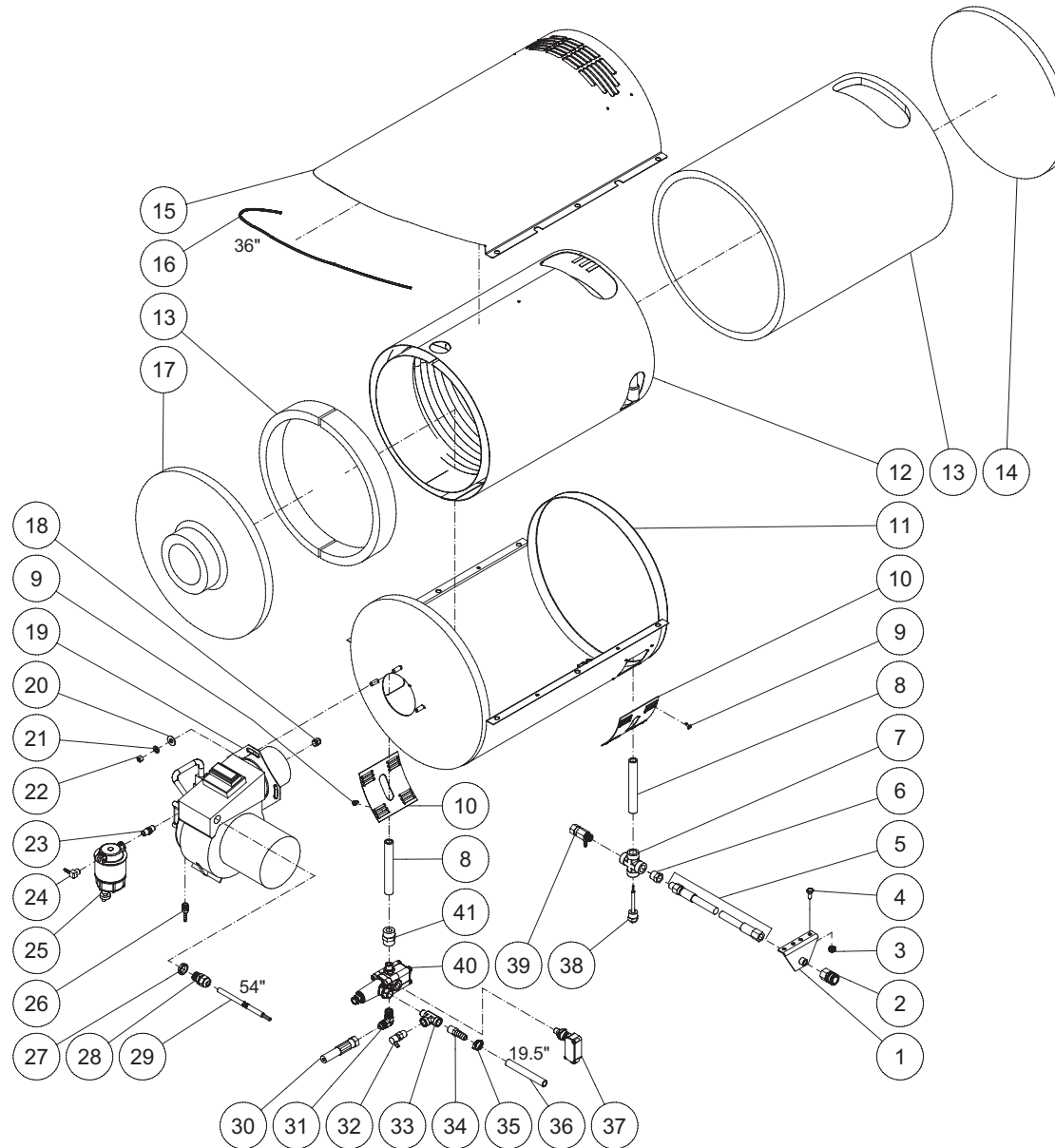
CONTROL PANEL (HDS-3006/3505/3008/4005-0B7G)



HDS KUBOTA CONTROL PANEL ASSY 021317 CH

CONTROL PANEL			
ITEM	DESCRIPTION	PART #	QTY
1	CONTROL PANEL	21-0286	1
2	WIRE CLIP	33-0264	4
3	GASKET	26-0248	4
4	ELECTRICAL LOCKNUT	32-0108	2
5	ELECTRICAL LOCKNUT	32-0587	3
6	ELECTRIC BOX	20-0582A18	1
7	STRAIN RELIEF PLUG	32-0708	3
8	STRAIN RELIEF	32-0586	3
9	STRAIN RELIEF	32-0437	2
10	GFCI OUTLET	32-0245	1
11	CLAMP WORM	42-0004	2
12	DETERGENT VALVE	22-0226	1
13	HOSE *(SIX FEET REQUIRED)	15-0021	1
14	STRAINER	19-0056	1
15	BOLT	27-1200	13
16	GROMMET	33-0001	6
17	NUT (3006/3505/4005)	30-0052	7
-	NUT (3008)	30-0052	3
18	STAR WASHER (3006/3505/4005)	28-1009	8
-	STAR WASHER (3008)	28-1009	4
19	ELECTRIC BOX PANEL (3006/3505/4005)	21-0227	1
-	ELECTRIC BOX PANEL (3008)	21-0308	1
20	ENGINE CONTROL PANEL Z602 (3006/3505/4005)	32-0970	1
-	SWITCH ONLY FOR 32-0970 (3006/3505/4005)	32-0991	1
-	ENGINE CONTROL PANEL D902 (3008)	32-1154	1
21	SCREW (3006/3505/4005)	27-8881	7
-	SCREW (3008)	27-8881	3
22	ROCKER SWITCH	32-0669	2
23	ADJUSTABLE THERMOSTAT	32-0962	1
24	CIRCUIT BREAKER BOOT	32-0441	1
25	HOUR METER	32-0668	1
26	ELECTRIC BOX PANEL	21-0144	1
27	CIRCUIT BREAKER	32-0438	1
28	STEAM VALVE (3006/3505/4005)	22-0329	1
29	ELECTRIC BOX	20-1412A18	1
*MUST ORDER IN ONE FOOT LENGTHS			

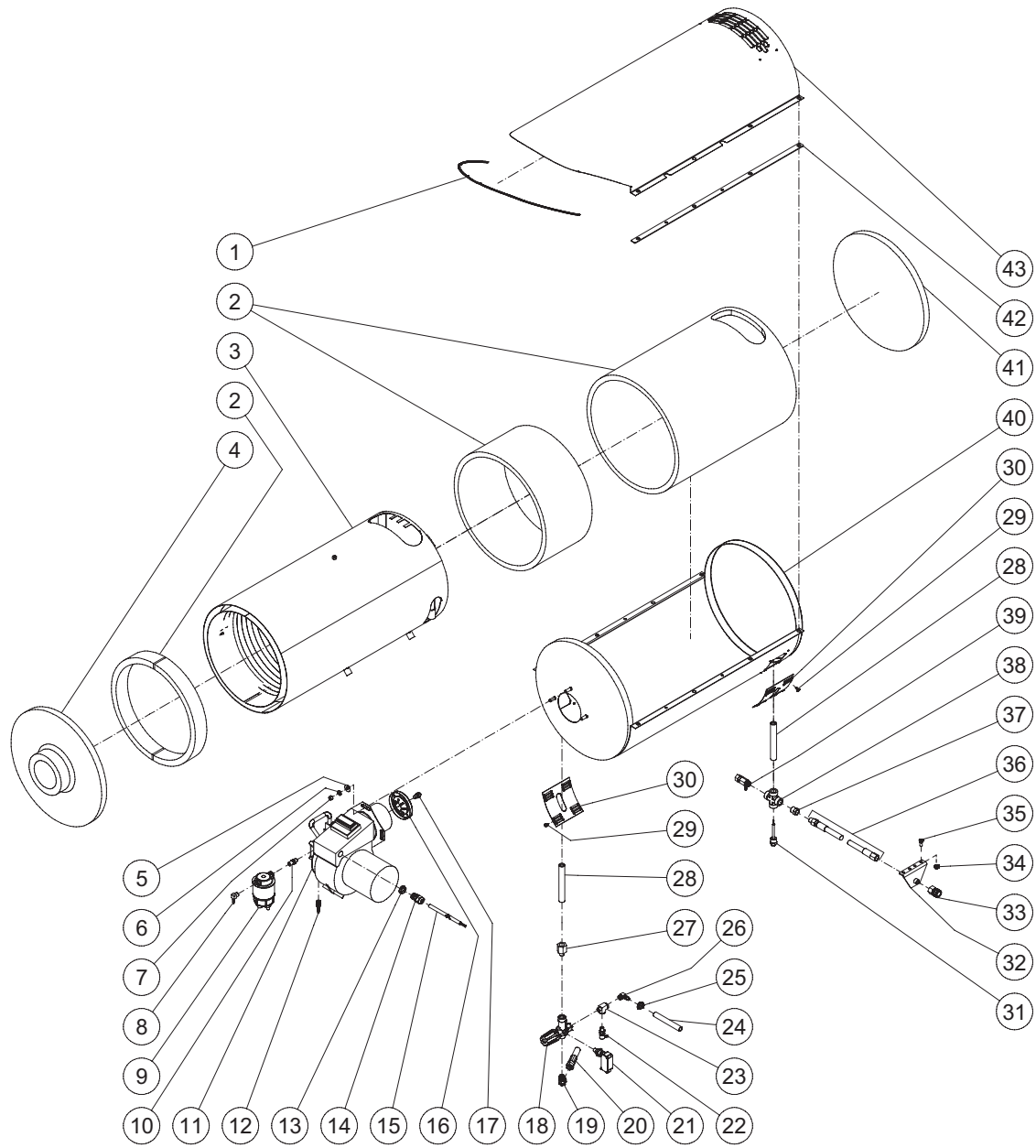
HEAT EXCHANGER ASSEMBLY FOR HDS-3005/3006/3505/3506 (AFTER SERIAL #15028656)



HDS 3005 3006 3505 3506 HEAT EXCHANGER ASSY 072517 JRC

HDS 3005 3006 3505 3506 HEAT EXCHANGER 072517 JRC			
HEAT EXCHANGER			
ITEM	DESCRIPTION	PART #	QTY
1	WATER OUTLET BRACKET	13-0199A18	1
2	QC SOCKET	17-0004	1
3	LOCKNUT	30-0157	2
4	BOLT	27-0066	2
5	HP HOSE	15-0202	1
6	REDUCER BUSHING	23-0016	1
7	CROSS	24-0241	1
8	PIPE NIPPLE	24-0254	2
9	BOLT	27-3062	8
10	PATCH PLATE	20-0537A18	2
11	BOTTOM WRAP	21-0145	1
12	COIL	66-0014	1
13	INSULATION BLANKET	850-0279	1
14	INSULATION DISC	33-0346	1
15	TOP WRAP	21-0129	1
16	EDGING *(THREE FEET REQUIRED)	33-0020	1
17	INSULATION DRUM HEAD	33-0345	1
18	FUEL NOZZLE	18-0361	1
19	BURNER	4-0017	1
20	WASHER	28-0023	3
21	LOCKWASHER	29-0008	3
22	NUT	30-0006	3
23	NIPPLE	24-0145	1
24	ELBOW	23-0054	1
25	FUEL FILTER / WATER SEPERATOR	19-0070	1
26	BARB	23-0051	1
27	ELECTRICAL LOCKNUT	32-0108	1
28	STRAIN RELIEF	32-0437	1
29	CORD *(FIVE FEET REQUIRED)	32-0247	1
30	HIGH PRESSURE HOSE ASSEMBLY	15-0221	1
31	ELBOW	24-0092	1
32	HEAT DUMP VALVE	22-0432	1
33	STREET TEE	23-0058	1
34	HOSE BARB	23-0105	1
35	HOSE CLAMP	42-0011	1
36	HOSE *(TWO FEET REQUIRED)	15-0007	1
37	PRESSURE SWITCH	22-0243	1
38	ADJUSTABLE THERMOSTAT	32-0962	1
39	SAFETY RELIEF VALVE	22-0309	1
40	UNLOADER (3005/3505)	8-0013	1
-	UNLOADER (3006/3506)	850-0304	1
41	ADAPTER	24-0243	1
*MUST ORDER IN ONE FOOT LENGTHS			

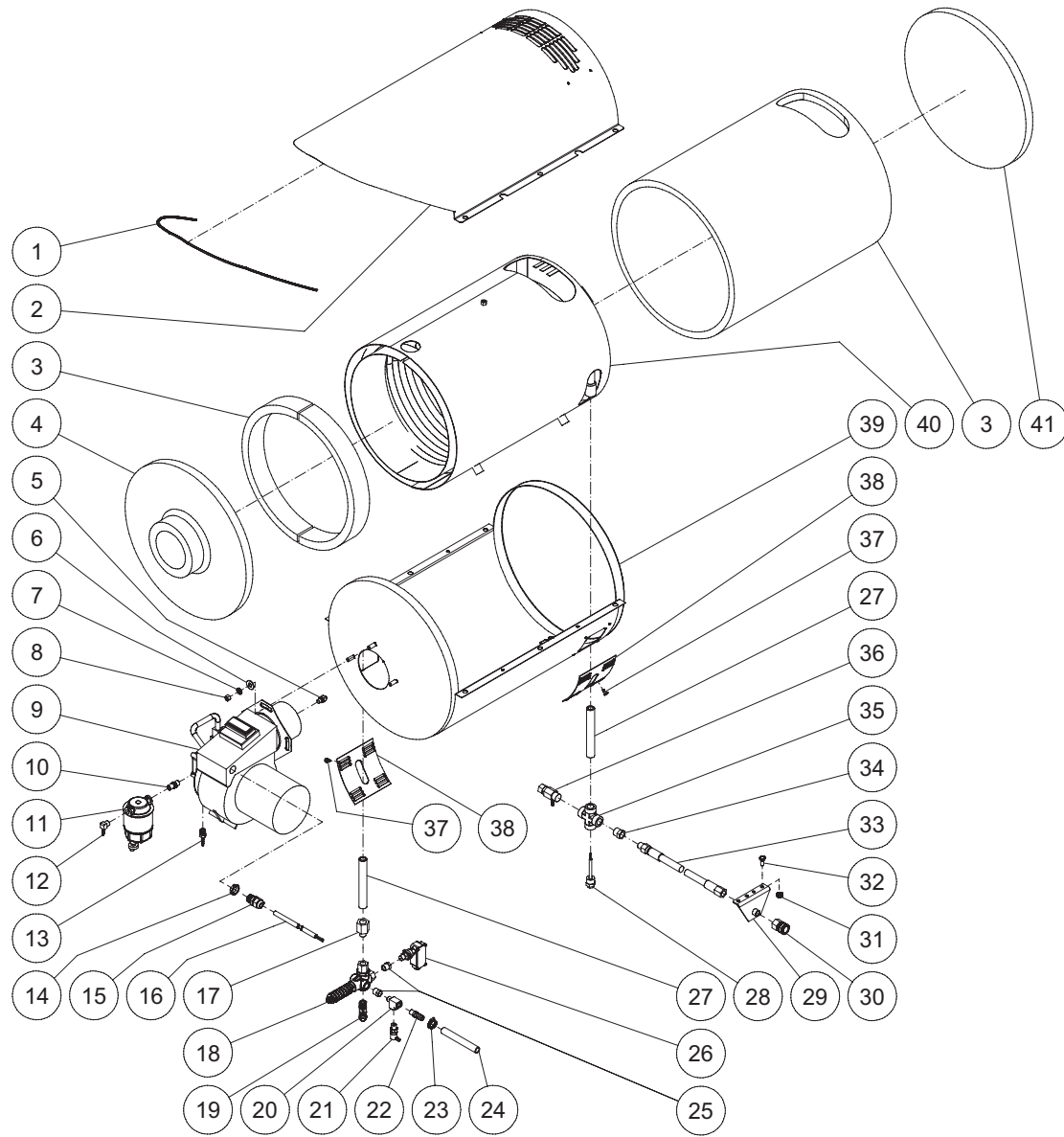
HEAT EXCHANGER ASSEMBLY FOR HDS-3008



HDS 3008 HEAT EXCHANGER ASSY 072517 JRC

HDS 3008 HEAT EXCHANGER ASSY 072517 JRC			
HEAT EXCHANGER			
ITEM	DESCRIPTION	PART #	QTY
1	EDGING *(THREE FEET REQUIRED)	33-0020	1
2	INSULATION BLANKET	850-0360	1
3	COIL	66-0021	1
4	INSULATION DRUM HEAD	33-0345	1
5	WASHER	28-0023	3
6	LOCKWASHER	29-0008	3
7	NUT	30-0006	3
8	ELBOW	23-0054	1
9	FUEL FILTER / WATER SEPERATOR	19-0070	1
10	NIPPLE	24-0145	1
11	BURNER	4-0017	1
12	BARB	23-0051	1
13	ELECTRICAL LOCKNUT	32-0108	1
14	STRAIN RELIEF	32-0437	1
15	CORD *(FIVE FEET REQUIRED)	32-0247	1
16	COMBUSTION HEAD	44-0162	1
17	FUEL NOZZLE	18-0175	1
18	UNLOADER	850-0252	1
19	ELBOW	24-0092	1
20	HIGH PRESSURE HOSE ASSEMBLY	15-0221	1
21	PRESSURE SWITCH	22-0243	1
22	HEAT DUMP VALVE	22-0408	1
23	TEE	23-0127	1
24	HOSE *(TWO FEET REQUIRED)	15-0007	1
25	HOSE CLAMP	42-0011	1
26	ELBOW	23-0119	1
27	REDUCER	24-0048	1
28	PIPE NIPPLE	24-0254	2
29	BOLT	27-3062	8
30	PATCH PLATE	20-0537A18	2
31	ADJUSTABLE THERMOSTAT	32-0962	1
32	WATER OUTLET BRACKET	13-0199A18	1
33	QC SOCKET	17-0004	1
34	LOCKNUT	30-0157	2
35	BOLT	27-0066	2
36	HP HOSE	15-0202	1
37	REDUCER BUSHING	23-0016	1
38	CROSS	24-0241	1
39	SAFETY RELIEF VALVE	22-0309	1
40	BOTTOM WRAP	21-0233	1
41	INSULATION DISC	33-0346	1
42	SHIM	21-0264	2
43	TOP WRAP	21-0232	1
*MUST OREDER IN ONE FOOT LENGTHS			

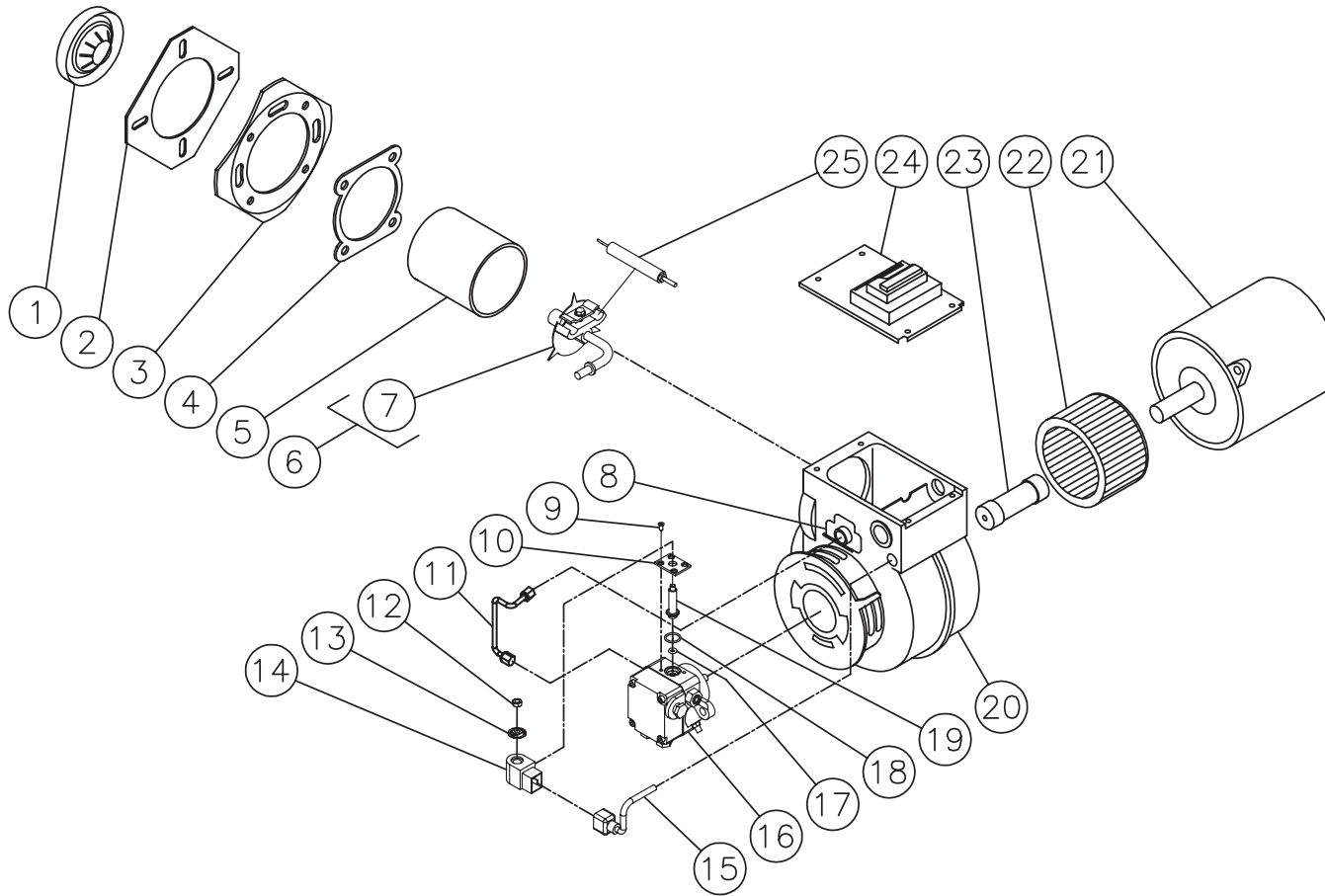
HEAT EXCHANGER ASSEMBLY FOR HDS-4005 (AFTER SERIAL #15100089)



HDS 4005 HEAT EXCHANGER ASSY 072517 JRC

HDS 4005 HEAT EXCHANGER 072517 JRC			
HEAT EXCHANGER			
ITEM	DESCRIPTION	PART #	QTY
1	EDGING *(THREE FEET REQUIRED)	33-0020	1
2	TOP WRAP	21-0129	1
3	INSULATION BLANKET	850-0279	1
4	INSULATION DRUM HEAD	33-0345	1
5	FUEL NOZZLE	18-0361	1
6	WASHER	28-0023	3
7	LOCKWASHER	29-0008	3
8	NUT	30-0006	3
9	BURNER	4-0017	1
10	NIPPLE	24-0145	1
11	FUEL FILTER / WATER SEPERATOR	19-0070	1
12	ELBOW	23-0054	1
13	BARB	23-0051	1
14	ELECTRICAL LOCKNUT	32-0108	1
15	STRAIN RELIEF	32-0437	1
16	CORD *(FIVE FEET REQUIRED)	32-0247	1
17	REDUCER	24-0048	1
18	UNLOADER	8-0634	1
19	ELBOW	24-0092	1
20	TEE	23-0127	1
21	HEAT DUMP VALVE	22-0408	1
22	HOSE BARB	23-0120	1
23	HOSE CLAMP	42-0011	1
24	HOSE *(TWO FEET REQUIRED)	15-0007	1
25	REDUCER	23-0017	2
26	PRESSURE SWITCH	22-0243	1
27	PIPE NIPPLE	24-0254	2
28	ADJUSTABLE THERMOSTAT	32-0962	1
29	WATER OUTLET BRACKET	13-0199A18	1
30	QC SOCKET	17-0004	1
31	LOCKNUT	30-0157	2
32	BOLT	27-0066	2
33	HP HOSE	15-0202	1
34	REDUCER BUSHING	23-0016	1
35	CROSS	24-0241	1
36	SAFETY RELEIF VALVE	22-0434	1
37	BOLT	27-3062	8
38	PATCH PLATE	20-0537A18	2
39	BOTTOM WRAP	21-0145	1
40	COIL	66-0014	1
41	INSULATION DISC	33-0346	1
*MUST ORDER IN ONE FOOT LENGTHS			

BURNER ASSEMBLY (4-0017) (AFTER SERIAL #15008085)



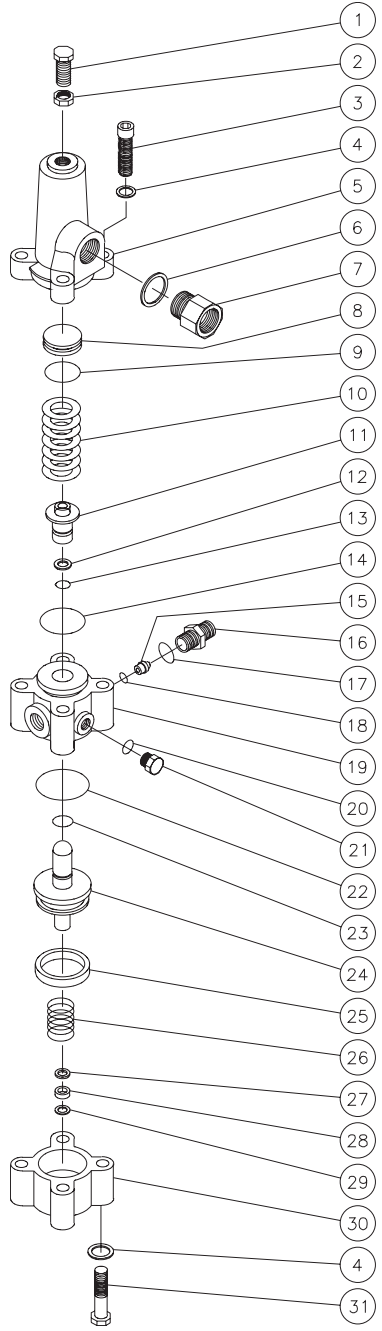
4-0017_4-0018 081413 ALC

4-0017_4-0018-081413 ALC

BURNER ASSEMBLY (4-0017 AFTER SERIAL #15008085 & 4-0018 AFTER SERIAL #15008463)

REF.	DESCRIPTION	PART #	QTY.	REF.	DESCRIPTION	PART #	QTY.
1	BURNER HEAD	44-0011	1	16	FUEL PUMP	3-0236	1
2	MOUNTING GASKET	44-0108	1	17	O-RING	N/A	1
3	FLANGE	44-0109	1	18	O-RING	N/A	1
4	GASKET	26-0138	1	19	SOLENOID PISTON	46-1343	1
5	AIR TUBE	44-0110	1	20	BURNER HOUSING	44-0033	1
6	NOZZLE LINE ASSEMBLY	44-0113	1	21	MOTOR (4-0017)	2-0068	1
7	ELECTRODE KIT	44-0114	1	-	MOTOR (4-0018)	2-0067	1
8	ESCUTCHEON PLATE	44-0031	1	22	BLOWER WHEEL	44-0071	1
9	SCREW	N/A	1	23	COUPLER	44-0014	1
10	BASE PLATE	46-1004	1	24	IGNITION TRANSFORMER (4-0017)	44-0017	1
11	FUEL LINE	44-0026	1	-	IGNITION TRANSFORMER (4-0018)	44-0015	1
12	PISTON NUT	46-1016	1	25	ELECTRODE	44-0114	2
13	SPRING WASHER	N/A	1		COMPLETE BURNER (INCLUDES 1-17)	4-0017	
14	FUEL SOLENOID	46-1020	1		COMPLETE BURNER (INCLUDES 1-17)	4-0018	
15	CORD SET	44-0122	1				

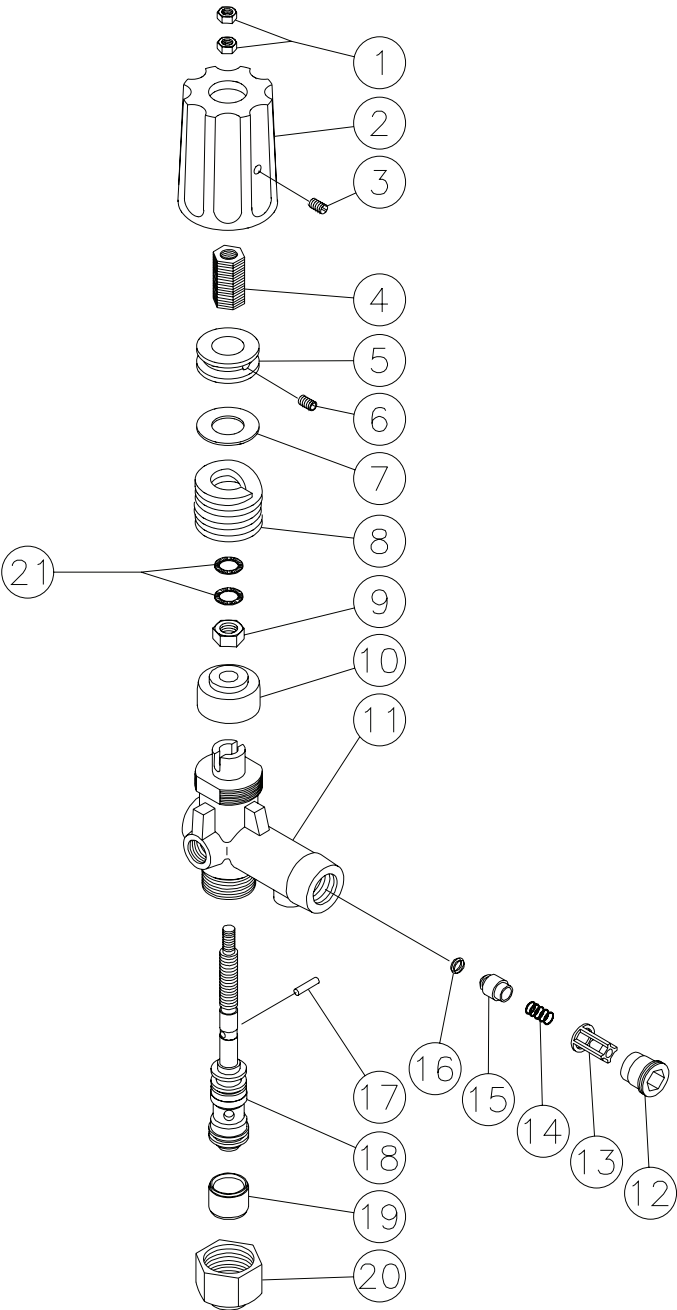
UNLOADER ASSEMBLY (850-0304)



OMGEN066-081303-KZ

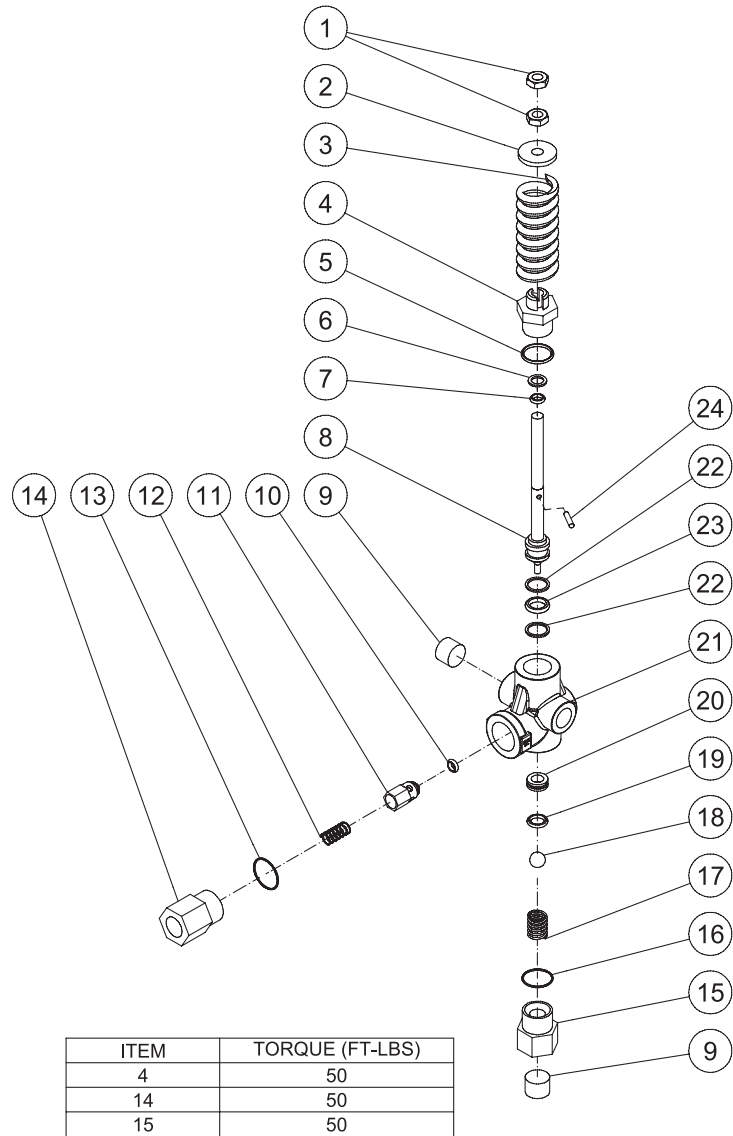
UNLOADER ASSEMBLY (850-0304)							
REF. #	DESCRIPTION	PART #	QTY.	REF. #	DESCRIPTION	PART #	QTY.
1	Bolt	27-8077	1	18	O-ring	25-0119	1
2	Hex Nut	30-3010	1	19	Middle Body	8-0137	1
3	Bolt	27-8434	4	20	O-ring	25-0114	2
4	Lockwasher	29-0154	8	21	Hex Plug	39-0017	2
5	Upper Body	8-0138	1	22	O-ring	25-0056	1
6	Washer	8-0277	1	23	O-ring	25-0120	1
7	By-Pass Restrictor	8-0124	1	24	Piston Assembly	8-0136	1
8	Spring Guide	8-0135	1	25	Seal	26-0104	1
9	O-ring	25-0118	1	26	Spring	49-0027	1
10	Spring	49-0026	1	27	Washer	8-0139	1
11	Valve Seat	8-0145	1	28	Seal	26-0105	1
12	Back-up Ring	8-0141	1	29	Back-up Ring	8-0140	1
13	O-ring	25-0121	1	30	Lower Body	8-0134	1
14	O-ring	25-0117	1	31	Bolt	27-8037	4
15	Flow Balancer (8-0012)	8-0126	1		Unloader Repair Kit (Inc. 9, 11, 13, 14, 17, 18, 20, 22-26, 28, 29)	70-0013	
-	Flow Balancer (8-0013)	8-0128	1		Unloader Orifice Kit (Inc. 1 each of 7, 15, 16)	852-0014	
-	Flow Balancer (8-0014, 850-0304)	8-0127	1		Unloader Orifice Kit (Inc. 1 each of 7, 15, 16)	852-0015	
16	Nipple(8-0014, 850-0304)	8-0131	1		Unloader Orifice Kit (Inc. 1 each of 7, 15, 16)	852-0017	
-	Nipple (8-0012, 8-0013)	8-0130	1		Unloader Orifice Kit (Inc. 1 each of 7, 15, 16)	852-0157	
17	O-ring	25-0052	1				

UNLOADER ASSEMBLY (850-0252)



UNLOADER (850-0252)			
REF. #	DESCRIPTION	PART #	QTY.
1	Hex Nut	8-0362	2
2	Cover	7-0098	1
3	Set Screw	27-4280	1
4	Adjusting Insert- Brass	8-0363	1
5	Adjustment Nut	8-0364	1
6	Set Screw	8-0365	1
7	Glide Ring	8-0366	1
8	Spring	49-0104	1
9	Hex Nut	8-0367	1
10	Bushing	8-0368	1
11	Unloader Body	8-0369	1
12	Retainer	8-0269	1
13	Valve Housing	8-0104	1
14	Spring	49-0023	1
15	Valve	8-0105	1
16	O-ring	25-0036	1
17	Cylinder Pin	8-0372	1
18	Piston Repair Kit	70-0243	1
19	Spacer	8-0371	1
20	Stop Nut	8-0157	1
21	Washer	29-0154	2
	Check Valve Repair Kit (Includes 13-16)	70-0244	
	Unloader Complete	850-0252	

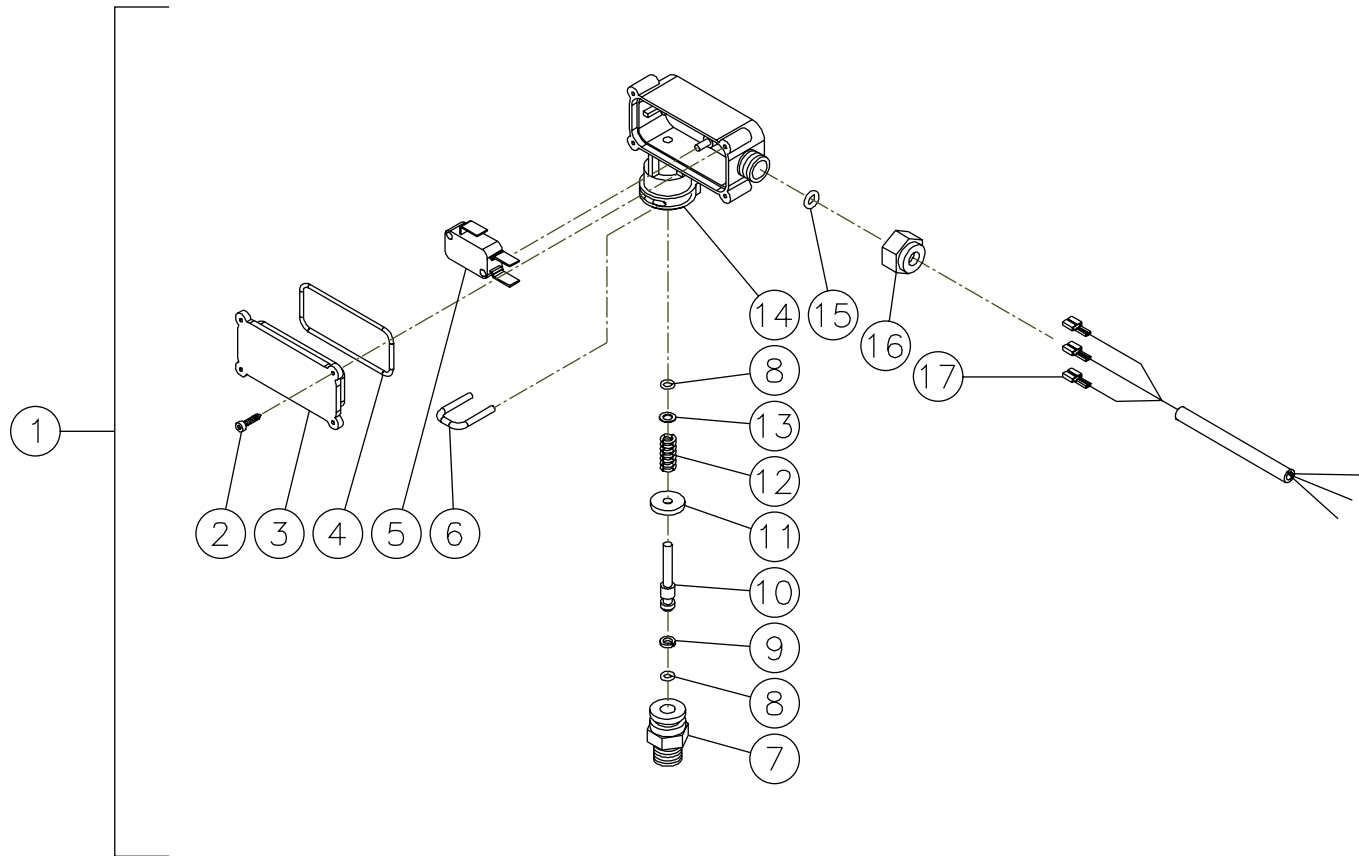
UNLOADER ASSEMBLY (8-0634)



8-0634 052213 JDK			
UNLOADER ASSEMBLY			
ITEM	DESCRIPTION	PART #	QTY
1	NUT	8-0293	2
2	SPRING SPACER	46-1527	1
3	SPRING	49-0171	1
4	FITTING	46-1529	1
5	O-RING (SEE KIT 70-0625)	SEE KIT	1
6	O-RING (SEE KIT 70-0625)	SEE KIT	1
7	O-RING (SEE KIT 70-0625)	SEE KIT	1
8	STEM	46-1530	1
9	PLUG	23-0244	2
10	O-RING (SEE KIT 70-0624)	SEE KIT	1
11	POPPET (SEE KIT 70-0624)	SEE KIT	1
12	SPRING (SEE KIT 70-0624)	SEE KIT	1
13	O-RING	25-0672	1
14	OUTLET FITTING	46-1531	1
15	INLET FITTING (SEE KIT 70-0625)	SEE KIT	1
16	O-RING (SEE KIT 70-0625)	SEE KIT	1
17	SPRING	49-0172	1
18	BALL (SEE KIT 70-0625)	SEE KIT	1
19	O-RING (SEE KIT 70-0625)	SEE KIT	1
20	SEAT	46-1532	1
21	FORGING	46-1533	1
22	BACKUP RING (SEE KIT 70-0625)	SEE KIT	2
23	O-RING (SEE KIT 70-0625)	SEE KIT	1
24	PIN (SEE KIT 70-0625)	SEE KIT	1

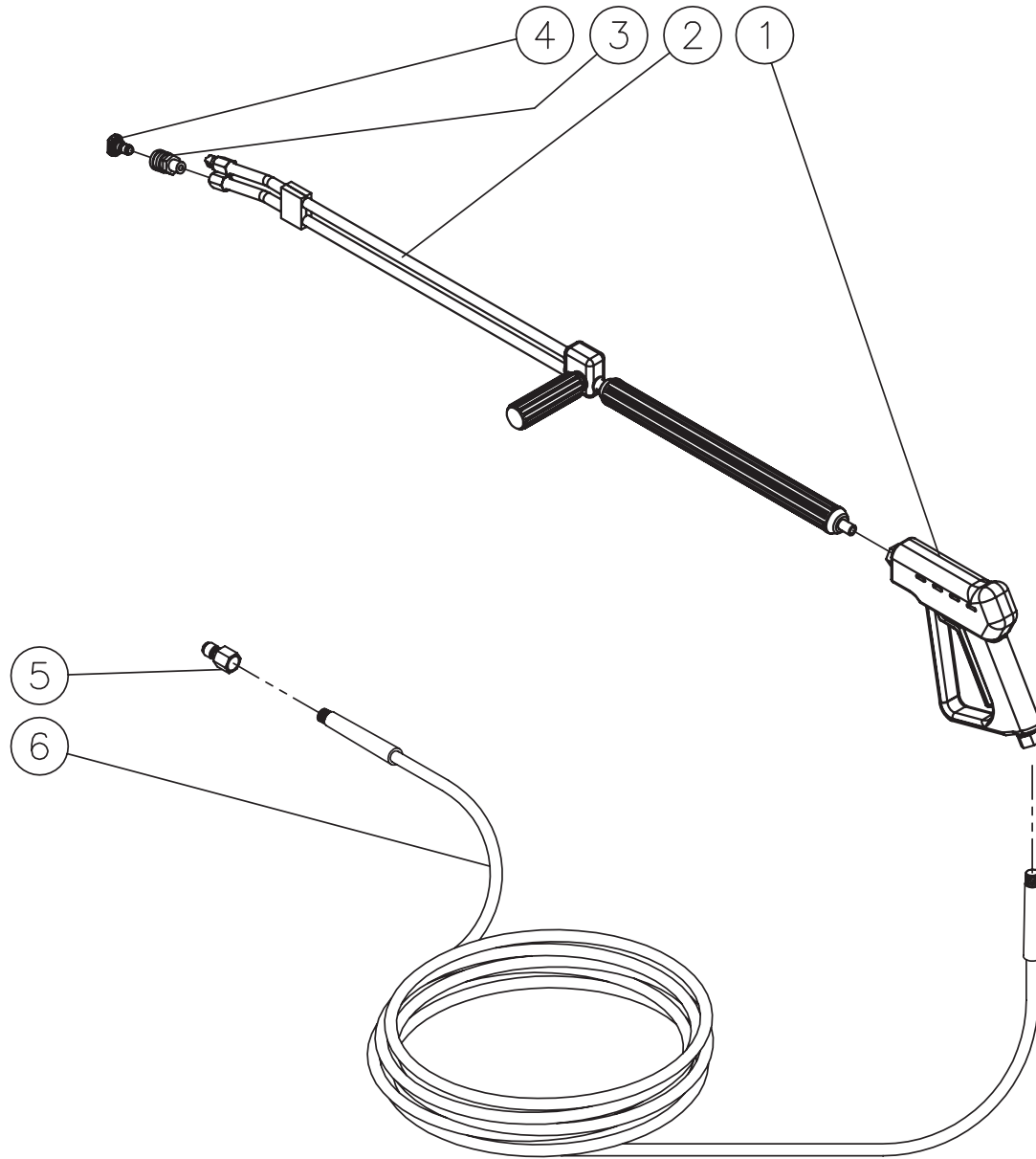
REPLACEMENT KITS			
KIT #	DESCRIPTION	ITEMS	QTY
70-0624	KIT - CHECK VALVE	10-12	1, 1, 1
70-0625	KIT - UNLOADER REBUILD	5-7, 15-16, 18-19, 22-24	1, 1, 1, 1, 1, 1, 1, 2, 1, 1

PRESSURE SWITCH (22-0243)



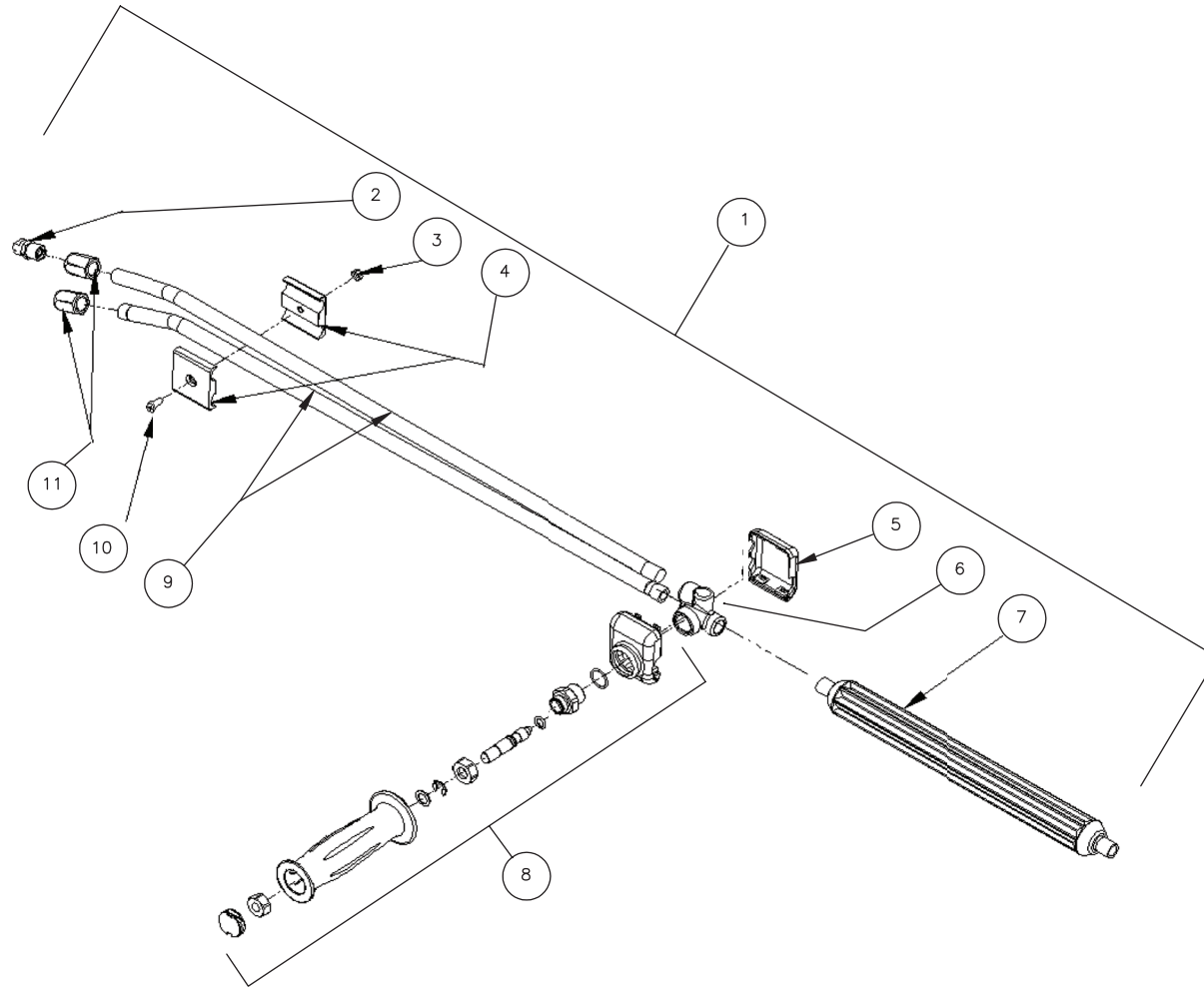
PRESSURE SWITCH (22-0243)			
REF. #	DESCRIPTION	PART #	QTY.
1	Pressure Switch	22-0243	1
2	Screw	N/A	4
3	Cover	N/A	1
4	O-ring (See 70-0306)	N/A Sep.	1
5	Micro Switch	N/A	1
6	Retainer Clip	N/A	1
7	Body	N/A	1
8	O-ring (See 70-0306)	N/A Sep.	2
9	Back-up Ring (See 70-0306)	N/A Sep.	1
10	Piston	N/A	1
11	Washer	N/A	1
12	Spring	49-0145	1
13	Washer	N/A	1
14	Plastic Housing	N/A	1
15	O-ring (See 70-0306)	N/A Sep.	1
16	Nut	N/A	1
17	Wire Assembly	N/A	1
	O-ring Repair Kit (Inc. 4, 8, 9, 15)	70-0306	

GUN/WAND/HOSE ASSEMBLY (AFTER SERIAL #15023975)



HDS GUN WAND ASSEMBLY 022117 CH			
GUN/WAND/HOSE ASSEMBLY (AFTER SERIAL #15023975)			
REF. #	DESCRIPTION	PART #	QTY.
1	Gun Assembly	16-0446	1
2	Dual Lance	16-0417	1
3	Quick Connect Socket	17-0028	1
-	Quick Connect Socket (HDS-3008)	17-0017	4
-	Quick Connect Socket (HDS-3006)	17-0017	3
4	Nozzle- 2503.5 (HDS-4005, HDS-4005-0B7G)	18-0395	1
-	Nozzle- 0004.5 (HDS-4005-0B7G)	18-0402	1
-	Nozzle- 1504.5 (HDS-4005-0B7G)	18-0403	1
-	Nozzle- 4004.5 (HDS-4005-0B7G)	18-0405	1
-	Nozzle- 0005 (HDS-3505, HDS-4005)	18-0406	1
-	Nozzle- 1505 (HDS-3505, HDS-4005)	18-0407	1
-	Nozzle- 2505 (HDS-3005/3505)	18-0408	1
-	Nozzle- 4005 (HDS-3505, HDS-4005)	18-0409	1
-	Nozzle- 0005.5 (HDS-3005)	18-0410	1
-	Nozzle- 1505.5 (HDS-3005)	18-0411	1
-	Nozzle- 2505.5 (HDS-3506)	18-0412	1
-	Nozzle- 4005.5 (HDS-3005)	18-0413	1
-	Nozzle- 0006 (HDS-3506)	18-0414	1
-	Nozzle- 1506 (HDS-3506)	18-0415	1
-	Nozzle- 4006 (HDS-3506)	18-0417	1
-	Nozzle- 0006.5 (HDS-3006)	18-0328	1
-	Nozzle- 1506.5 (HDS-3006)	18-0329	1
-	Nozzle- 2506 (HDS-3006)	18-0416	1
-	Nozzle- 4006.5 (HDS-3006)	18-0331	1
-	Nozzle- 1509 (HDS-3008)	18-0147	1
-	Nozzle- 0009 (HDS-3008)	18-0172	1
-	Nozzle- 2509 (HDS-3008)	18-0173	1
-	Nozzle- 4009 (HDS-3008)	18-0174	1
5	Quick Connect Socket	17-0006	1
6	High Pressure Hose Assembly	15-0166	1
-	High Pressure Hose Assembly (HDS-3008)	15-0056	1

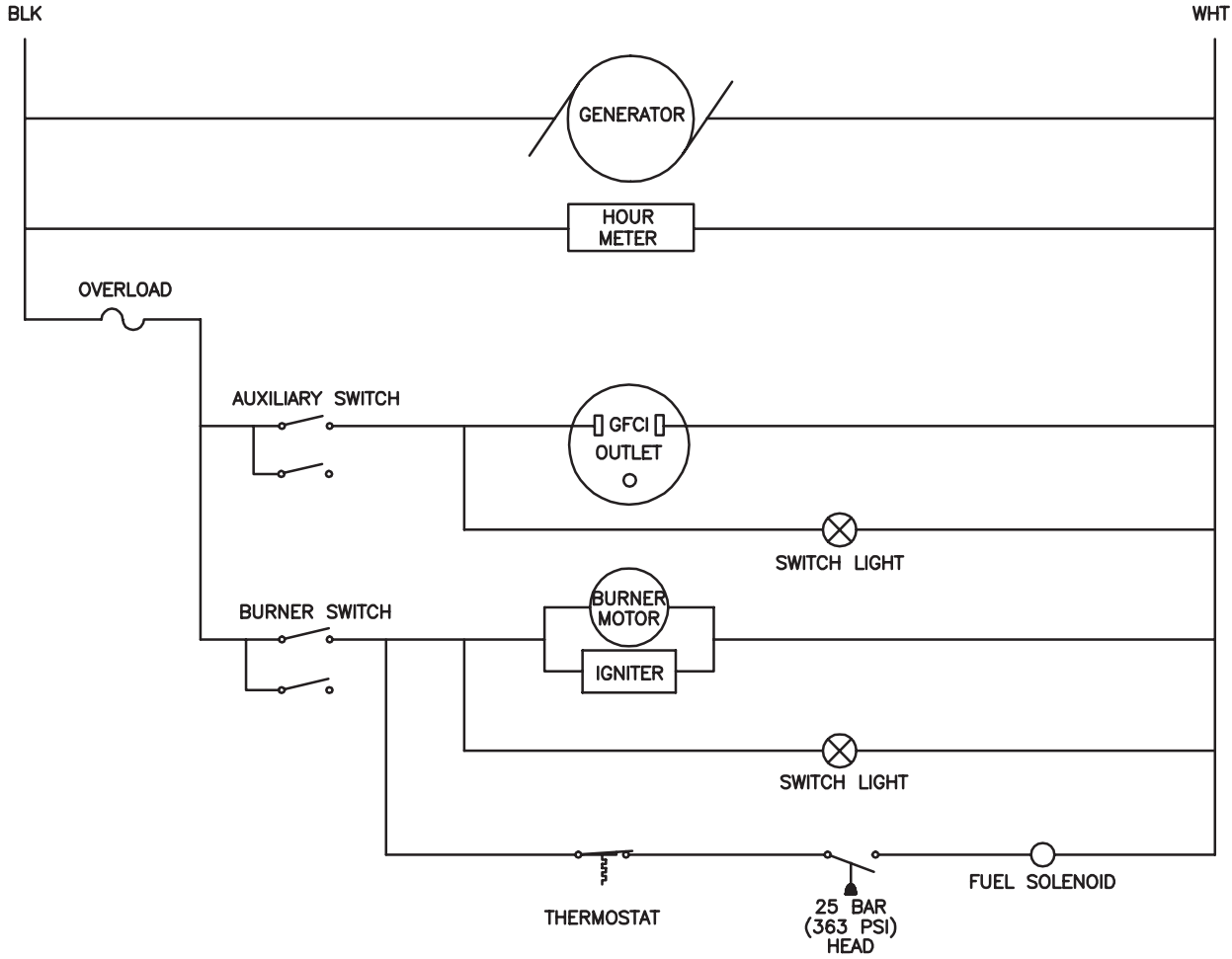
DUAL LANCE ASSEMBLY (16-0417)



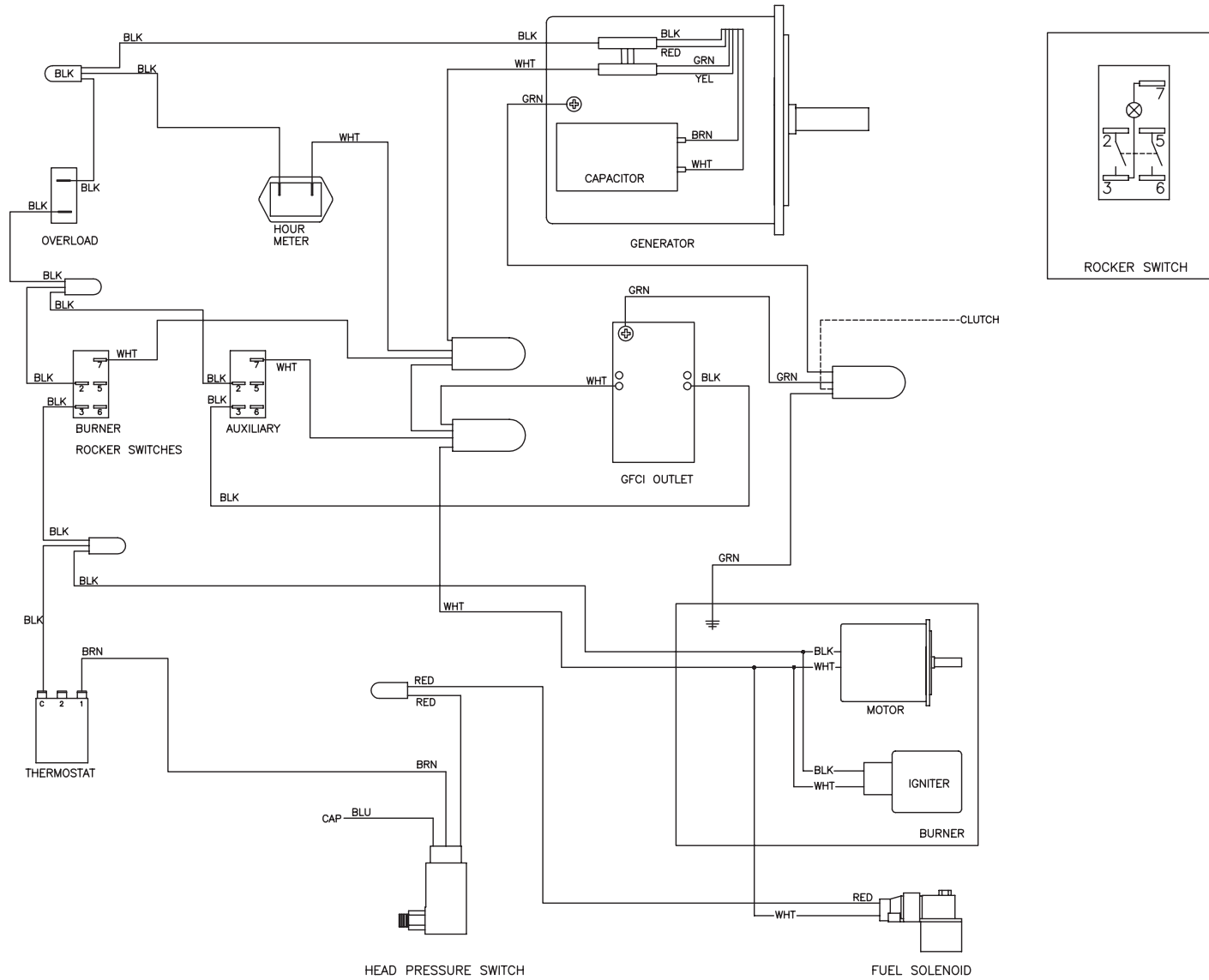
16-0416_16-0417-102405-RZ

DUAL LANCE ASSEMBLY (16-0417)			
REF. #	DESCRIPTION	PART #	QTY.
1	Dual Lance Assembly - 48" (Inc. 2-11)	16-0417	1
2	Detergent Nozzle	18-0110	1
3	Nut	30-6001	1
4	Clamp	16-0420	2
5	Lower Valve Cover (See 16-0417)	N/A Sep.	1
6	Housing (See 16-0417)	N/A Sep.	1
7	Lance	16-0419	1
8	Handle Repair Kit	70-0419	1
9	Lance (See 16-0417)	N/A Sep.	2
10	Screw	27-8196	1
11	Nozzle Adapter	24-0280	2

WIRING SCHEMATIC



WIRING DIAGRAM

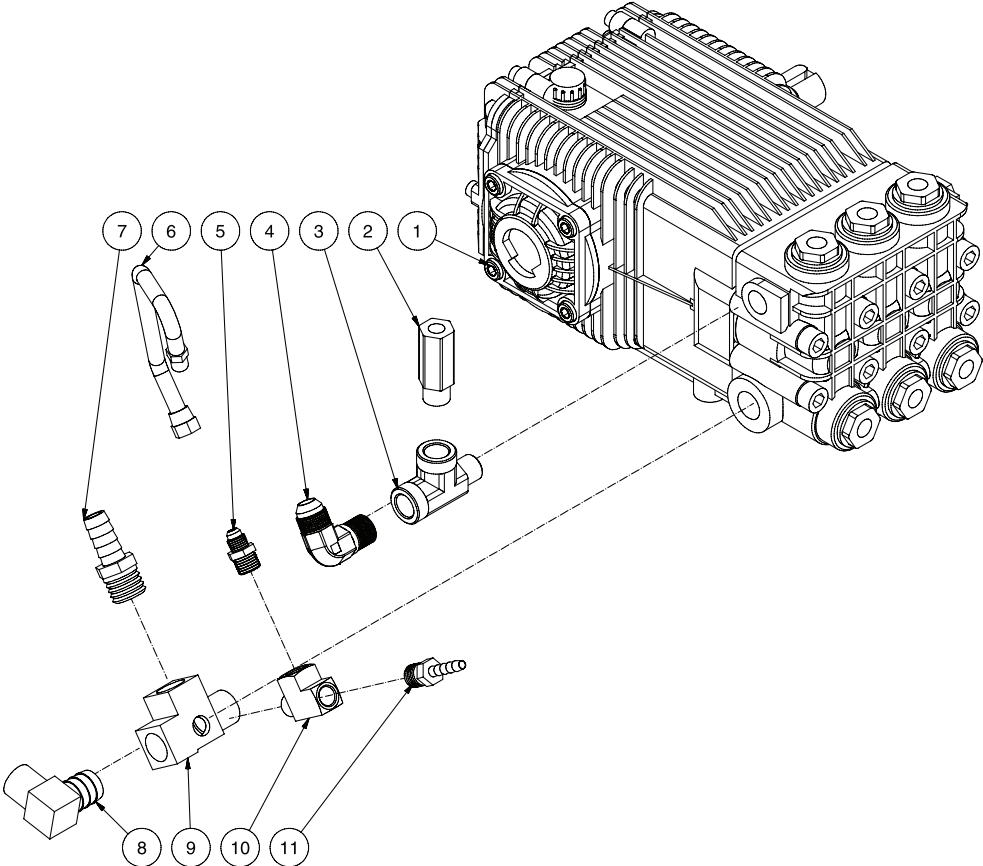


HDS WIRE DIAGRAM STANDARD UNITS 032316 MLK

Options**Description**

HX-0100	300F STEAM (3005/3505)
HX-0102	300F STEAM (3006/3506)
HX-0144	DUAL GUN (3006/3506)
HX-0147	4 POINT LIFTING HOOK
HX-0150	TRAPPING UNLOADER (3005)
HX-0151	TRAPPING UNLOADER (3505)
HX-0152	TRAPPING UNLOADER (3506)
HX-0155	TRAPPING UNLOADER (3006)
HX-0197	STAINLESS STEEL OPTION
HX-0202	DUAL GUN (3008)
HX-0203	KOHLER ENGINE UPGRADE
HX-0227	CLUTCH DRIVEN PUMP (3005)
HX-0228	CLUTCH DRIVEN PUMP (3505)
HX-0261	CLUTCH ASSEMBLY 9.75" (3005/3505)
HX-0262	CLUTCH ASSEMBLY 9.75" (3506)
HX-0263	CLUTCH ASSEMBLY 9.75" (3008)

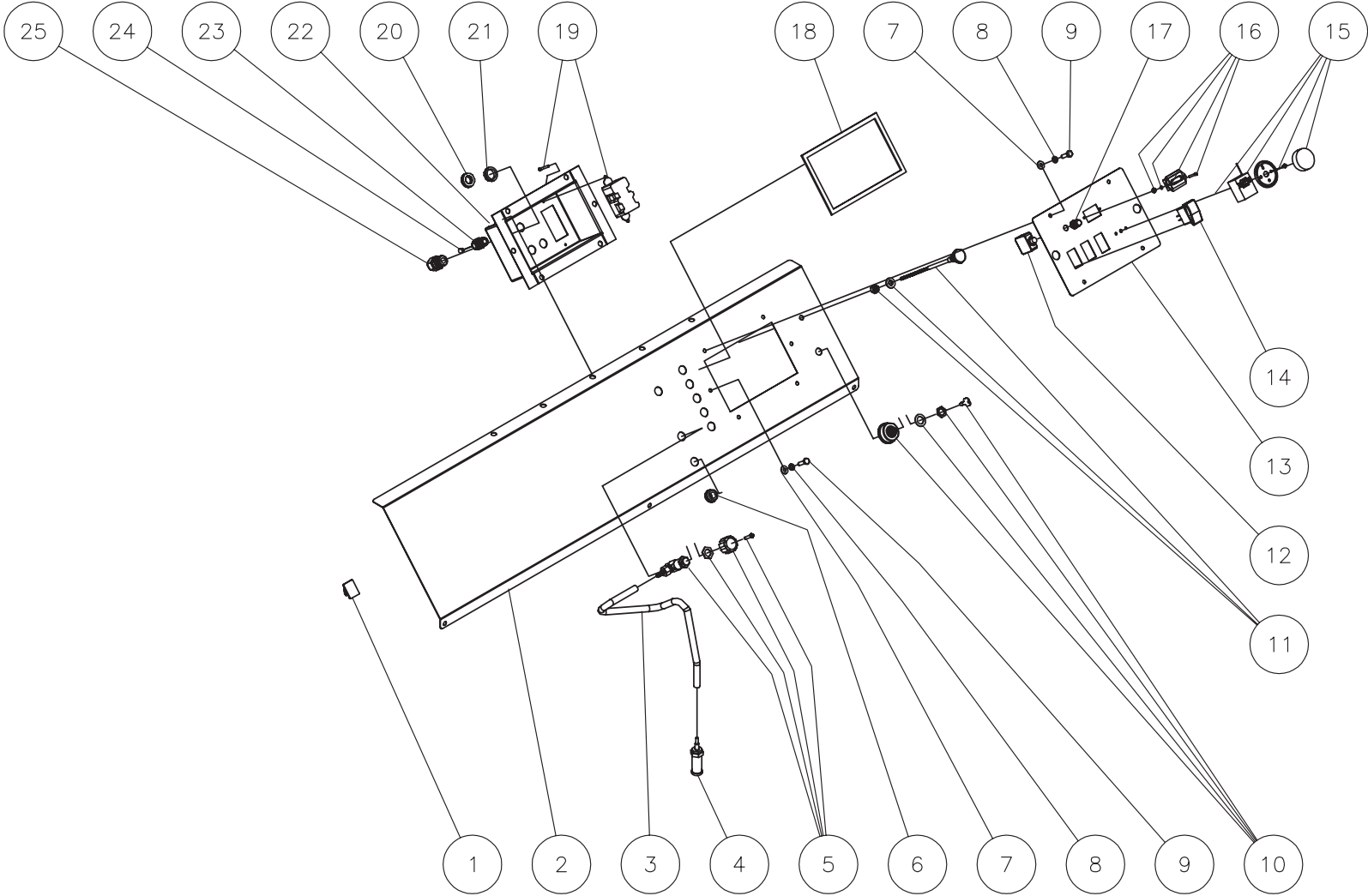
HX-0100 STEAM OPTION AND HX-0150 & HX-0151 & HX-0152 & HX-0155 TRAPPING UNLOADER OPTIONS



HX-0100 STEAM OPTION/HX-0150/
HX-0151/HX-0152/HX-0155-061306-PO

HDS HX-0100 STEAM OPTION/HX-0150/HX-0151/HX-0152/HX-0155 TRAPPING UNLOADER-061306-PO			
HX-0100 STEAM OPTION AND HX-0150 & HX-0151 & HX-0152 & HX-0155 TRAPPING UNLOADER OPTIONS			
REF. #	DESCRIPTION	PART #	QTY.
1	Pump (HDS-3505/3506-0K6A/0V6A)	3-0212	1
-	Pump (HDS-3005-0K6G/0K6G) (HDS-3505/3506-1H6G/0K6G/0V6G)	3-0202	1
2	Easy Start Valve	22-0242	1
3	Street Tee	23-0058	1
4	Elbow	24-0092	1
5	Nipple	23-0247	1
6	Hose	15-0140	1
7	Hose Barb	23-0045	1
8	Elbow	23-0037	1
9	Street Tee	23-0388	1
10	Street Tee	23-0127	1
11	Hose Barb	23-0051	1

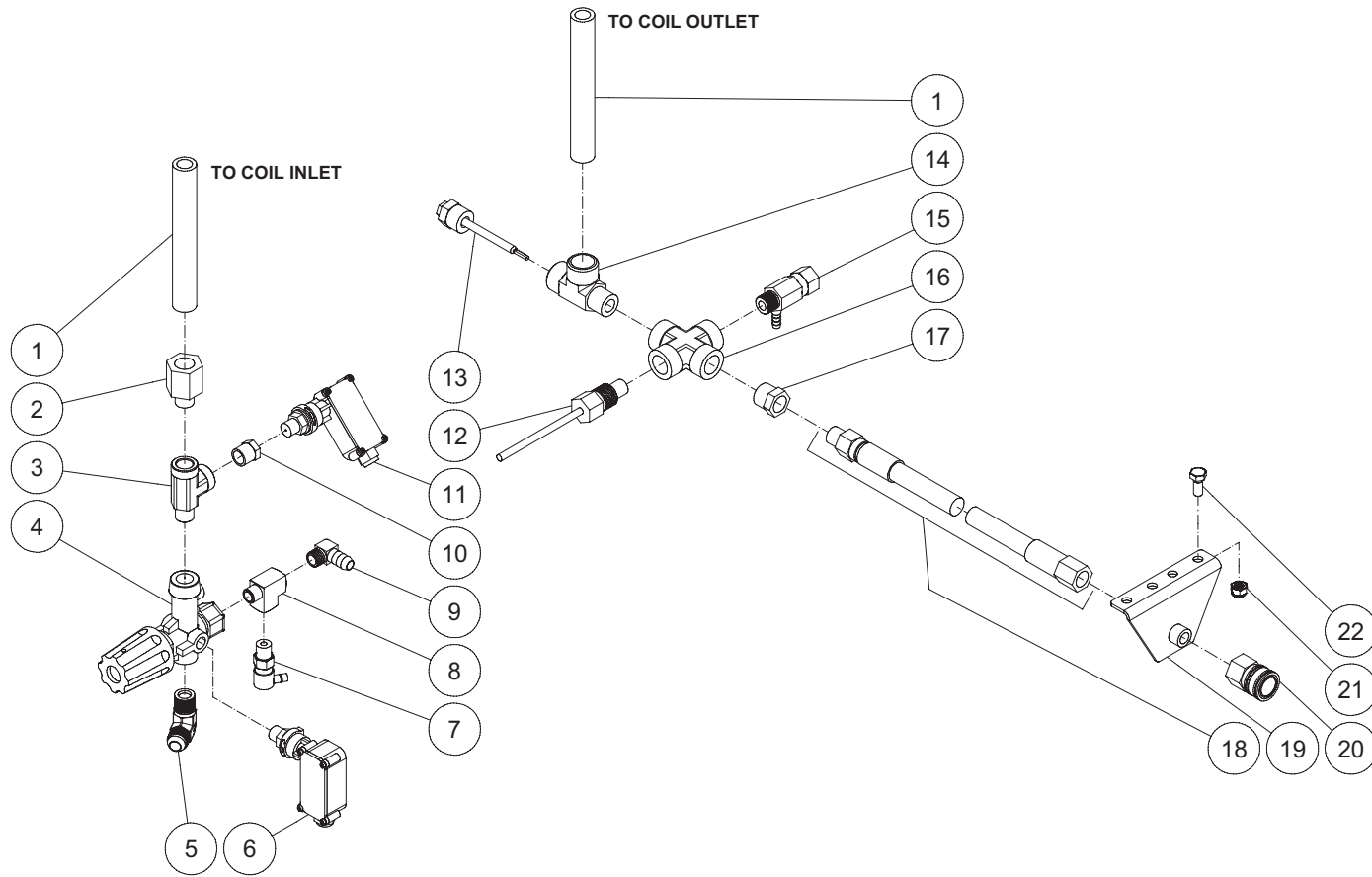
CONTROL PANEL FOR HX-0100 STEAM OPTION



CONTROL PANEL HX-0100 STEAM OPTION-041508 CH

CONTROL PANEL FOR HX-0100 STEAM OPTION							
REF. #	DESCRIPTION	PART #	QTY.	REF. #	DESCRIPTION	PART #	QTY.
1	Wire Clip	33-0264	5	14	Rocker Switch	32-0669	3
2	Control Panel	21-0285	1	15	Adjustable Thermostat	22-0310	1
3	Hose *(Six Feet Required)	15-0021	1	16	Hour Meter	32-0668	1
4	Detergent Strainer w/Check Valve	19-0056	1	17	Circuit Breaker	32-0441	1
5	Detergent Valve	22-0226	1	18	Electric Box Gasket	26-0248	2
6	Grommet	33-0001	6	19	GFCI Outlet	32-0245	1
7	Washer	28-0002	6	20	Locknut	32-0587	3
8	Lockwasher	29-0006	6	21	Locknut	32-0108	2
9	Bolt	27-0016	6	22	Electric Box	20-0582A18	1
10	Key Switch (See Engine Assembly)	N/A Sep.	1	23	Strain Relief	32-0586	3
11	Cable Kill Lever	33-0081	1	24	Strain Relief Plug	32-0708	1
12	Circuit Breaker	32-0438	1	25	Strain Relief	32-0437	2
13	Electric Panel	21-0147	1	*Must Order in One Foot Lengths			

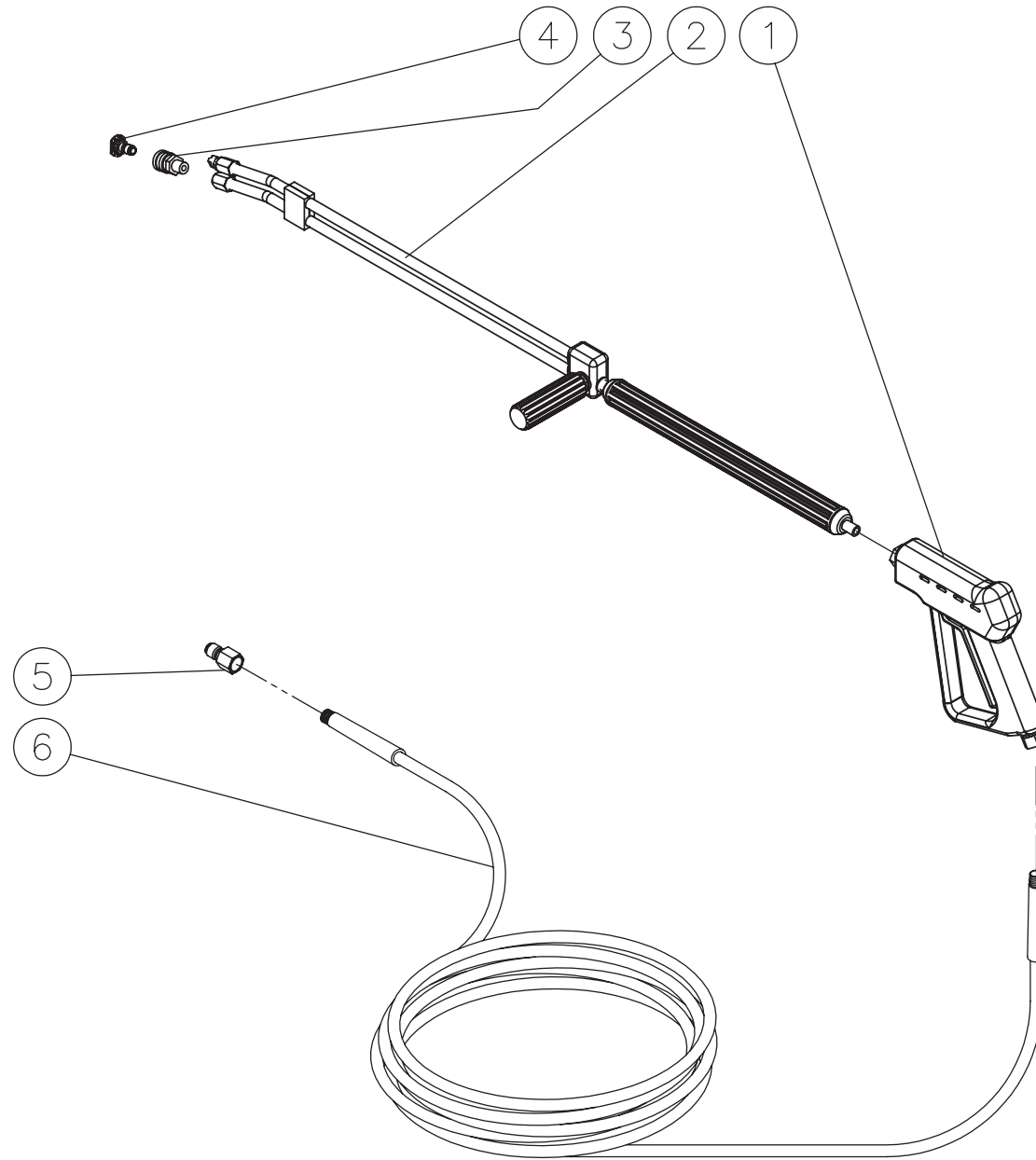
HEAT EXCHANGER ASSEMBLY FOR HX-0100 STEAM OPTION



HDS HEAT EXCHANGER ASSY FOR HX-0100 STEAM OPTION 022117 CH

HDS HEAT EXCHANGER ASSY FOR HX-0100 STEAM OPTION 022117 CH			
HEAT EXCHANGER ASSEMBLY FOR HX-100 STEAM OPTION			
ITEM	DESCRIPTION	PART #	QTY
1	PIPE NIPPLE	24-0254	2
2	REDUCER	24-0048	1
3	STREET TEE	23-0058	1
4	UNLOADER	850-0267	1
5	ELBOW	24-0092	1
6	PRESSURE SWITCH	22-0171	1
7	HEAT DUMP VALVE	22-0408	1
8	TEE	23-0127	1
9	ELBOW	23-0119	1
10	REDUCER	23-0017	1
11	PRESSURE SWITCH	22-0243	1
12	HI-LIMIT SWITCH	32-0667	1
13	ADJUSTABLE THERMOSTAT	22-0310	1
14	STREET TEE	24-0242	1
15	SAFETY RELIEF VALVE	22-0309	1
16	CROSS	24-0241	1
17	REDUCER BUSHING	23-0016	1
18	HP HOSE	15-0202	1
19	WATER OUTLET BRACKET	13-0199A18	1
20	QC SOCKET	17-0004	1
21	LOCKNUT	30-0157	2
22	BOLT	27-0066	2

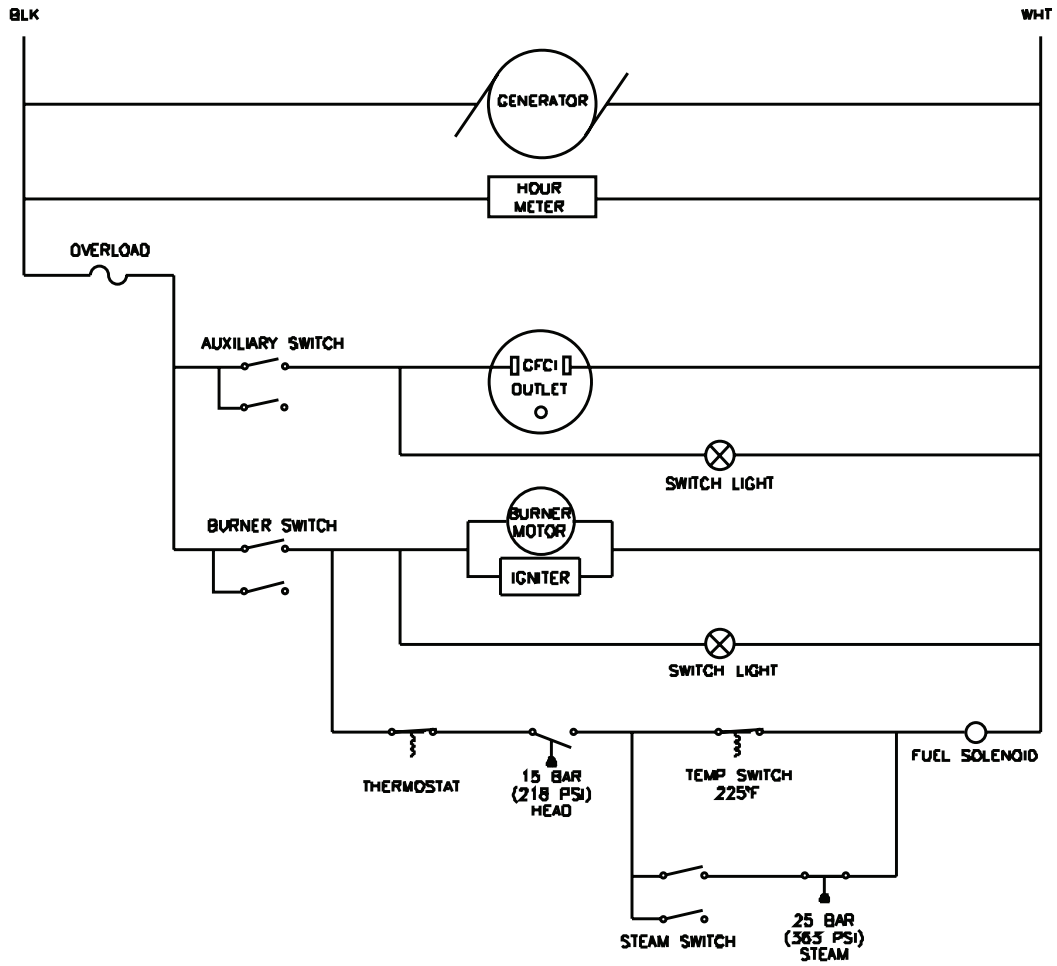
GUN/WAND/HOSE ASSEMBLY FOR HX-0100 HX-0102 STEAM OPTION (AFTER SERIAL #15023975)



HDS GUN WAND HOSE ASSEMBLY HX-0100 & HX-0102 STEAM OPTION 022117 CH

HDS GUN WAND HOSE ASSY HX-0100 STEAM OPTION-022117 CH			
GUN/WAND/HOSE ASSEMBLY FOR HX-0100 STEAM OPTION (AFTER SERIAL #15023975)			
REF. #	DESCRIPTION	PART #	QTY.
1	Gun Assembly	16-0446	1
2	Lance Extension Assembly	16-0417	1
3	Quick Connect Socket	17-0028	1
-	Quick Connect Socket (HDS-3006)	17-0017	3
4	Nozzle- 0005 (HDS-3505)	18-0406	1
-	Nozzle- 1505 (HDS-3505)	18-0407	1
-	Nozzle- 2505 (HDS-3005/3505)	18-0408	1
-	Nozzle- 4005 (HDS-3505)	18-0409	1
-	Nozzle- 0005.5 (HDS-3005)	18-0410	1
-	Nozzle- 1505.5 (HDS-3005)	18-0411	1
-	Nozzle- 2505.5 (HDS-3506)	18-0412	1
-	Nozzle- 4005.5 (HDS-3005)	18-0413	1
-	Nozzle- 0006 (HDS-3506)	18-0414	1
-	Nozzle- 1506 (HDS-3506)	18-0415	1
-	Nozzle- 4006 (HDS-3506)	18-0417	1
-	Nozzle- 0006.5 (HDS-3006)	18-0328	1
-	Nozzle- 1506.5 (HDS-3006)	18-0329	1
-	Nozzle- 2506 (HDS-3006)	18-0416	1
-	Nozzle- 4006.5 (HDS-3006)	18-0331	1
-	Nozzle- Steam (HDS-3006/3506)	850-0437	1
-	Steam Nozzle Assembly (HDS-3005/3505)	850-0277	1
5	Quick Connect Plug	17-0006	1
-	Quick Connect Plug	17-0017	1
6	High Pressure Hose Assembly	15-0077	1
7	Steam Nozzle Holder	23-0350	1

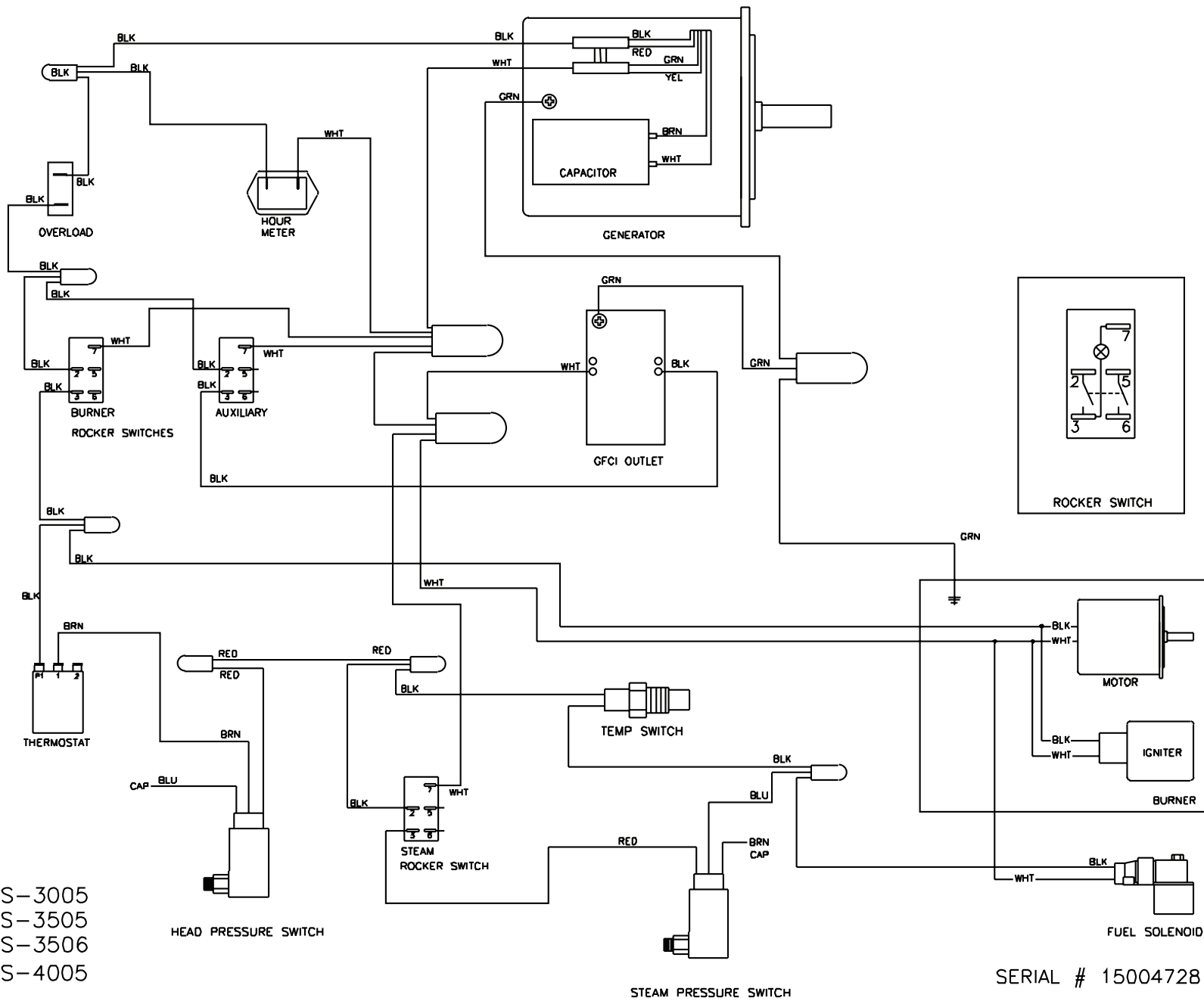
WIRING SCHEMATIC HX-0100 STEAM OPTION



SERIAL # 15004728

WIRE SCHEMATIC HX-0100 STEAM OPTION-080702-KZ

WIRING DIAGRAM HX-0100 STEAM OPTION

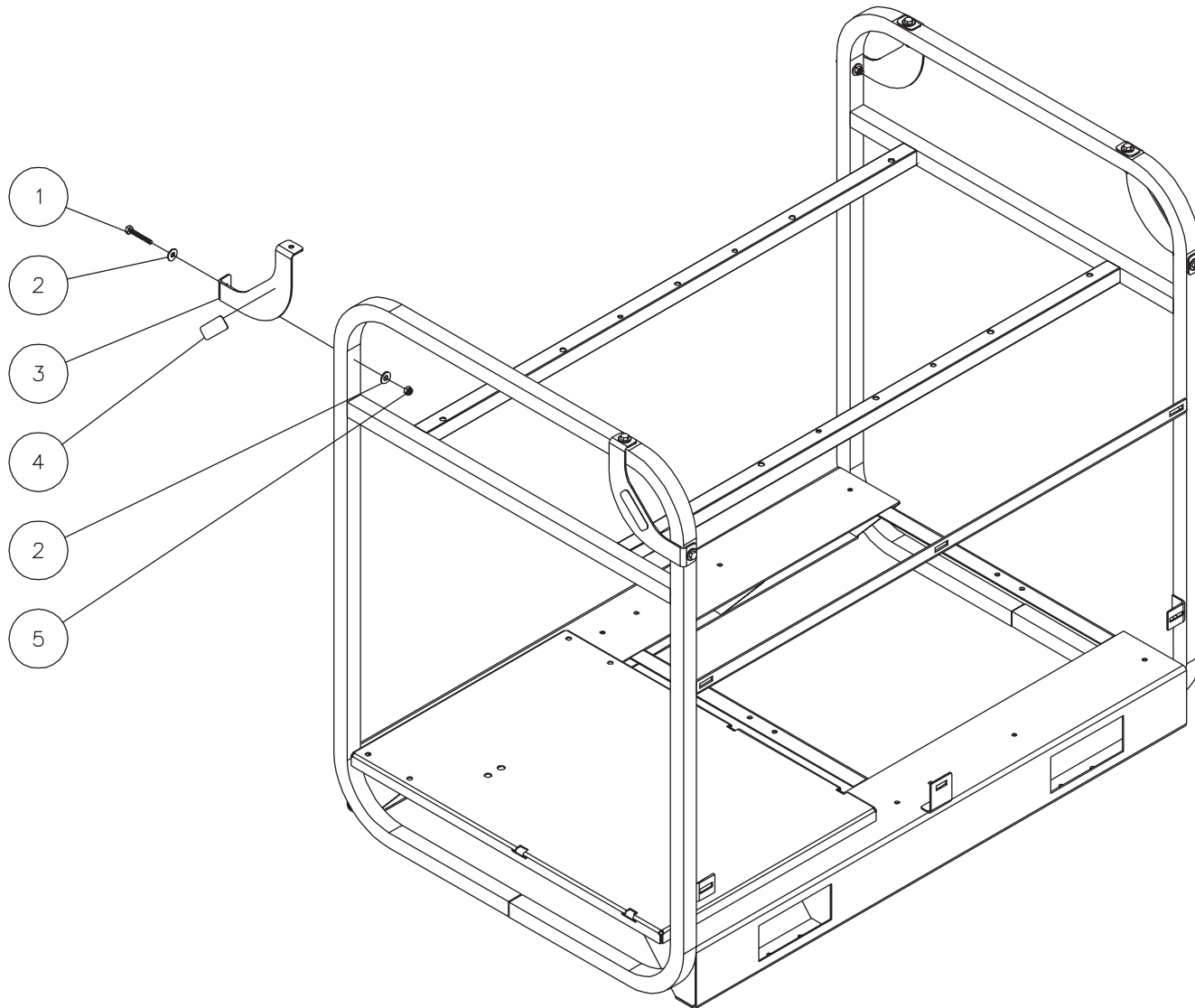


WIRE DIAGRAM HX-0100 STEAM OPTION-080702-KZ

HDS-3005
HDS-3505
HDS-3506
HDS-4005

SERIAL # 15004728

LIFTING HOOK OPTION (HX-0147)

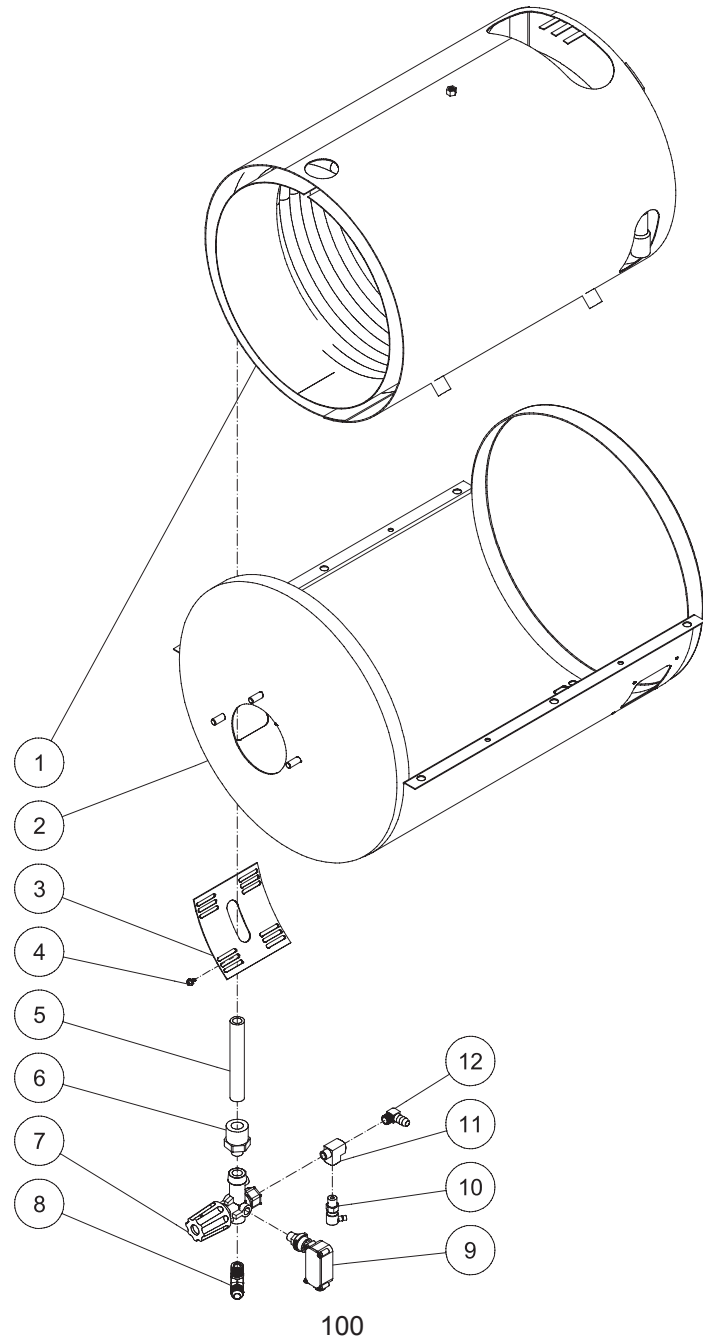


LIFTING HOOK OPTION-071 502-BA8

HDS LIFTING HOOK OPTION-071502-BAR

LIFTING HOOK OPTION (HX-0147)			
REF. #	DESCRIPTION	PART #	QTY.
1	Bolt	27-0071	8
2	Washer	28-0022	16
3	Lift Bracket	20-0665A18	4
4	Decal- Lift (See 34-9000)	N/A Sep.	4
5	Locknut	30-0157	8
	Safety Decal Kit (Includes 4)	34-9000	

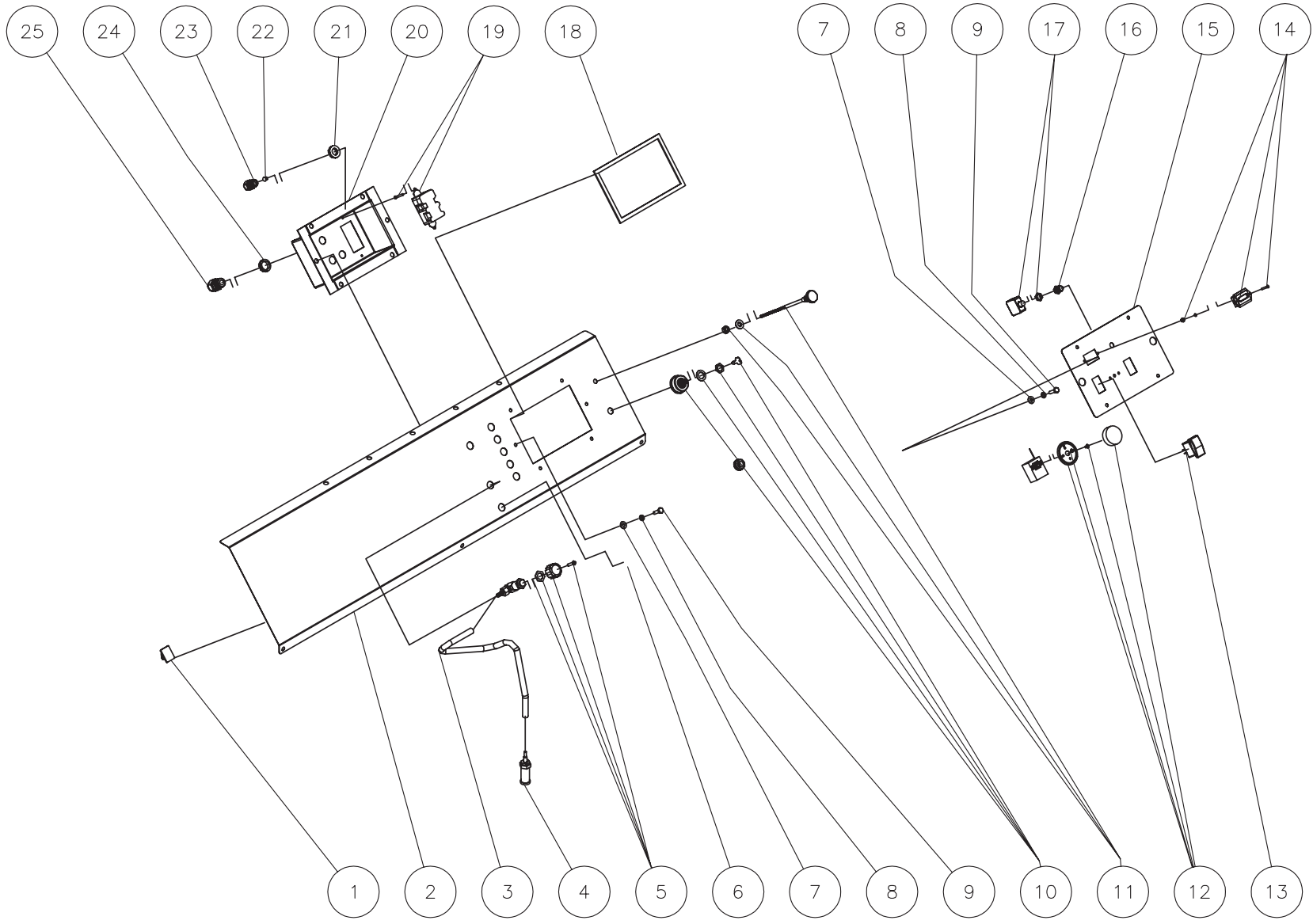
HEAT EXCHANGER ASSEMBLY FOR HX-0150 & HX-0151 & HX-0152 & HX-0155 TRAPPING UNLOADER OPTION



HDS HEAT EXCHANGER ASSY HX-0150/HX-0151/HX-0152/
HX-0155 TRAPPING UNLOADEROPTION-072216-CH

HEAT EXCHANGER ASSY TRAPPING UNLOADER OPTION HX-150, HX-151, HX-152, HX-155 072216 CH			
HEAT EXCHANGER ASSEMBLY TRAPPING UNLOADER OPTION			
ITEM	DESCRIPTION	PART #	QTY
1	COIL	66-0014	1
2	BOTTOM WRAP	21-0145	1
3	PATCH PLATE	20-0537A18	1
4	BOLT	27-3062	4
5	PIPE NIPPLE	24-0254	1
6	REDUCER	24-0048	1
7	UNLOADER	850-0252	1
8	ELBOW	24-0092	1
9	PRESSURE SWITCH	22-0243	1
10	HEAT DUMP VALVE	22-0408	1
11	TEE	23-0127	1
12	ELBOW	23-0119	1

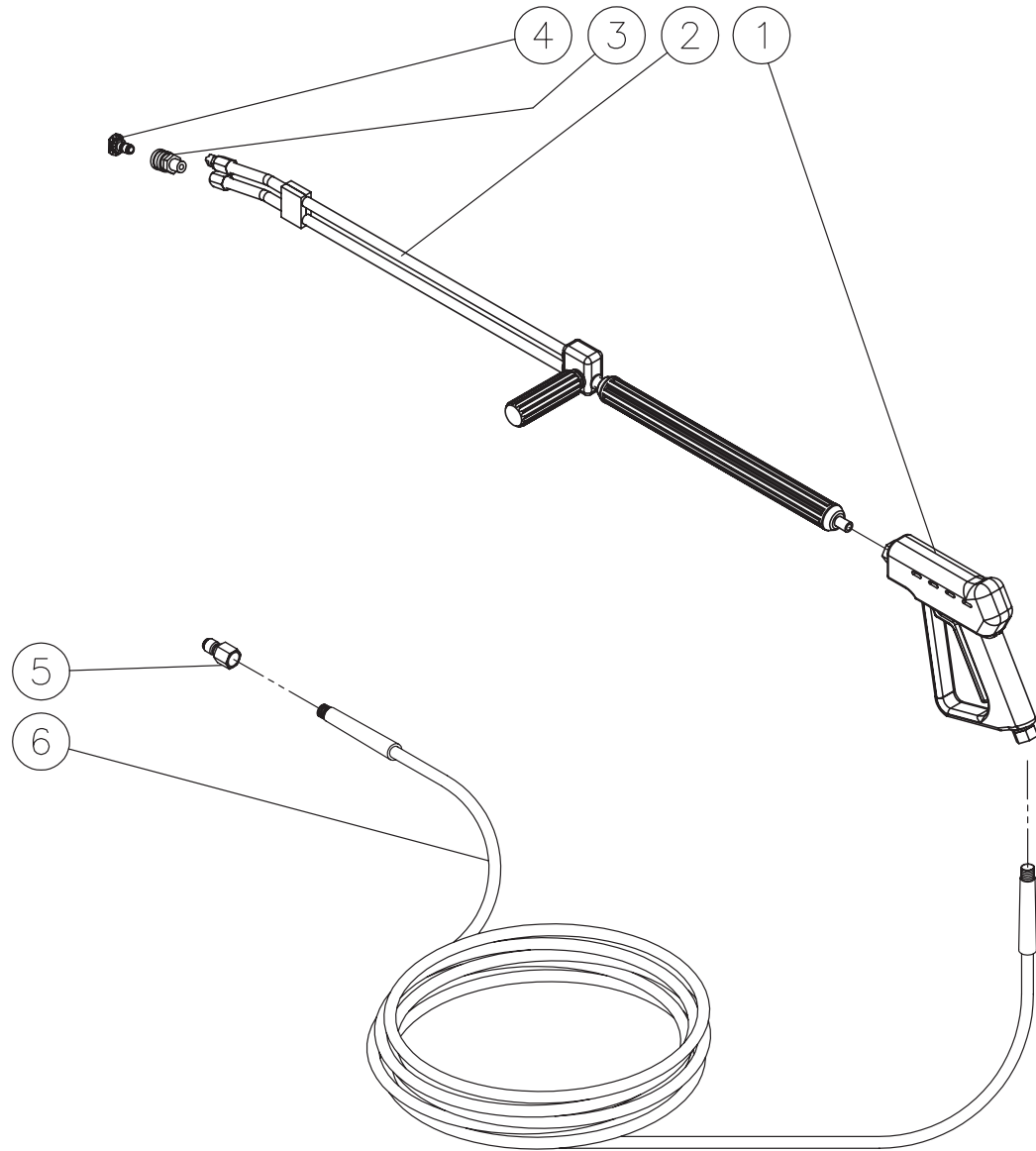
CONTROL PANEL FOR HX-0150 & HX-0151 & HX-0152 & HX-0155 TRAPPING UNLOADER OPTION



HDS CONTROL PANEL HX-150/HX-0151/
HX-0152/HX-0155 OPTION-082809-CH

CONTROL PANEL FOR HX-0150 & HX-0151 & HX-0152 & HX-0155 TRAPPING UNLOADER OPTION							
REF. #	DESCRIPTION	PART #	QTY.	REF. #	DESCRIPTION	PART #	QTY.
1	Wire Clip	33-0264	5	14	Hour Meter	32-0668	1
2	Control Panel	21-0285	1	15	Electric Box Panel	21-0144	1
3	Hose *(Six Feet Required)	15-0021	1	16	Circuit Breaker Boot	32-0441	1
4	Detergent Strainer w/Check Valve	19-0056	1	17	Circuit Breaker	32-0438	1
5	Detergent Valve	22-0226	1	18	Electric Box Gasket	26-0248	2
6	Grommet	33-0001	6	19	GFCI Outlet	32-0245	1
7	Washer	28-0002	6	20	Electric Box	20-0582A18	1
8	Lockwasher	29-0006	6	21	Locknut	32-0587	3
9	Bolt	27-0016	6	22	Strain Relief Plug	32-0708	1
10	Key Switch (See Engine Assembly)	N/A Sep.	1	23	Strain Relief	32-0586	3
11	Cable Kill Lever	33-0081	1	24	Locknut	32-0108	2
12	Adjustable Thermostat	32-0962	1	25	Strain Relief	32-0437	2
13	Rocker Switch	32-0669	2	*Must Order in One Foot Lengths			

GUN/WAND/HOSE ASSEMBLY FOR HX-0150 & HX-0151 & HX-0152 & HX-0155 TRAPPING UNLOADER OPTION (AFTER SERIAL #15023975)

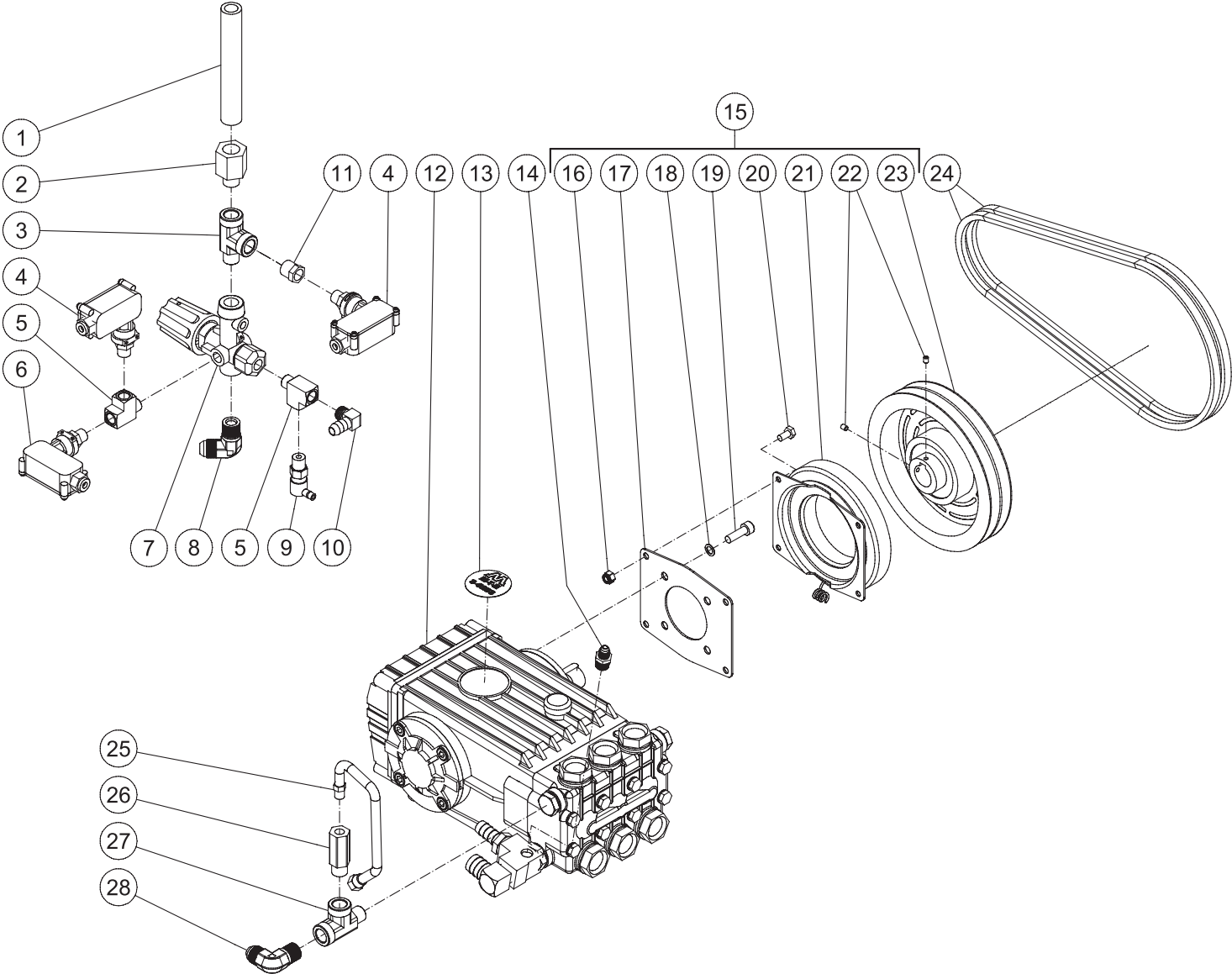


HDS GUN WAND HOSE ASSEMBLY HX-0150_HX-0151_HX-0152_HX-0155 022117 CH

HDS GUN WAND HOSE ASSY HX-0150/HX-0151/HX-0152_HX-0155 OPTION-022117-CH			
GUN/WAND/HOSE ASSEMBLY FOR HX-0150 & HX-0151 & HX-0152 & HX-0155 TRAPPING UNLOADER OPTION (AFTER SERIAL #15023975)			
REF. #	DESCRIPTION	PART #	QTY.
1	Gun Assembly	16-0446	1
2	Lance Extension Assembly	16-0417	1
3	Quick Connect Socket	17-0028	1
-	Quick Connect Socket (HDS-3006)	17-0017	3
4	Nozzle- 2504 (HX-0151/HX-0152/HX-0150/HX-0155)	18-0400	1
-	Nozzle- 1505 (HDS-3505)	18-0407	1
-	Nozzle- 0005 (HDS-3505)	18-0406	1
-	Nozzle- 4005 (HDS-3505)	18-0409	1
-	Nozzle- 0005.5 (HDS-3005)	18-0410	1
-	Nozzle- 1505.5 (HDS-3005)	18-0411	1
-	Nozzle- 4005.5 (HDS-3005)	18-0413	1
-	Nozzle- 0006 (HDS-3506)	18-0414	1
-	Nozzle- 1506 (HDS-3506)	18-0415	1
-	Nozzle- 4006 (HDS-3506)	18-0417	1
-	Nozzle- 0006.5 (HDS-3006)	18-0328	1
-	Nozzle- 1506.5 (HDS-3006)	18-0329	1
-	Nozzle- 4006.5 (HDS-3006)	18-0331	1
5	Quick Connect Plug	17-0006	1
6	High Pressure Hose Assembly	15-0166	1

HX-0227_HX-0229_HX-0257 HDS 021015 MLK			
OPTION/CLUTCH			
ITEM	DESCRIPTION	PART #	QTY
1	PIPE NIPPLE	24-0246	1
2	REDUCER	24-0048	1
3	STREET TEE	23-0058	1
4	PRESSURE SWITCH	22-0243	2
5	TEE	23-0127	2
6	PRESSURE SWITCH	22-0171	1
7	UNLOADER	850-0252	1
8	ELBOW	24-0092	1
9	HEAT DUMP VALVE	22-0408	1
10	ELBOW	23-0119	1
11	REDUCER	23-0017	1
12	PUMP	3-0203	1
13	DECAL - PUMP	34-2290	1
14	NIPPLE	23-0247	1
15	CLUTCH	10-0156	1
16	LOCKNUT	30-0155	4
17	CLUTCH MOUNTING PLATE	N/A	1
18	LOCKWASHER	29-0154	4
19	BOLT	27-8194	4
20	BOLT	27-0014	4
21	CLUTCH	N/A	1
22	SET SCREW	27-8895	2
23	SHEAVE	N/A	1
24	BELT	11-0023	2
25	EASY START HOSE	15-0140	1
26	EASY START VALVE	22-0242	1
27	TEE	23-0058	1
28	ELBOW	24-0092	1
-	NOZZLE 00050 QC	18-0406	1
-	NOZZLE 15050 QC	18-0407	1
-	NOZZLE 25040 QC	18-0400	1
-	NOZZLE 40050 QC	18-0409	1

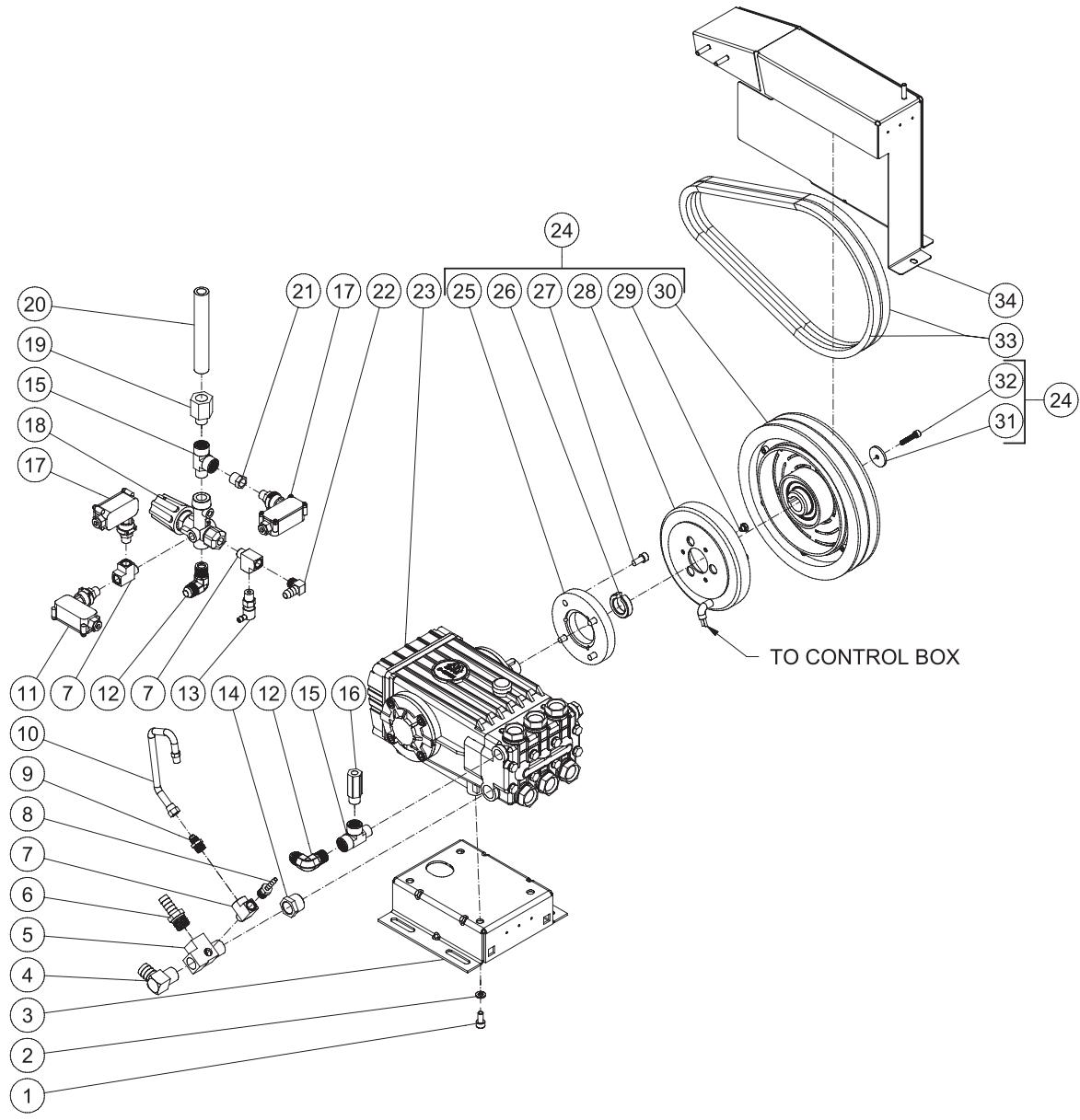
OPTION / CLUTCH DRIVE HDS-3505 (HX-0228)



HX-0228 HX-0230 HX-0258 OPTION_
CLUTCH 012315 MLK

HX-0228_HX-0230_HX-0258 012315 MLK			
OPTION/CLUTCH			
ITEM	DESCRIPTION	PART #	QTY
1	PIPE NIPPLE	24-0246	1
2	REDUCER	24-0048	1
3	STREET TEE	23-0058	1
4	PRESSURE SWITCH	22-0243	2
5	TEE	23-0127	2
6	PRESSURE SWITCH	22-0171	1
7	UNLOADER	850-0252	1
8	ELBOW	24-0092	1
9	HEAT DUMP VALVE	22-0408	1
10	ELBOW	23-0119	1
11	REDUCER	23-0017	1
12	PUMP	3-0203	1
13	DECAL - PUMP	34-2290	1
14	NIPPLE	23-0247	1
15	CLUTCH	10-0156	1
16	LOCKNUT	30-0155	4
17	CLUTCH MOUNTING PLATE	N/A	1
18	LOCKWASHER	29-0154	4
19	BOLT	27-8194	4
20	BOLT	27-0014	4
21	CLUTCH	N/A	1
22	SET SCREW	27-8895	2
23	SHEAVE	N/A	1
24	BELT	11-0023	2
25	EASY START HOSE	15-0140	1
26	EASY START VALVE	22-0242	1
27	TEE	23-0058	1
28	ELBOW	24-0092	1
			1
-	NOZZLE 00045 QC	18-0402	1
-	NOZZLE 15045 QC	18-0403	1
-	NOZZLE 25040 QC	18-0400	1
-	NOZZLE 40045 QC	18-0405	1

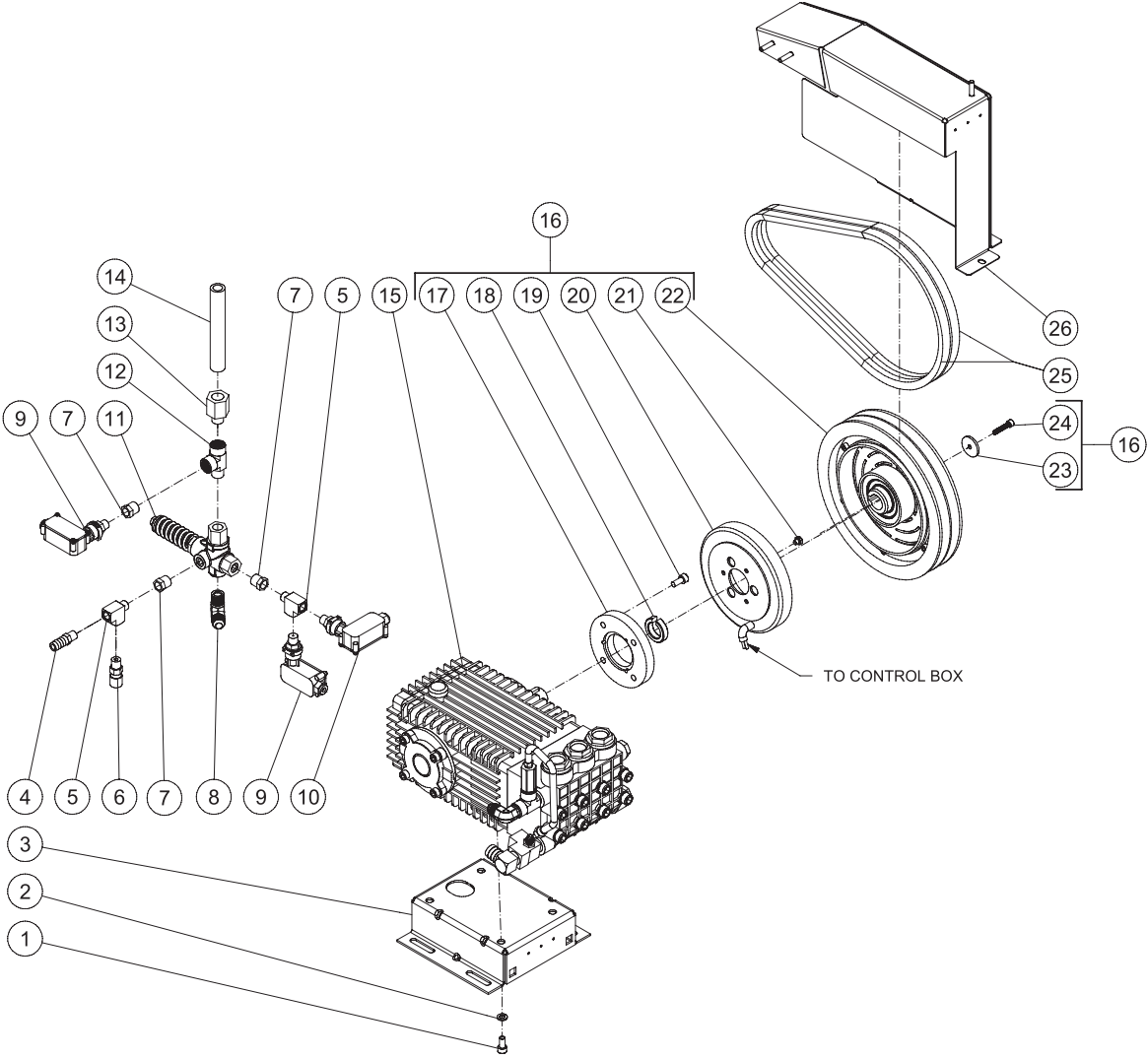
OPTION / CLUTCH DRIVE 9.75" HDS-3005 & HDS-3505 (HX-0261), HDS-3506 (HX-0262), HDS-3008 (HX-0263)



HX-0261, 0262, 0263, 0266 - HDS_HDC 041116 MLK

HX-0261, 0262, 0263 HDS 041116			
OPTION / CLUTCH 9.75"			
ITEM	DESCRIPTION	PART #	QTY
1	BOLT	27-8884	4
2	LOCKWASHER	29-0054	4
3	PUMP HAT	5-0364A18	1
4	ELBOW	23-0037	1
5	STREET TEE	23-0388	1
6	BARB	23-0045	1
7	TEE	23-0127	3
8	BARB	23-0051	1
9	UNION	23-0247	1
10	EASY START HOSE	15-0140	1
11	PRESSURE SWITCH	22-0171	1
12	ELBOW	24-0092	2
13	HEAT DUMP VALVE	22-0408	1
14	BUSHING	23-0023	1
15	STREET TEE	23-0058	2
16	EASY START VALVE	22-0242	1
17	PRESSURE SWITCH	22-0243	2
18	UNLOADER	850-0252	1
19	REDUCER	24-0048	1
20	PIPE NIPPLE	24-0246	1
21	REDUCER	23-0017	1
22	ELBOW	23-0119	1
23	PUMP	N/A SEP.	1
24	CLUTCH ASSEMBLY	10-0167	1
25	PLATE	N/A	1
27	BOLT	27-8433	4
26	SPACER	N/A	1
28	COIL	N/A	1
29	SCREW	N/A	3
31	FENDER WASHER	N/A	1
32	BOLT	27-8404	1
30	PULLEY ASSEMBLY	N/A	1
33	BELT	11-0052	2
34	BELTGUARD (CLUTCH OPTION)	6-0184A18	1
-	NOZZLE 25040 QC (NOT SHOWN)	18-0400	1
-	ENGINE SHEAVE (3506) (NOT SHOWN)	10-0011	1
-	ALTERNATOR SHEAVE (3506) (NOT SHOWN)	10-0039	1
-	ALTERNATOR BELT (3506) (NOT SHOWN)	11-0100	1

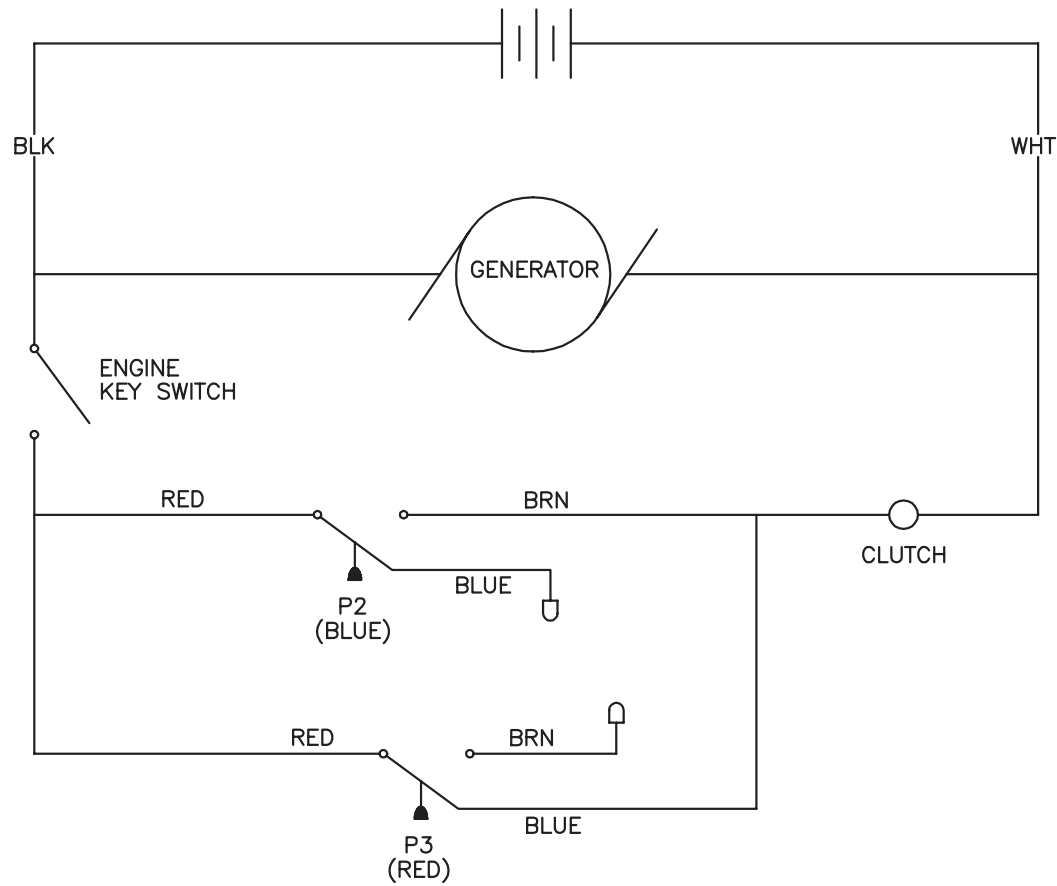
OPTION / CLUTCH DRIVE 9.75" HDS-4005 (HX-0263)



HX-0263 HDS_HVS-4005 030716 MLK

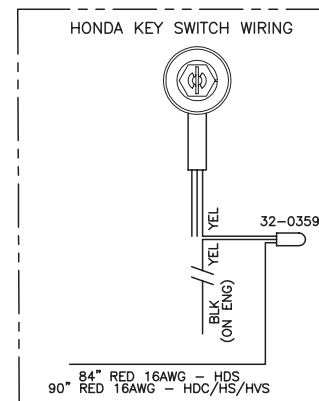
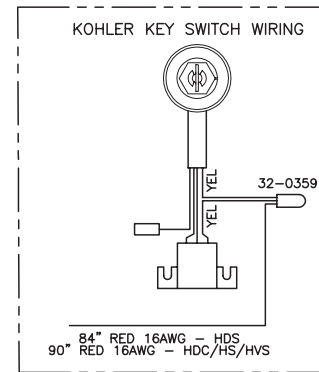
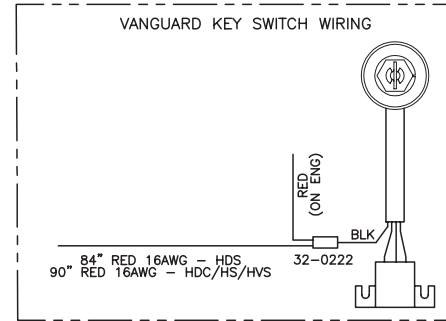
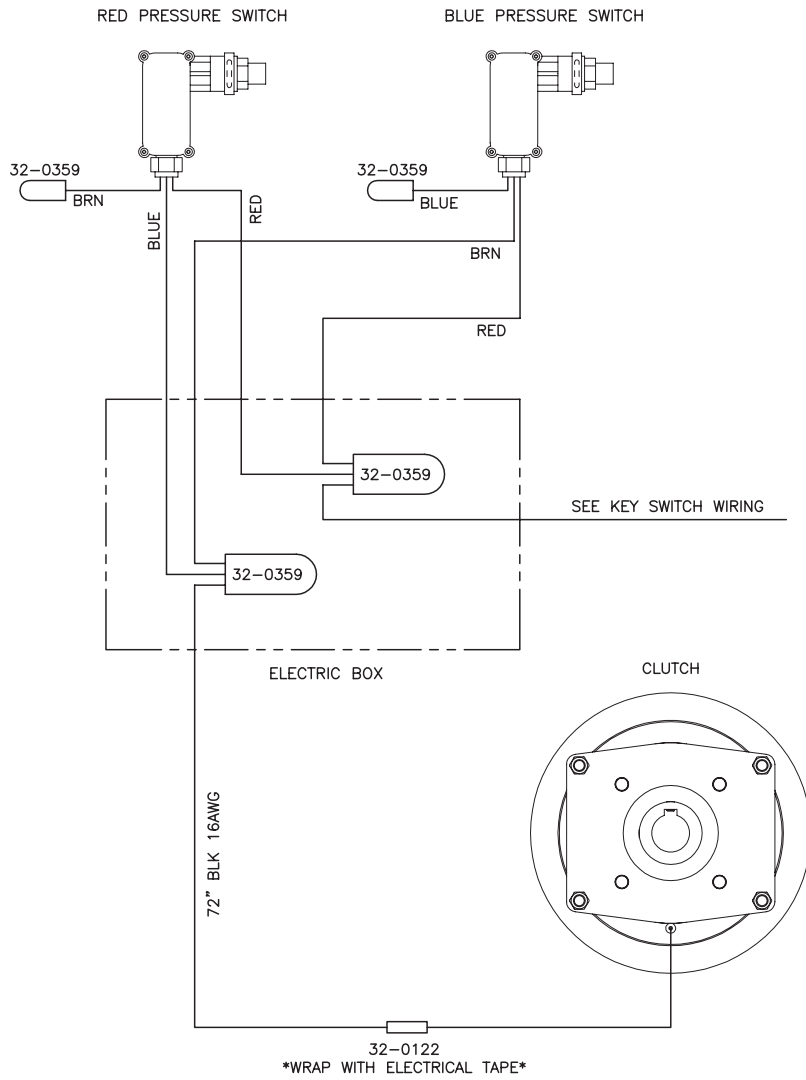
HX-0263 HDS_HVS-4005 030716 MLK			
OPTION / CLUTCH 9.75"			
ITEM	DESCRIPTION	PART #	QTY
1	BOLT	27-8884	4
2	LOCKWASHER	29-0054	4
3	PUMP HAT	5-0364A18	1
4	HOSE BARB	23-0120	1
5	TEE	23-0127	2
6	HEAT DUMP VALVE	22-0408	1
7	REDUCER	23-0017	3
8	ELBOW	24-0092	1
9	PRESSURE SWITCH	22-0243	2
10	PRESSURE SWITCH	22-0171	1
11	UNLOADER	8-0634	1
12	STREET TEE	23-0058	1
13	REDUCER	24-0048	1
14	PIPE NIPPLE	24-0246	1
15	PUMP ASSEMBLY	N/A SEP.	1
16	CLUTCH ASSEMBLY	10-0167	1
17	PLATE	N/A SEP.	1
18	SPACER	N/A SEP.	1
19	BOLT	27-8433	4
20	COIL	N/A SEP.	1
21	SCREW	N/A SEP.	3
22	PULLEY ASSEMBLY	N/A SEP.	1
23	FENDER WASHER	N/A SEP.	1
24	BOLT	27-8404	1
25	BELT	11-0052	2
26	BELTGUARD (CLUTCH OPTION)	6-0184A18	1

WIRE SCHEMATIC (HX-0227 AND HX-0228)



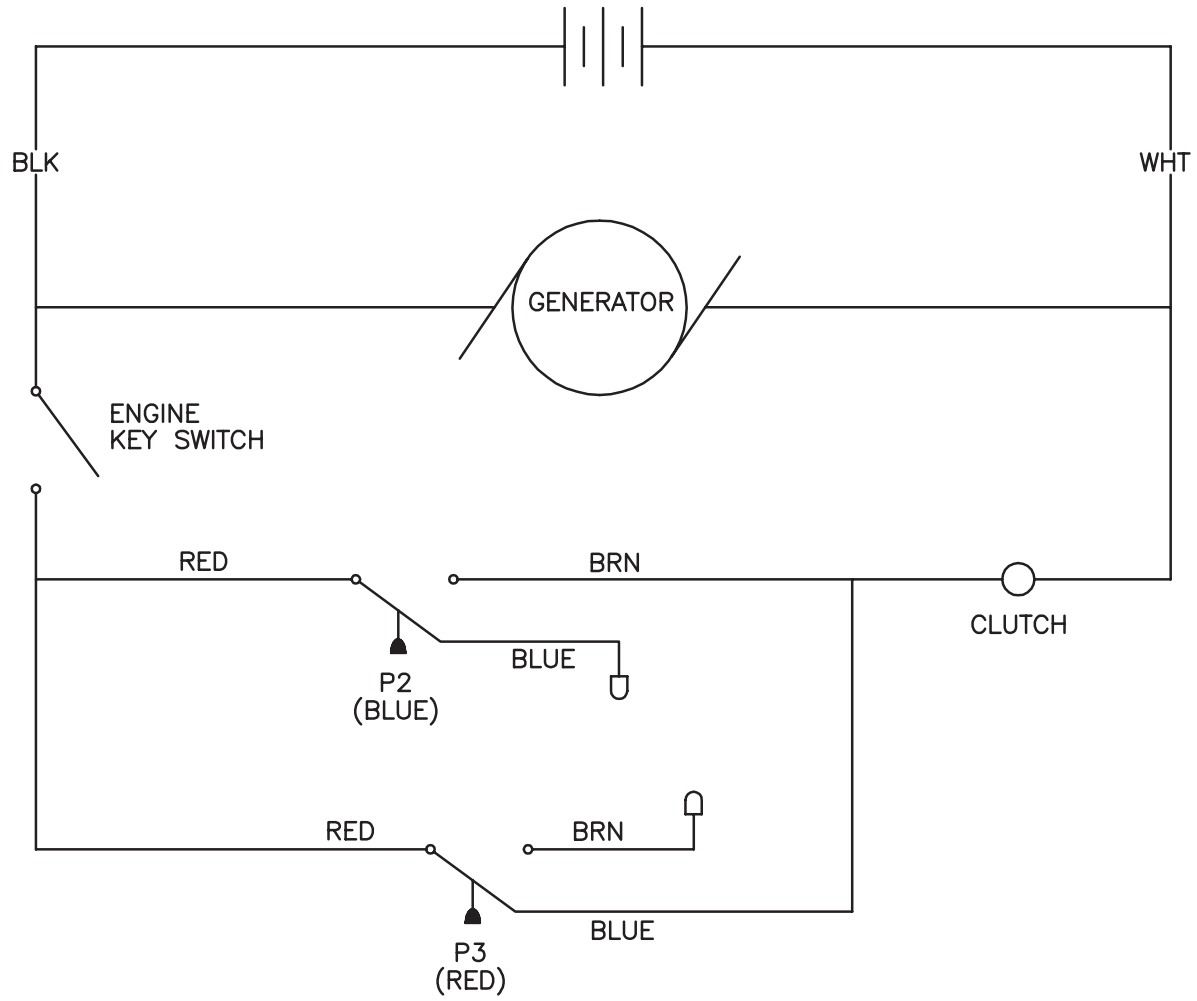
WIRE SCHEMATIC (HX-0227 AND HX-0228) 111511 CH

WIRE DIAGRAM (HX-0227 AND HX-0228)



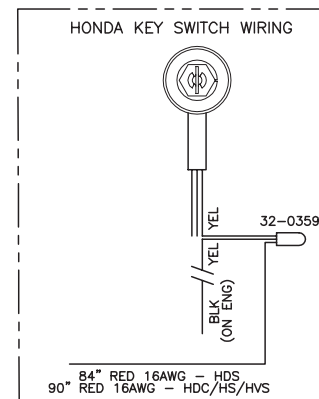
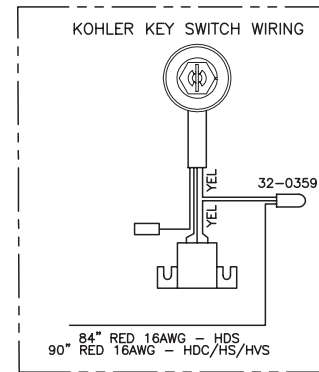
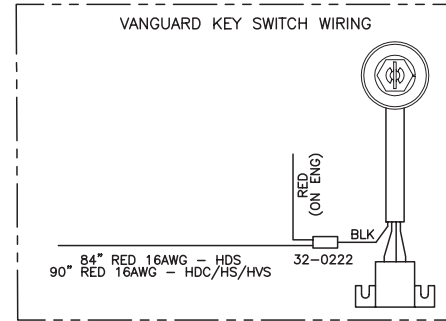
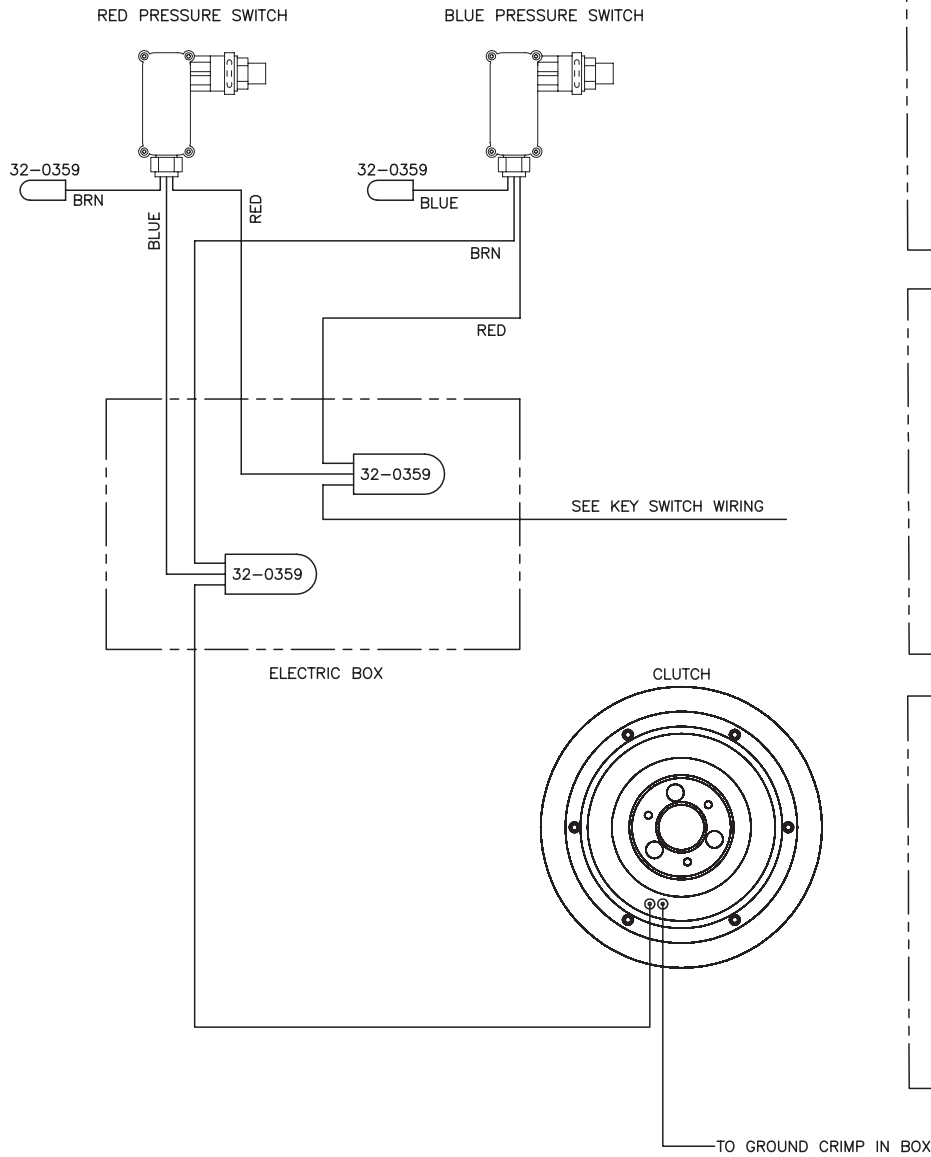
WIRE DIAGRAM (HX-0227 AND HX-0228) 111511 CH

WIRE SCHEMATIC (HX-0261, HX-0262, HX-0263, HX-0264, HX-0265)



WIRING SCHEMATIC HX-0261_0262_0263_0264_0265 032316 MLK

WIRE DIAGRAM (HX-0261, HX-0262, HX-0263, HX-0264, HX-0265)



WIRING DIAGRAMHX-0261_0262_0263_0264_0265 032316 MLK

Manufactured by Mi-T-M
50 Mi-T-M Drive, Peosta IA 52068
563-556-7484/ Fax 563-556-1235